

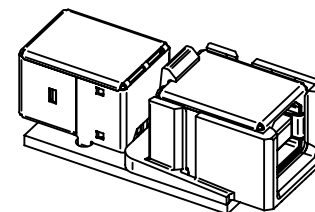
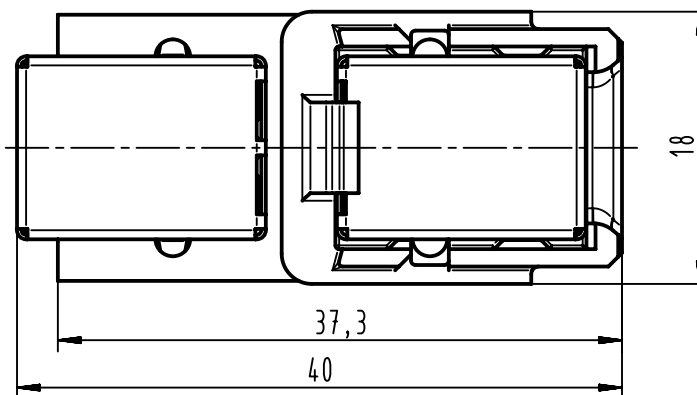
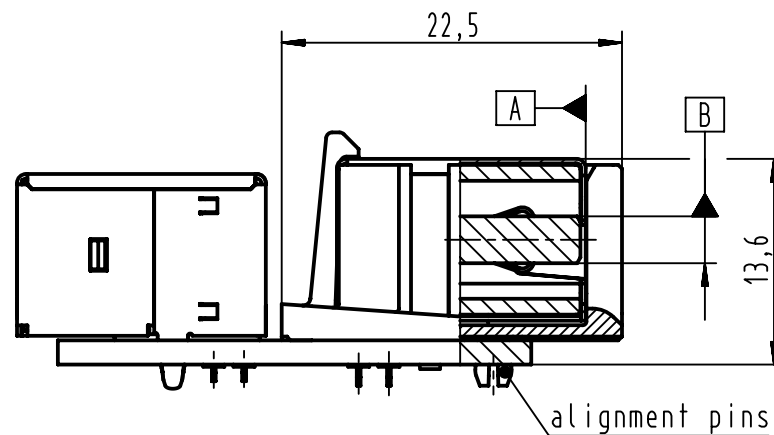
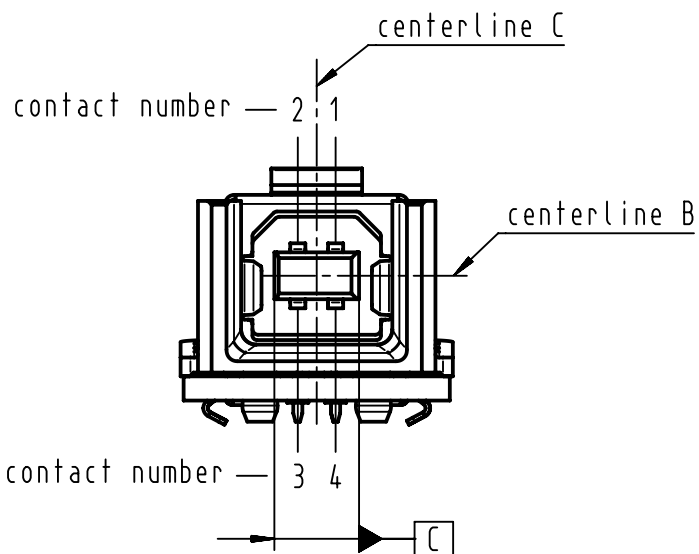
1 2 3 4 5 6

A

B

C

D



loading-plan

V Bus	(1)	————	(1)
D-	(2)	————	(2)
D+	(3)	————	(3)
GND	(4)	————	(4)
Shield (Shell)		————	(Shell)

References A, B and C
acc. to USB specification 2.0
www.usb.org

1 dimensions of the panel feed through and further information see: DS 09456230201

	All rights reserved Department EC PD - DE	All Dimensions in mm Original Size DIN A4		Scale 2:1	Free size tol.	Ref. Sub. TB 09 45 541 1906 v. 05.04.2012	
		Created by LUETTERMANN	Inspected by LUETTERMANN	Standardisation KOHLER	Date 2013-10-08	State Final Release	
HARTING Electronics GmbH D-32339 Espelkamp		Title HPP V4 USB 2.0 PCB, 2x USB B-B				Doc-Key / ECM-Nr. 100228542/UGD/004/B 500000066988	
		Type TB	Number 09455411906			Rev. B	Page 1/1