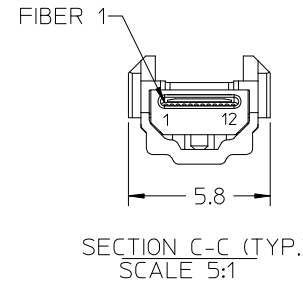
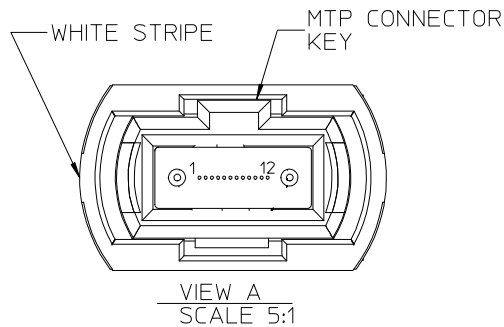
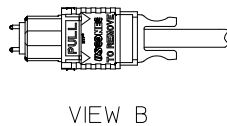
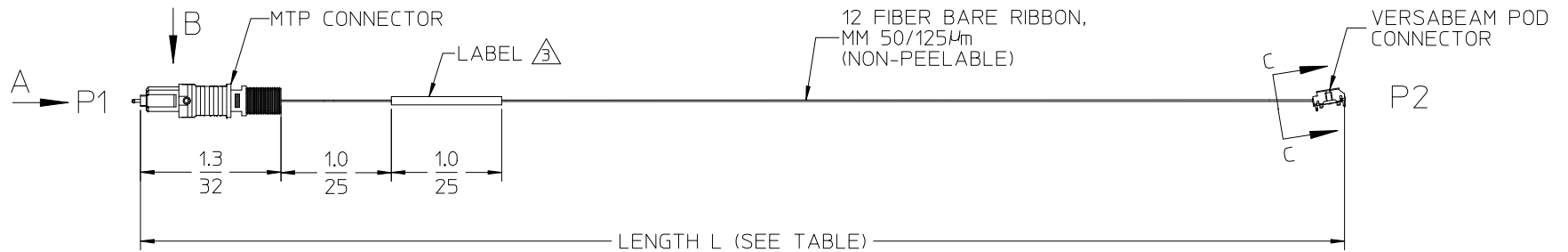


JUMPER P/N	LENGTH L m [in]	MTP CONN. TYPE
106267-2001	0.5 +0.1/-0 [19.69 +4.0/-0]	FEMALE
106267-2002	1.0 +0.2/-0 [39.4 +8.0/-0]	
106267-2011	0.5 +0.1/-0 [19.69 +4.0/-0]	MALE
106267-2012	1.0 +0.2/-0 [39.4 +8.0/-0]	
106267-2013	0.2 +0.05/-0 [8.0 +2.0/-0]	

CONNECTIONS	
P1-1 THRU P1-12	P2-1 THRU P2-12



NOTES:

- DUST CAPS ARE NOT SHOWN BUT INCLUDED. MTP MALE CONNECTOR IS SHOWN. FEMALE CONNECTOR DOES NOT CONTAIN PINS.
- INSERTION LOSS @ 850nm TO AN INTERPOSER: 2.0 dB. THROUGHPUT LOSS (MTP+VERSABEAM POD): 1.2dB. TEST DATA IS SENT WITH JUMPER.
- LABEL IS PRINTED WITH MOLEX NAME, PART NUMBER AND SERIAL NUMBER.

ENTER DESCRIPTION EC NO: MF2016-0140 DRWN: SBO/JANIC 2015/08/27 CHKD: APPR: LGUMIN 2015/08/31 REV: E1	QUALITY SYMBOLS ▽=0 ▽=0	GENERAL TOLERANCES (UNLESS SPECIFIED) <table border="1"> <thead> <tr> <th></th> <th>mm</th> <th>INCH</th> </tr> </thead> <tbody> <tr> <td>4 PLACES</td> <td>± ---</td> <td>± ---</td> </tr> <tr> <td>3 PLACES</td> <td>± ---</td> <td>± ---</td> </tr> <tr> <td>2 PLACES</td> <td>± ---</td> <td>± ---</td> </tr> <tr> <td>1 PLACE</td> <td>± ---</td> <td>± ---</td> </tr> <tr> <td>0 PLACE</td> <td>±</td> <td>±</td> </tr> </tbody> </table>		mm	INCH	4 PLACES	± ---	± ---	3 PLACES	± ---	± ---	2 PLACES	± ---	± ---	1 PLACE	± ---	± ---	0 PLACE	±	±	DIMENSION STYLE IN/MM	SCALE 1:1	DESIGN UNITS INCH	THIRD ANGLE PROJECTION
		mm	INCH																					
	4 PLACES	± ---	± ---																					
	3 PLACES	± ---	± ---																					
2 PLACES	± ---	± ---																						
1 PLACE	± ---	± ---																						
0 PLACE	±	±																						
DRAWN BY: EEFUNG DATE: 2010/08/09 CHECKED BY: DATE:		APPROVED BY: DATE: 2010/08/27		TITLE MTP12 TO VERSABEAM POD JUMPER, MM 50/125UM																				
MATERIAL NO. SEE TABLE		DOCUMENT NO. SD-106267-2001		SHEET NO. 1 OF 1																				
THIS DRAWING CONTAINS INFORMATION THAT IS PROPRIETARY TO MOLEX INCORPORATED AND SHOULD NOT BE USED WITHOUT WRITTEN PERMISSION																								