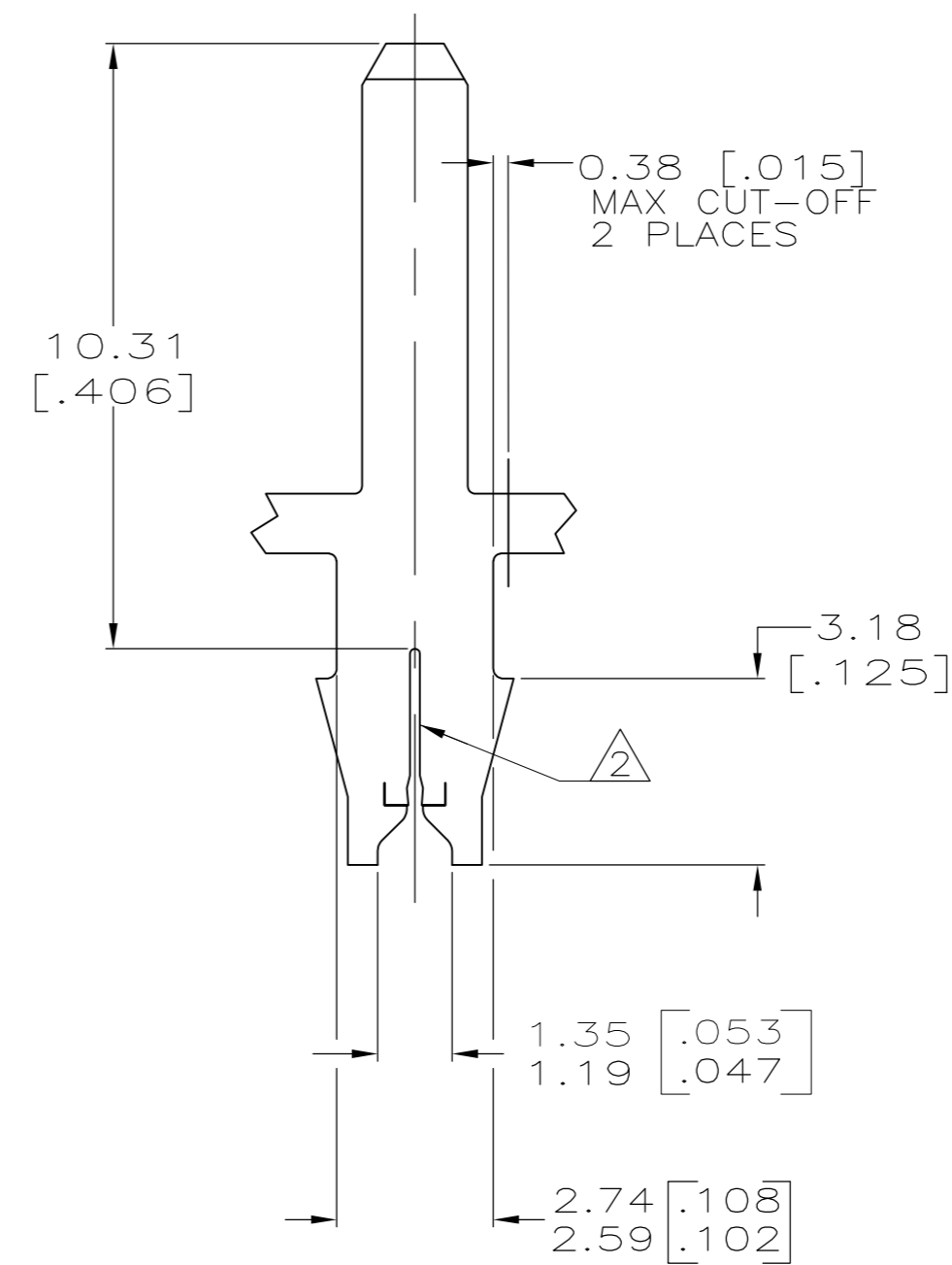
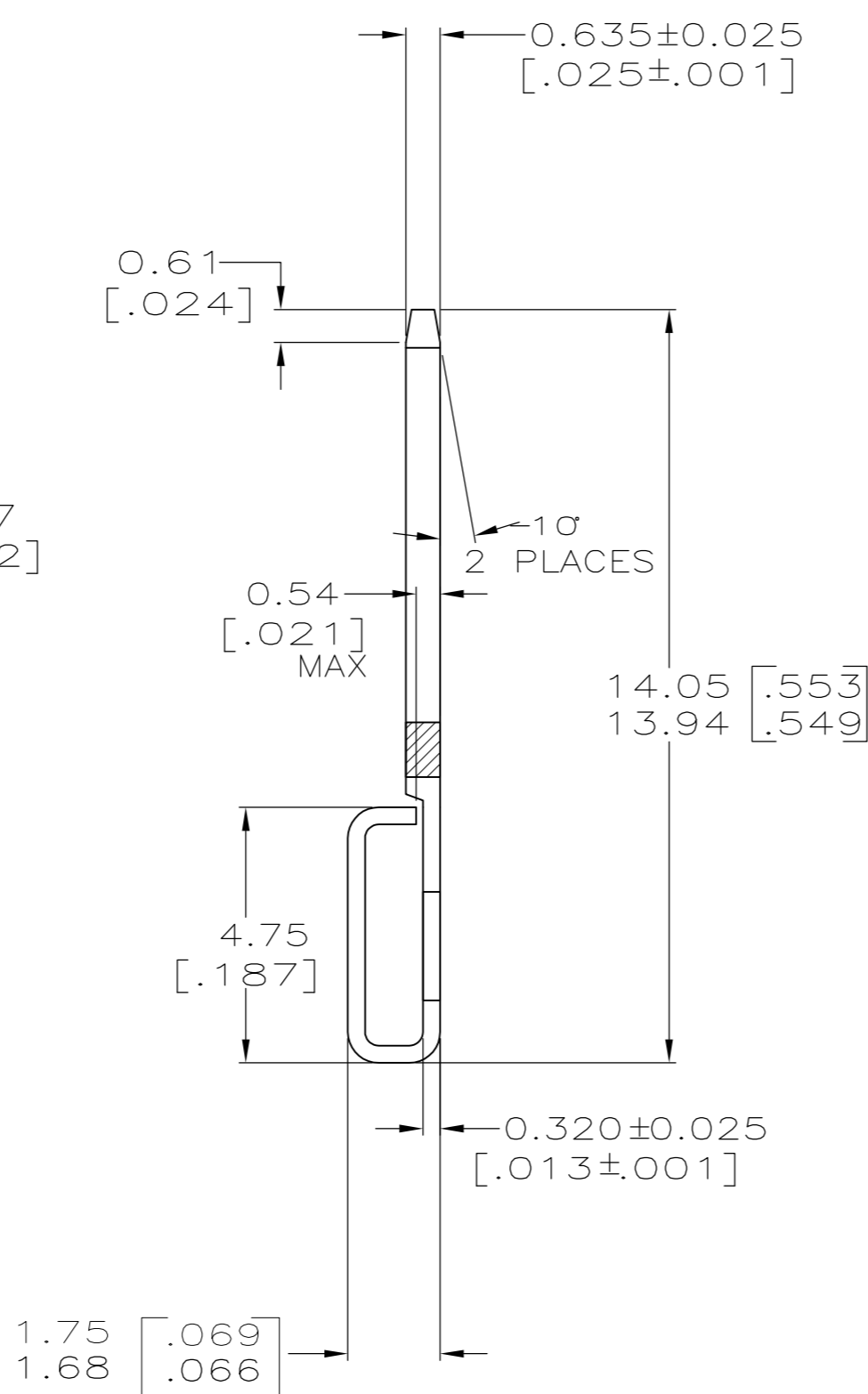
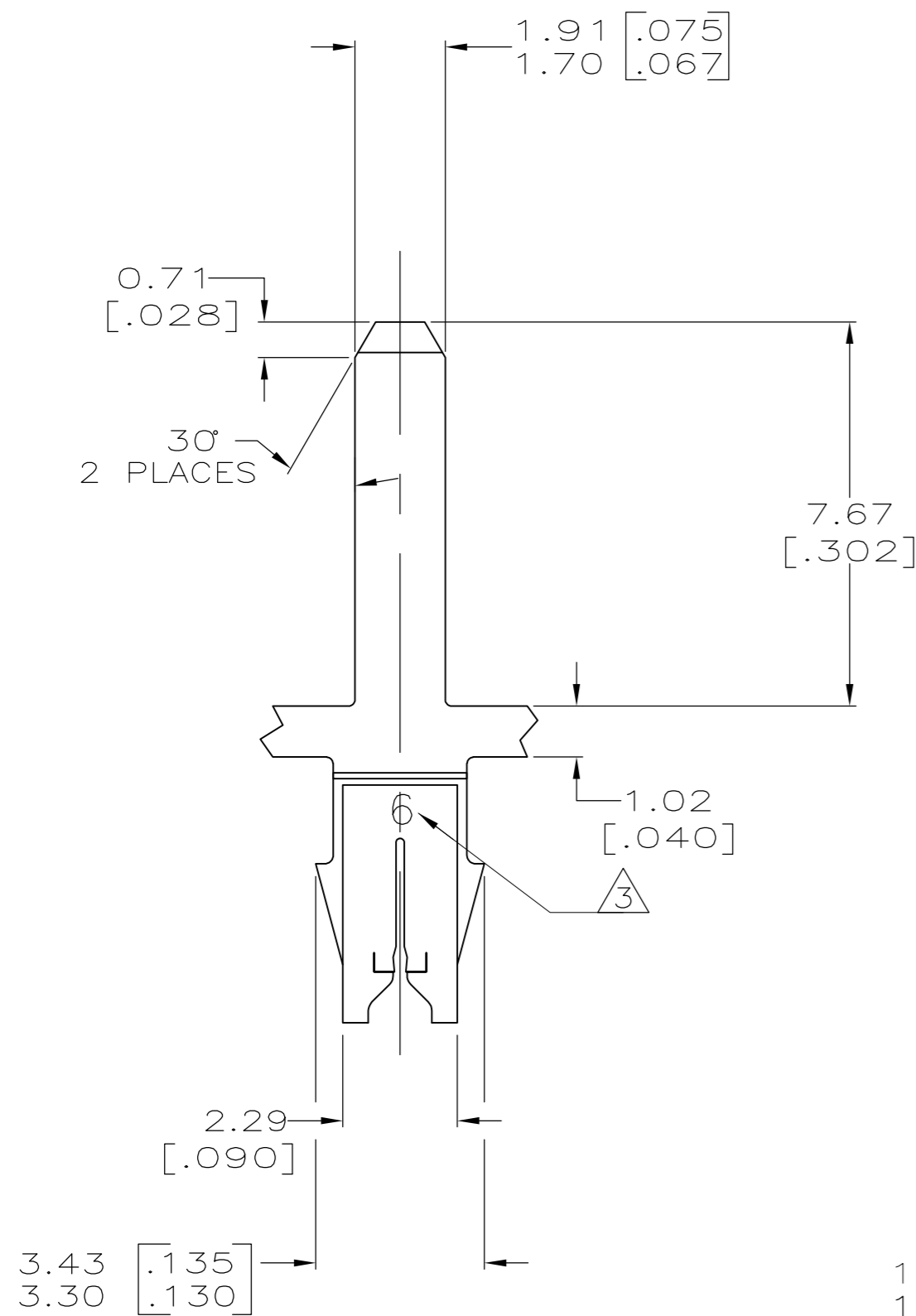
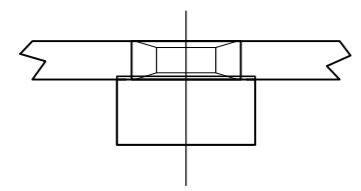


THIS DRAWING IS UNPUBLISHED. RELEASED FOR PUBLICATION
 © COPYRIGHT - By - ALL RIGHTS RESERVED.

LOC	DIST	REVISIONS			
P	LTR	DESCRIPTION	DATE	DWN	APVD
AF	50	A	ECR-13-016672	25OCT13	PKS RRP

- 1 CONTINUOUS STRIP ON REELS WITH TERMINALS LOCATED ON 5.08±0.08 [.200±.003] CENTERS.
- 2 SLOT ACCEPTS 0.25mm [#30] AWG COPPER MAGNET WIRE.
- 3 IDENTIFICATION NUMBER 6 FOR WIRE SLOT SIZE.



1217405-1
PART NUMBER

THIS DRAWING IS A CONTROLLED DOCUMENT.		DWN MICHAEL S. FEHER 26MAR2002		
DIMENSIONS: INCHES		CHK KURT A. RANDOLPH 26MAR2002		
TOLERANCES UNLESS OTHERWISE SPECIFIED:		APVD KURT A. RANDOLPH 26MAR2002	NAME TAB, 1.80[.071] SERIES, 187 SERIES MAG-MATE™	
		PRODUCT SPEC 108-2012	RESTRICTED TO	
MATERIAL BRASS		FINISH TIN PLATE	APPLICATION SPEC 114-2069	SIZE A2
		WEIGHT -	CAGE CODE 00779	DRAWING NO 1217405
		CUSTOMER DRAWING	SCALE 8:1	SHEET 1 of 1