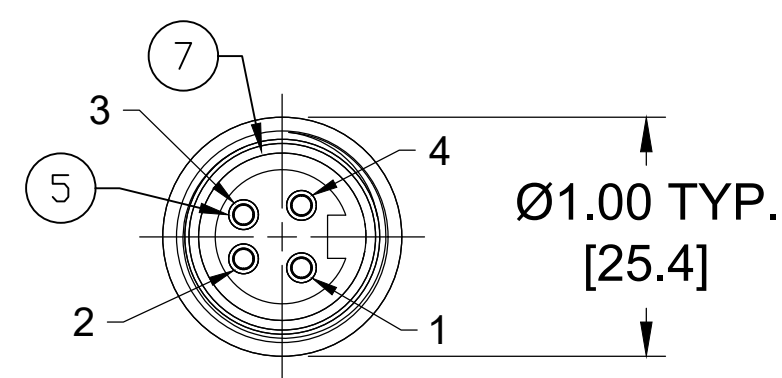
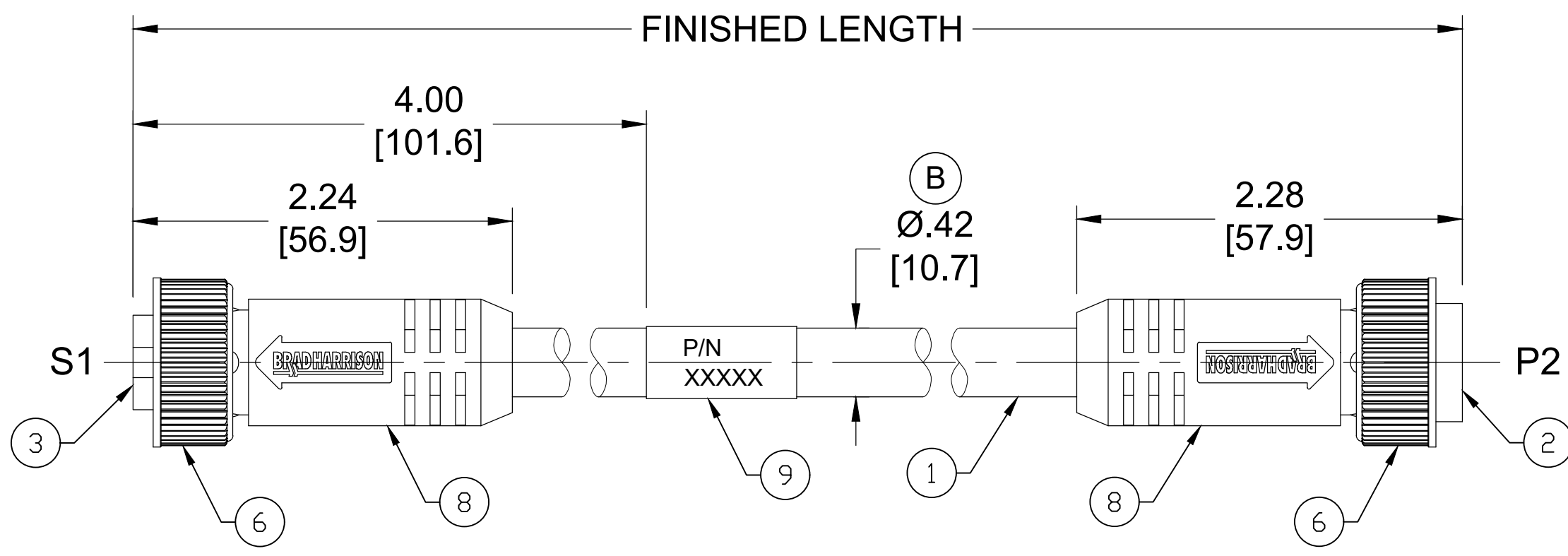
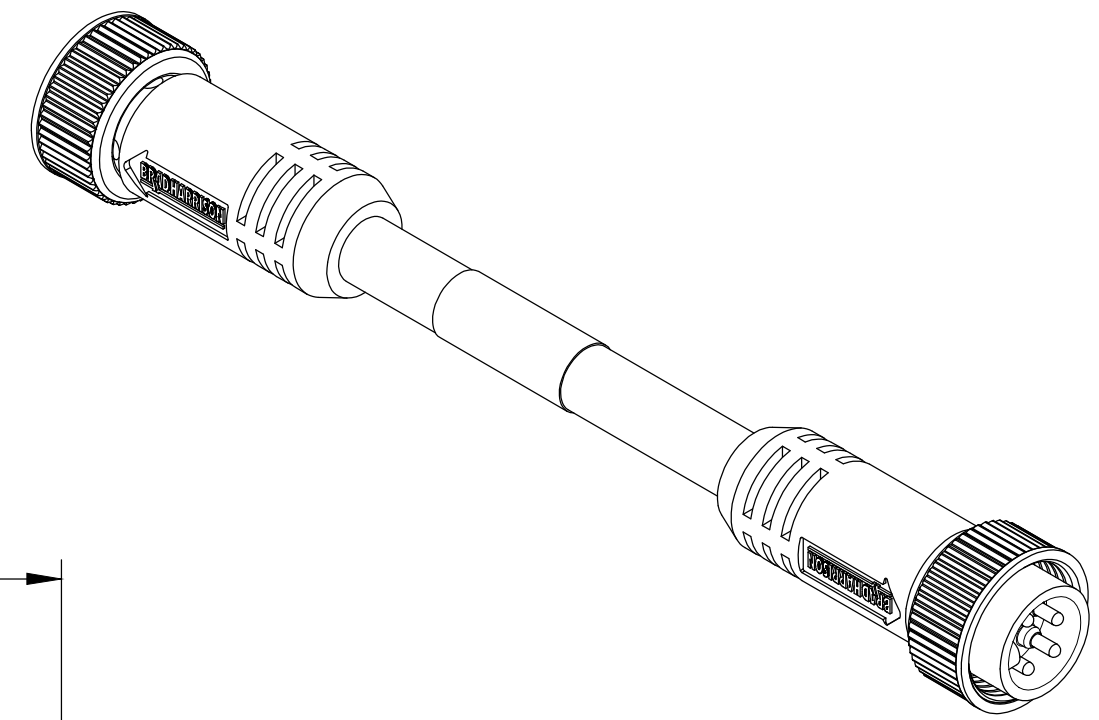


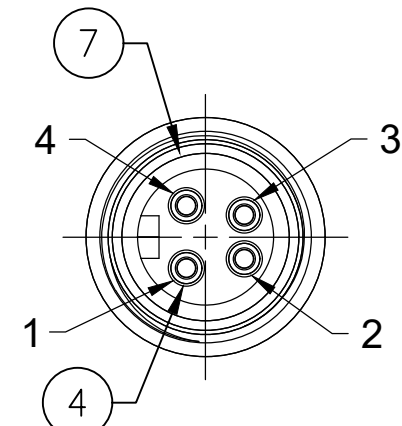
PART NO	ENGINEERING NO.	FINISHED LENGTH
1300100519	114020A01F030	3FT [0.9M]
1300100525	114020A01F060	6FT [1M 32 IN]
1300100533	114020A01F120	12FT [3M 26 IN]
1300100541	114020A01F200	20FT [6M 4 IN]

**(B) PART NUMBER LEGEND**  
114020A01F030

FINISHED LENGTH  
F010 = 1 FEET  
F100 = 10 FEET  
F300 = 30 FEET



FEMALE FACE VIEW



MALE FACE VIEW

**NOTES:**

- MATERIAL: AS NOTED
- FINISH: AS NOTED
- ELECTRICAL:  
VOLTAGE: 483V PER IEC60664  
600V PER UL2238  
CURRENT: 10A
- TEMP RATING: -20° TO +105°C
- PROTECTION: IP67 (WHEN MATED)
- COUPLING THREAD: 7/8"-16UN
- UL RECOGNIZED FILE: E152210  
CSA CERTIFIED FILE: LR6837
- ALL DIMENSIONS ARE FOR REFERENCE  
UNLESS TOLERANCED OR NOTED OTHERWISE

ITEM	COMPONENT	MATERIAL	FINISH
9	WRAP LABEL	VINYL	BLACK/YELLOW
8	OVERMOLD	TPE	YELLOW
7	FRICITION RING	NYLON	WHITE
6	COUPLING NUT	ZINC DIE CAST	BLACK-E-COAT
5	CONTACT SOCKET	BRASS	GOLD OVER NICKEL
4	CONTACT PIN	BRASS	GOLD OVER NICKEL
3	FEMALE INSERT	TPE	YELLOW
2	MALE INSERT	TPE	YELLOW
1	CABLE #16 AWG, STOOW/ST	PVC JACKET	YELLOW

S1		P2
1	BLACK	1
2	WHITE	2
3	RED	3
4	GREEN/YELLOW - GND	4

WIRING DIAGRAM

**(B) CABLE LENGTH TOLERANCES**

<.3M [1FT]:	+19mm-0 [+ .75in-0]
.3 - .9M [1 - 3FT]:	+44.5mm-0 [+1.75in-0]
.9 - 1.8M [3 - 6FT]:	+55.6mm-0 [+2.19in-0]
1.8 - 3.7M [6 - 12FT]:	+88.9mm-0 [+3.50in-0]
3.7 - 7.3M [12 - 24FT]:	+165.1mm-0 [+6.50in-0]
7.3-14.6M [24 - 48FT]:	+317.5mm-0 [+12.50in-0]
14.6 - 30.5M [48-100FT]:	+622.3mm-0 [+24.50in-0]
OVER 30M [100FT]	+2% OF FINISHED LENGTH

FUNCTIONAL SYMBOLS	THIS DRAWING CONTAINS INFORMATION THAT IS PROPRIETARY TO MOLEX ELECTRONIC TECHNOLOGIES, LLC AND SHOULD NOT BE USED WITHOUT WRITTEN PERMISSION		CURRENT REV DESC: ITEM# 2, 3 & 8 WERE PVC. ITEM # 9 WAS MYLAR. SOCKET & SLEEVE AS ITEM #5. ADDED UL, CSA, CABLE DIA, IEC VOLTAGE, PN LEGEND & TOL CHART. MODIFIED PN CHART	
FA=0	DIMENSION UNITS	SCALE	EC NO: 698916	
FC=0	INCH/MM	NTS	DRWN: ABENJAMINLW	2021/05/24
FP=0	GENERAL TOLERANCES (UNLESS SPECIFIED)		CHK'D: RSTONE	2022/03/09
DIVISIONAL SYMBOLS	mm	INCH	APPR: BWOODMAN	2022/03/11
	4 PLACES ±----	±----	INITIAL REVISION:	
	3 PLACES ±----	±----	DRWN: LHARTMAN	2009/08/10
	2 PLACES ±----	±----	APPR: JFMURPHY	2009/08/14
	1 PLACE ±----	±----	THIRD ANGLE PROJECTION	
	0 PLACES ±----	±----	DRAWING	SERIES
	ANGULAR TOL ± ---- °		C-SIZE	130010
	DRAFT WHERE APPLICABLE MUST REMAIN WITHIN DIMENSIONS		MATERIAL NUMBER	CUSTOMER
			SEE CHART	GENERAL MARKET



MINI-CHANGE CORDSET, A-SIZE  
4-POLE, MALE-FEMALE, STRAIGHT, SINGLE KEY,  
#16 AWG

PRODUCT CUSTOMER DRAWING

DOCUMENT NUMBER	DOC TYPE/DOC PART	REVISION
SD-130010-005	PSD	001 B

MATERIAL NUMBER	CUSTOMER	SHEET NUMBER
SEE CHART	GENERAL MARKET	1 OF 1