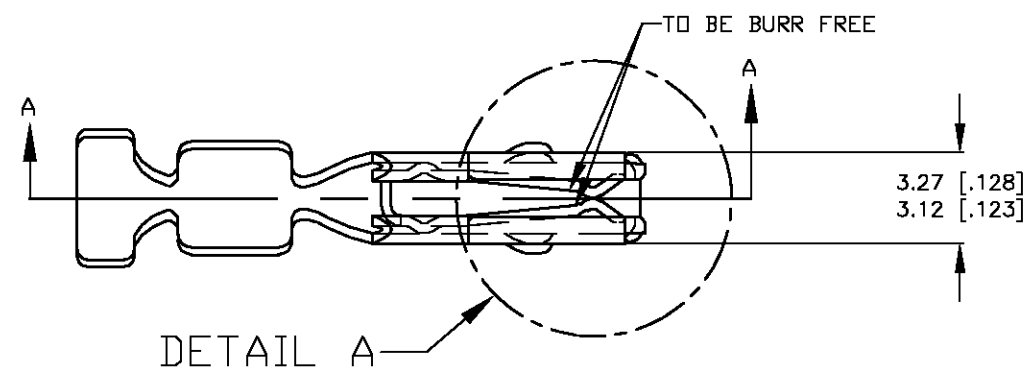
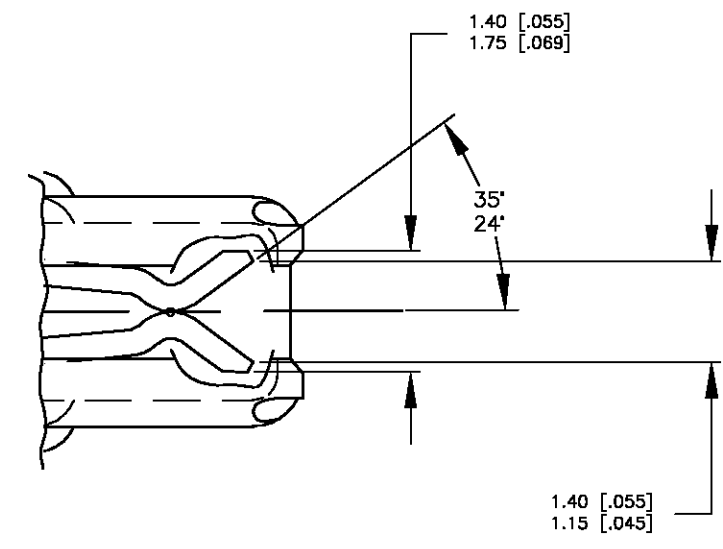
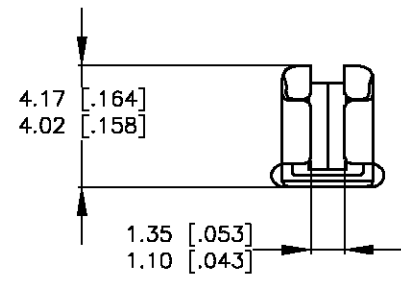
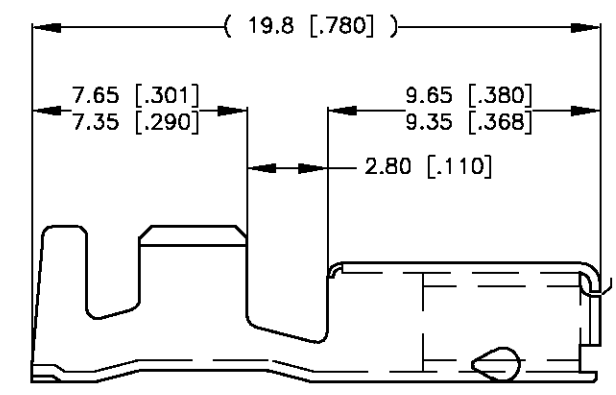


THIS DRAWING IS UNPUBLISHED. RELEASED FOR PUBLICATION
 © COPYRIGHT BY TYCO ELECTRONICS CORPORATION. ALL RIGHTS RESERVED.

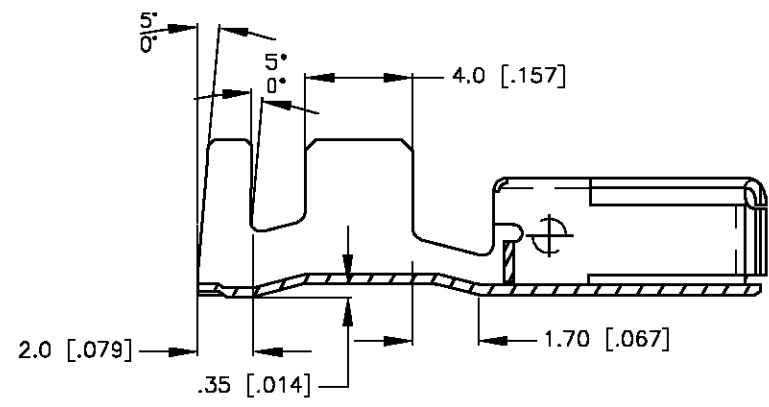
LOC	DIST	REVISIONS				
P	LTR	DESCRIPTION	DATE	DWN	APVD	
FX	00					
	0	EC OKTB-0010-03	09MAY03	JRB	DMR	



DETAIL A



DETAIL A



SECTION A-A

1438236-4		13
1438236-3	-	12
1438236-2	1438236-5	18
1438236-1	-	14
TYCO P/N	TYCO P/N REWOUND	GRIP CODE

THIS DRAWING IS A CONTROLLED DOCUMENT.		DWN	JR BUSSARD	09 MAY 2003		Tyco Electronics Corporation Harrisburg, PA 17105-3608			
DIMENSIONS: MM		CHK	DM REVAK	09 MAY 2003		NAME			
		TOLERANCES UNLESS OTHERWISE SPECIFIED:		APVD		DM REVAK			
		0 PLC ± - 1 PLC ± - 2 PLC ± 0.30 1 PLC ± - 3 PLC ± - 4 PLC ± - ANGLES ± 1°		PRODUCT SPEC		TERMINAL - WIRING FEMALE			
MATERIAL		FINISH		APPLICATION SPEC		-			
-		-		-		SIZE	CAGE CODE	DRAWING NO	RESTRICTED TO
-		-		-		A3	00779	1438236	-
-		-		CUSTOMER DRAWING		SCALE	SHEET	OF	REV
-		-		-		5:1	1	1	0