

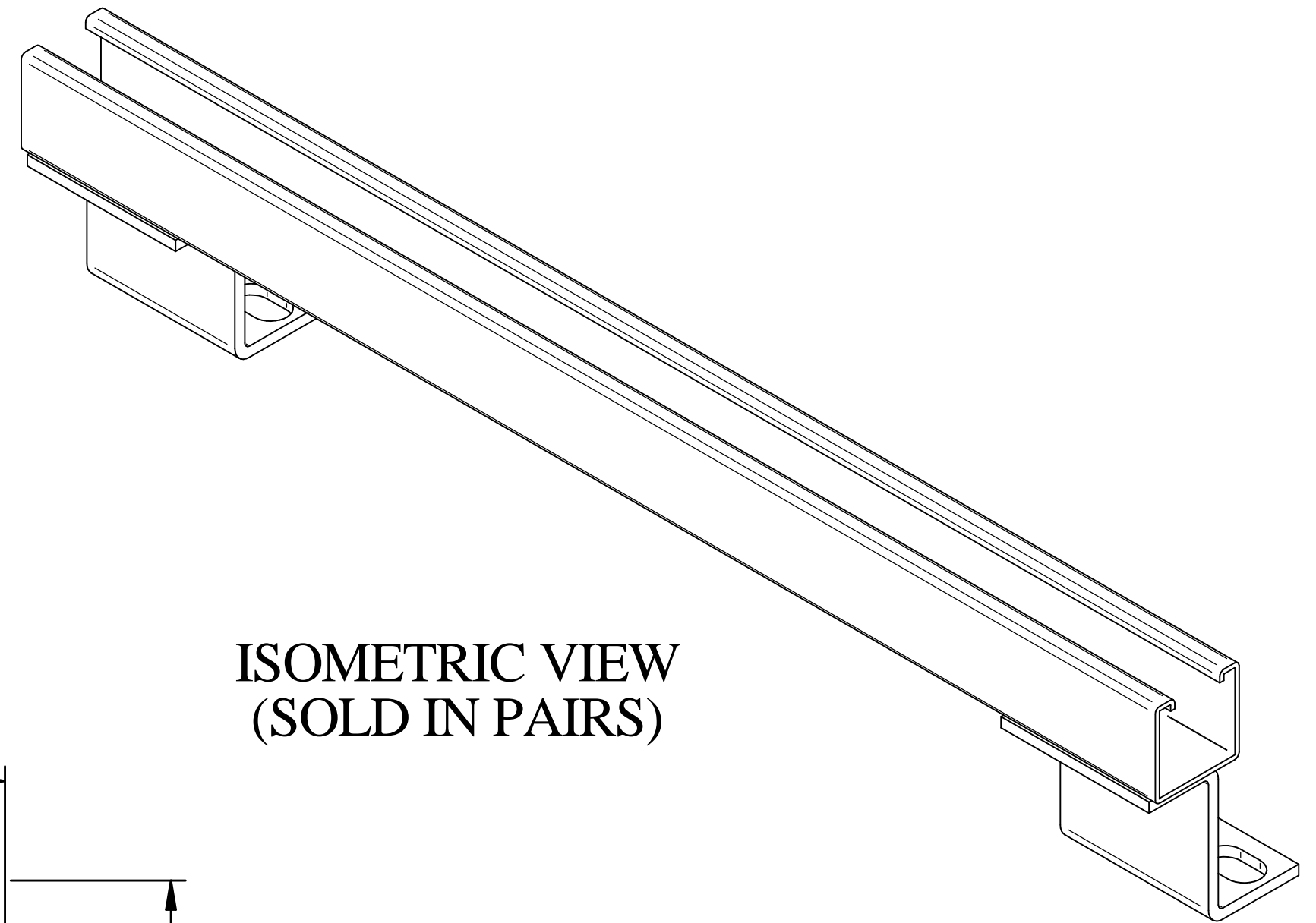
PART No. 14B12

for more information visit

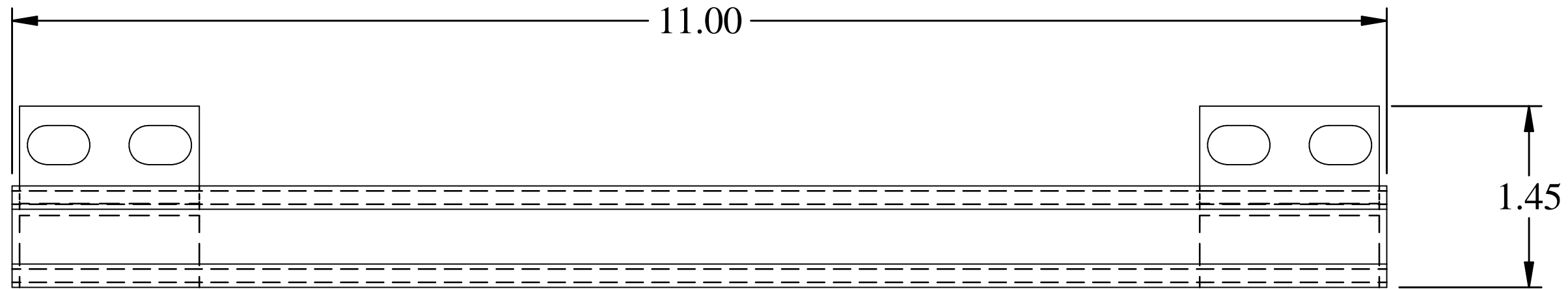
[www.hammondmfg.com](http://www.hammondmfg.com)

Data subject to change without notice

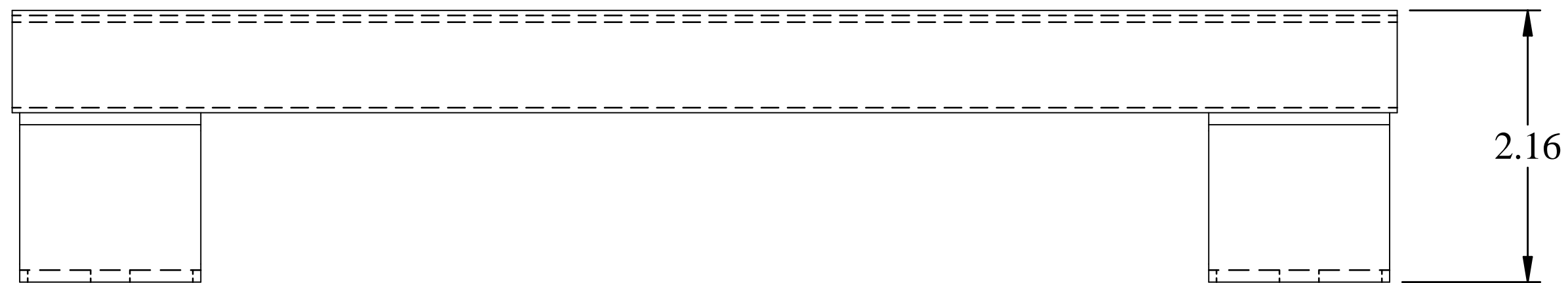
Isometric drawing Not to Scale



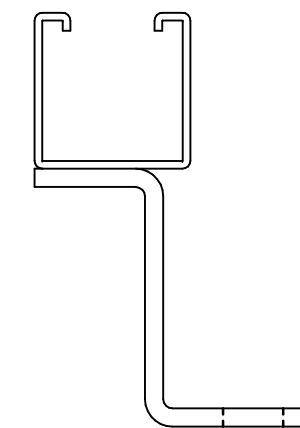
ISOMETRIC VIEW  
(SOLD IN PAIRS)



TOP VIEW



FRONT VIEW



SIDE VIEW