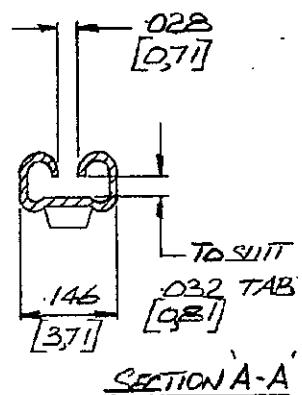
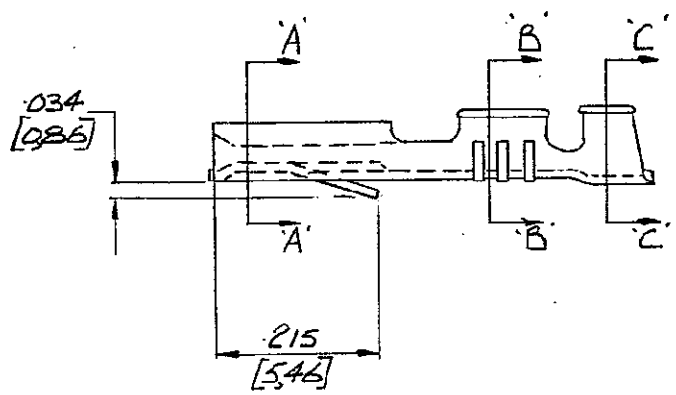
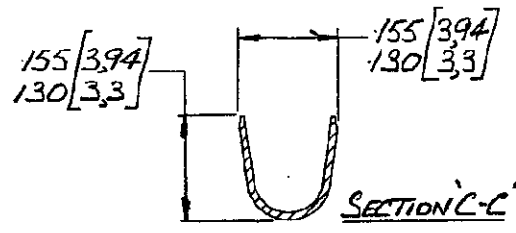
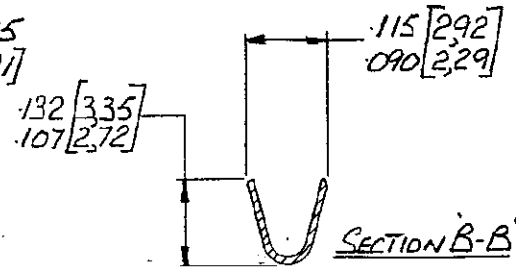
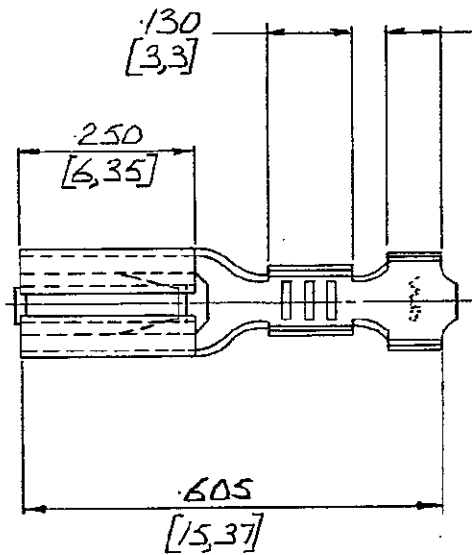


NUMBER  
C/50572

3rd ANGLE (AMERICAN) PROJECTION

DIMENSIONS IN INCHES. DO NOT SCALE PRINT.  
DIMENSIONS TABLE C 3 IN MM.



	150572-2	ELECTRO-TIN	REELED WITH PAPER INTERLEAVE
OBSOLETE	150572-1	PRE-TIN.	(1)
	PART NO	FINISH	

				© AIRCRAFT-MARINE PRODUCTS (GREAT BRITAIN) LTD 1968		CUSTOMER COPY REFERENCE ONLY	
M1	ECR-10-010418	RK	SRE	11FEB10	MATERIAL AND FINISH		Tyco Electronics AIRCRAFT-MARINE PRODUCTS (GREAT BRITAIN) LTD, STANMORE, MIDDX.
M	REV IN LINE WITH PROD. DRAWING ECRD-0430-98	MJH		14/8/98	.010 [0,25] BRASS		
C	PAPER INTERLEAVE ADDED TO -15-2			16/11/89	SEE TABLE		CLASS
B	LANSE SKETCHES ADDED PICTORIALY	ABK		22/1/90	WIRE -- RANGE 20-16 INSULATION 080-120 [2,3-3,0]		TYPE
A	REDRAWN	P	BM	10.5.68	TOLERANCE EXCEPT AS NOTED ± .015 [0,4] ± 1°		LOC E
LTR	REVISION RECORD	DR	CHK	DATE	SCALE 4:1	NO A	REV M1
DE	PAVOT 10.5.68	DE	R. J. AVERLEY	10.5.68	NAME MINIATURE FASTIN FASTON (110 SERIES)		
CHK	B. JUSTMAN 10.5.68	APP			NO C/150572		

PRINT DIST

.508