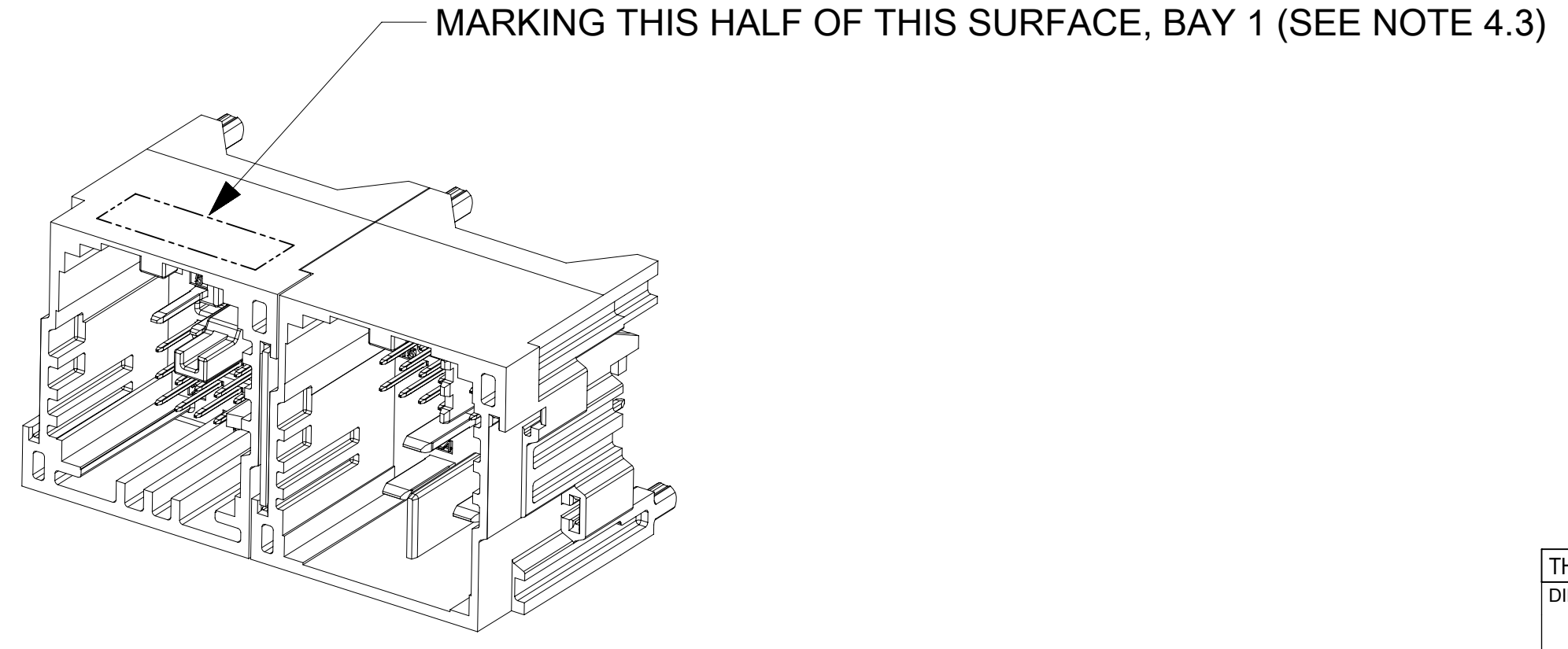


- NOTES: VALID UNLESS OTHERWISE SPECIFIED
- GENERAL:
    - APPLICATION SPECIFICATION 2005060000-AS
    - PRODUCT SPECIFICATION 2005060001-PS CLASSIFICATIONS T1V1S1 TO GMW 3191 2012
    - PACKAGING SPECIFICATION PER MOLEX DRAWING
  - DESIGN - MATERIALS:
    - HOUSING: SPS 30% GF
    - BLADE TERMINALS:
      - 0.5MM BLADES  
BASE MATERIAL: COPPER ALLOY  
CONDUCTIVITY > 28% IACS @ 20°C  
UNDERPLATE: OVERALL NICKEL  
OVERPLATE: OVERALL TIN
      - 1.2MM BLADES  
BASE MATERIAL: COPPER ALLOY  
CONDUCTIVITY > 28% IACS @ 20°C  
UNDERPLATE: OVERALL NICKEL  
OVERPLATE: OVERALL TIN
      - 2.8MM BLADES  
BASE MATERIAL: COPPER ALLOY  
CONDUCTIVITY > 40% IACS @ 20°C  
UNDERPLATE: OVERALL NICKEL  
OVERPLATE: OVERALL TIN
    - FASTENER: STAINLESS STEEL
  - DESIGN - GEOMETRY:
    - ALL GRAPHIC DATA IS BASIC (NO TOLERANCE) AND MUST BE TAKEN FROM THE DATA FILE AT ITS LATEST REVISION
    - PRODUCT DESIGN MODEL NUMBER: SEE CHART. MODEL NUMBERS SAME AS PART NUMBERS.
    - GEOMETRIC DIMENSIONS AND TOLERANCES PER ASME Y14.5-2009
    - EDGES OF UNDEFINED SHAPE PER ISO 13715
    - CORNERS SHOWN AS SHARP TO BE R 0.4 MAX
    - LETTERING SHALL BE MAX POSSIBLE FOR READABILITY. THIS INCLUDES RECYCLING CODE, CAVITY ID, VENDOR IDENTIFICATION, AND CUSTOMER MATERIAL NUMBER.
    - FOR BAY/POCKET DEFINITION SEE MOLEX INTERFACE DRAWINGS IN CHART. FUNCTIONAL APPLIES TO ALL FUNCTIONALS IN INTERFACE DRAWINGS.
    - [G] DENOTES DIMENSIONS TO BE QUALIFIED WITH GAGE FOR PPAP AND IN PROCESS QUALITY CHECKS.
  - DESIGN - MANUFACTURING:
    - VISUAL DEFECTS SHALL MEET MOLEX COSMETIC STANDARD PS-45499-002 (CLASS B)
    - REFLOW SOLDERABILITY PER SMES-152
    - LASER ETCHED PART MARKING (1.5mm HEIGHT) CODED AS FOLLOWS  
ROW 1: "YYDDHHMMSS"  
- DATE AND TIME CODE  
ROW 2: "XXXX" OR "XXXX\_X"  
- "XXXX" IS LAST 5 DIGITS OF PART NO AND DENOTES ORIGINAL ASSEMBLY LINE  
- ".X" DENOTES CAPACITY ASSEMBLY LINE SUCH AS ".B" OR MORE IN FUTURE



BAY QTY	DIM A
2	49.1
3	72.5
4	95.9
5	119.3
6	142.7
7	166.1

SEE SHEET 2	
REVISION	DESCRIPTION

THIS DRAWING CONTAINS INFORMATION THAT IS PROPRIETARY TO MOLEX ELECTRONIC TECHNOLOGIES, LLC AND SHOULD NOT BE USED WITHOUT WRITTEN PERMISSION

DIMENSION UNITS: mm	SCALE: 4:1	CURRENT REV DESC: SEE REVISION TABLE	
GENERAL TOLERANCES (UNLESS SPECIFIED)		EC NO: 684964	
ANGULAR TOL ± °		DRWN: RGV	2021/11/11
4 PLACES ± 0.0		CHK'D: JCONDON	2021/11/11
3 PLACES ± 0.0		APPR: JCONDON	2021/11/11
2 PLACES ± 0.13		INITIAL REVISION:	
1 PLACE ± 0.25		DRWN: JRUTTER	2016/05/04
0 PLACES ± 0.0		APPR: KDEKOSKI	2016/06/17
DRAFT WHERE APPLICABLE MUST REMAIN WITHIN DIMENSIONS	THIRD ANGLE PROJECTION	DRAWING: D-SIZE	SERIES: 200505
INSPECTION BALLOON NUMBER LOG		MATERIAL NUMBER: 2005050000	CUSTOMER: SEE CHART
PER DRAWING REVISION: C10		DOCUMENT NUMBER: 2005050000	
LAST BALLOON NUMBER: 17		DOC TYPE: PSD	DOC PART: 000
ADDED BALLOON NUMBER: NONE		REVISION: C11	
DELETED BALLOON NUMBER: NONE		SHEET NUMBER: 1 OF 4	

STAK50H MODULAR HEADER VERT MULTIPLE BAY


PRODUCT CUSTOMER DRAWING

ASSEMBLY PART NO.	SINGLE BAY ASSEMBLY PART NUMBER PER LOCATION							PACKAGING
	1	2	3	4	5	6	7	
2005052003	2005010281	2005010251	-----NA-----	-----NA-----	-----NA-----	-----NA-----	-----NA-----	TUBE
2005053001	2005010271	2005010272	2005010321	-----NA-----	-----NA-----	-----NA-----	-----NA-----	TUBE
2005054001	2005010251	2005010281	2005010321	2005010282	-----NA-----	-----NA-----	-----NA-----	TUBE
2005053002	2005010271	2005010273	2005010322	-----NA-----	-----NA-----	-----NA-----	-----NA-----	TUBE
2005053003	2005010252	2005010271	2005010322	-----NA-----	-----NA-----	-----NA-----	-----NA-----	TUBE
2005052004	2005010322	2005010122	-----NA-----	-----NA-----	-----NA-----	-----NA-----	-----NA-----	TUBE
2005053004	2005010122	2005010322	2005010324	-----NA-----	-----NA-----	-----NA-----	-----NA-----	TUBE
2005052007	2005010322	2005010324	-----NA-----	-----NA-----	-----NA-----	-----NA-----	-----NA-----	TUBE
2005053009	2005010121	2005010281	2005010251	-----NA-----	-----NA-----	-----NA-----	-----NA-----	TUBE
2005056001	2005010281	2005010322	2005010253	2005010122	2005010324	2005010273	-----NA-----	TUBE
2005053010	2005010321	2005010323	2005010324	-----NA-----	-----NA-----	-----NA-----	-----NA-----	TUBE
2005053011	2005010323	2005010324	2005010252	-----NA-----	-----NA-----	-----NA-----	-----NA-----	TUBE
2005054002	2005010321	2005010281	2005010251	2005010322	-----NA-----	-----NA-----	-----NA-----	TUBE
2005052005	2005010322	2005010122	-----NA-----	-----NA-----	-----NA-----	-----NA-----	-----NA-----	TRAY
2005052009	2005010251	2005010252	-----NA-----	-----NA-----	-----NA-----	-----NA-----	-----NA-----	TUBE
2005055004	2005010321	2005010322	2005010323	2005010324	2005010251	-----NA-----	-----NA-----	TUBE
2005052011	2005010252	2005010323	-----NA-----	-----NA-----	-----NA-----	-----NA-----	-----NA-----	TUBE
2005052012	2005010122	2005010322	-----NA-----	-----NA-----	-----NA-----	-----NA-----	-----NA-----	TUBE
2005053012	2005010324	2005010322	2005010122	-----NA-----	-----NA-----	-----NA-----	-----NA-----	TUBE
2005052013	2005010251	2005010271	-----NA-----	-----NA-----	-----NA-----	-----NA-----	-----NA-----	TUBE

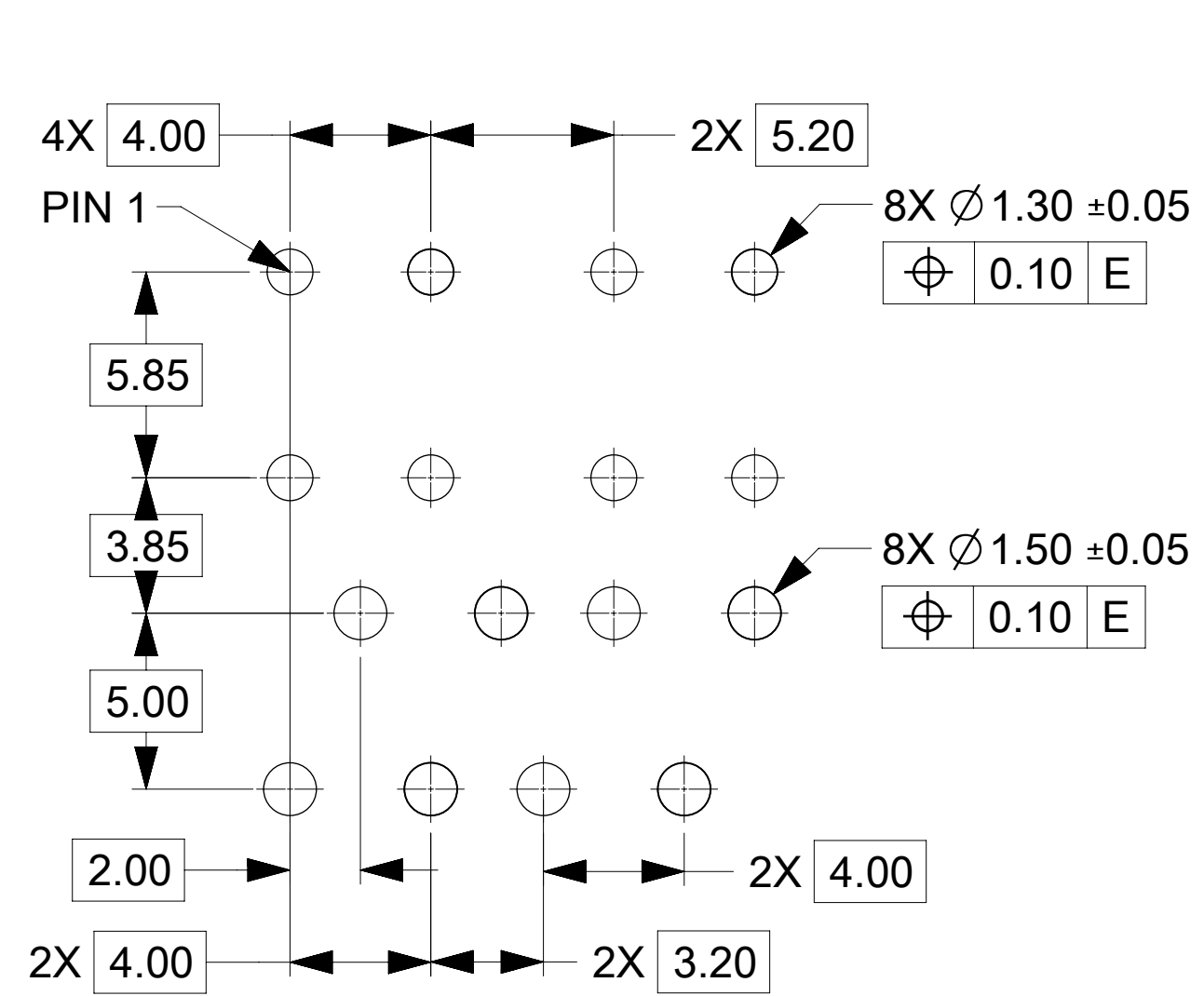
SINGLE BAY ASSEMBLY	DRAWING	INTERFACE DRAWING	TERMINAL QUANTITIES		
			0.5mm	1.2mm	2.8mm
2005010121 THROUGH 2005010124	2005011120SD	SD-160026-002		8	4
2005010251 THROUGH 2005010254	2005011250SD	SD-160027-002	21		4
2005010271 THROUGH 2005010274	2005011270SD	SD-160029-002	19	8	
2005010281 THROUGH 2005010284	2005011280SD	SD-160014-002	21	7	
2005010321 THROUGH 2005010324	2005011320SD	SD-160028-002	28	4	

C11	ADDED PN 2005052013 11-NOV-2021, ECN: 684964
C10	NOTE 4.3 UPDATED
C9	CHANGE SINGLE BAY PN FROM 2005010322, 2005010322 TO 2005010122, 2005010322 FOR MULTI-BAY PN 2005052012
C8	ADDED PN 2005053012 21-APRIL-2021, ECN: 661591
C7	ADDED PN 2005052012 24-JULY-2020 MKP ECN:642177
C6	ADDED PCB HOLE DIMENSIONAL & POSITIONAL TOLERANCE 11-JUNE-2020 YPENG47 ECN:639277
C5	ADDED BALLOON #17 AND TOLERANCE ADDED PN 2005052011 ECN 638696
C4	ADDED PART NUMBER 2005055004 ECN 615503
C3	ADDED PART NUMBER 2005052009 ECN 610976
C2	ADDED PACKAGING COLUMN TO CHART
C1	ADDED NOTE 2.3. ADDED PART NUMBERS. ECN 602740.
C	INTERFACE GEOMETRY CHANGE TO LOCK TAB. SAP ECN 10906786.
B4	SWITCHED BAYS IN 2005052004 1MAY2018 ECN 10895975
B3	ADDED PART NUMBERS
B2	ADDED PART NUMBERS
B1	ADDED PART NUMBERS
B	PCB POST CHANGE, MODULE OPENING CHANGE, NOTES UPDATE
A2	ADDED PART NUMBERS, CHANGED MARKING. GDT ON MODULE OPENING.
A1	CHANGED 2005053003 25K2
A	RELEASE
1	INITIAL RELEASE
REVISION	DESCRIPTION

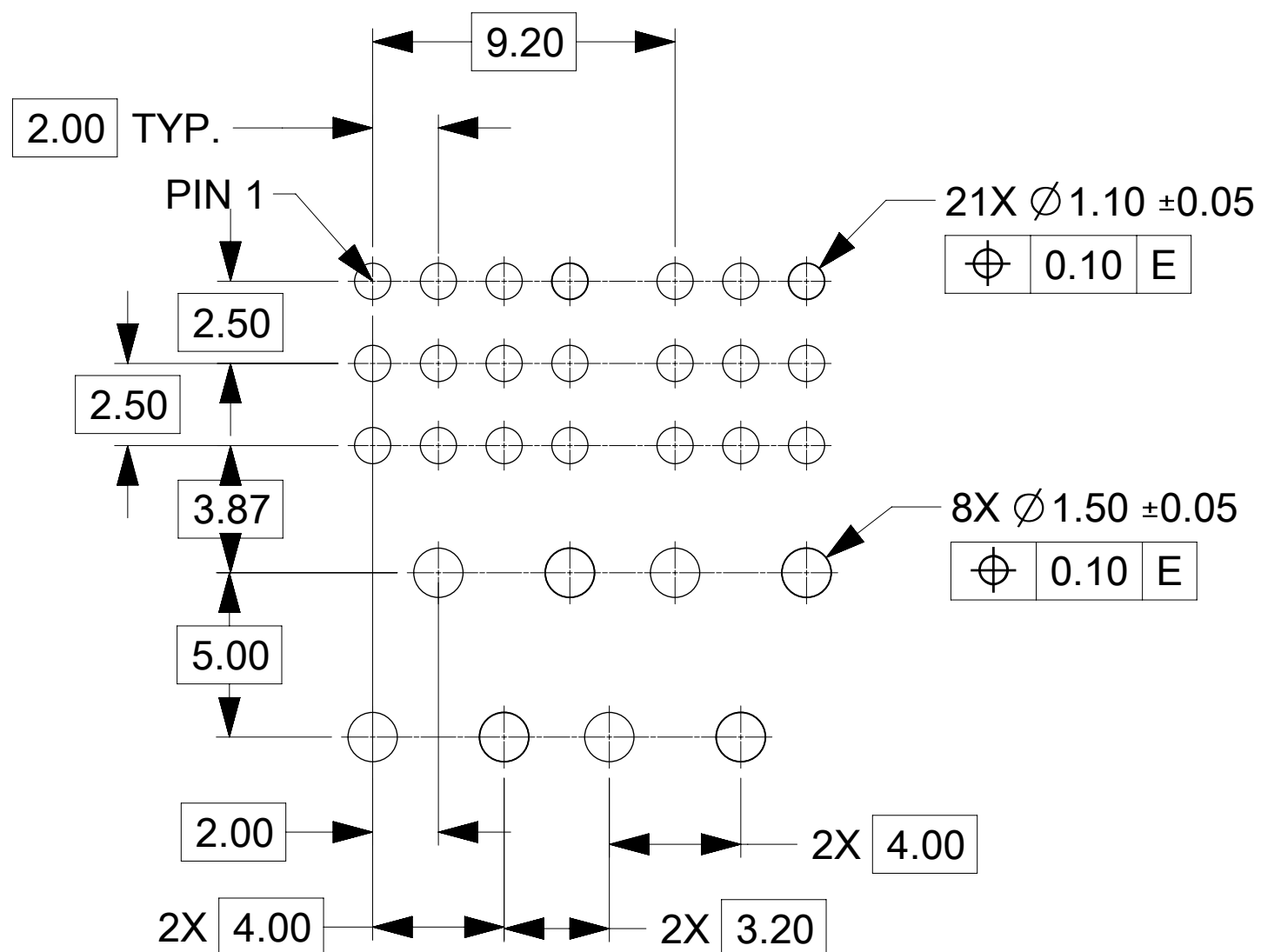
THIS DRAWING CONTAINS INFORMATION THAT IS PROPRIETARY TO MOLEX ELECTRONIC TECHNOLOGIES, LLC AND SHOULD NOT BE USED WITHOUT WRITTEN PERMISSION

DIMENSION UNITS <b>mm</b>	SCALE <b>1:1</b>	CURRENT REV DESC: SEE REVISION TABLE			
GENERAL TOLERANCES (UNLESS SPECIFIED)					
ANGULAR TOL	± °		STAK50H MODULAR HEADER VERT MULTIPLE BAY		
4 PLACES	± 0.0				
3 PLACES	± 0.0		PRODUCT CUSTOMER DRAWING		
2 PLACES	± 0.13				
1 PLACE	± 0.25		DOCUMENT NUMBER <b>2005050000</b>		
0 PLACES	± 0.0				
DRAFT WHERE APPLICABLE MUST REMAIN WITHIN DIMENSIONS		THIRD ANGLE PROJECTION	DRAWING <b>D-SIZE</b>	SERIES <b>200505</b>	DOC TYPE <b>PSD</b>
			MATERIAL NUMBER <b>SEE CHART</b>	CUSTOMER	DOC PART <b>000</b>
			SHEET NUMBER <b>2 OF 4</b>		REVISION <b>C11</b>

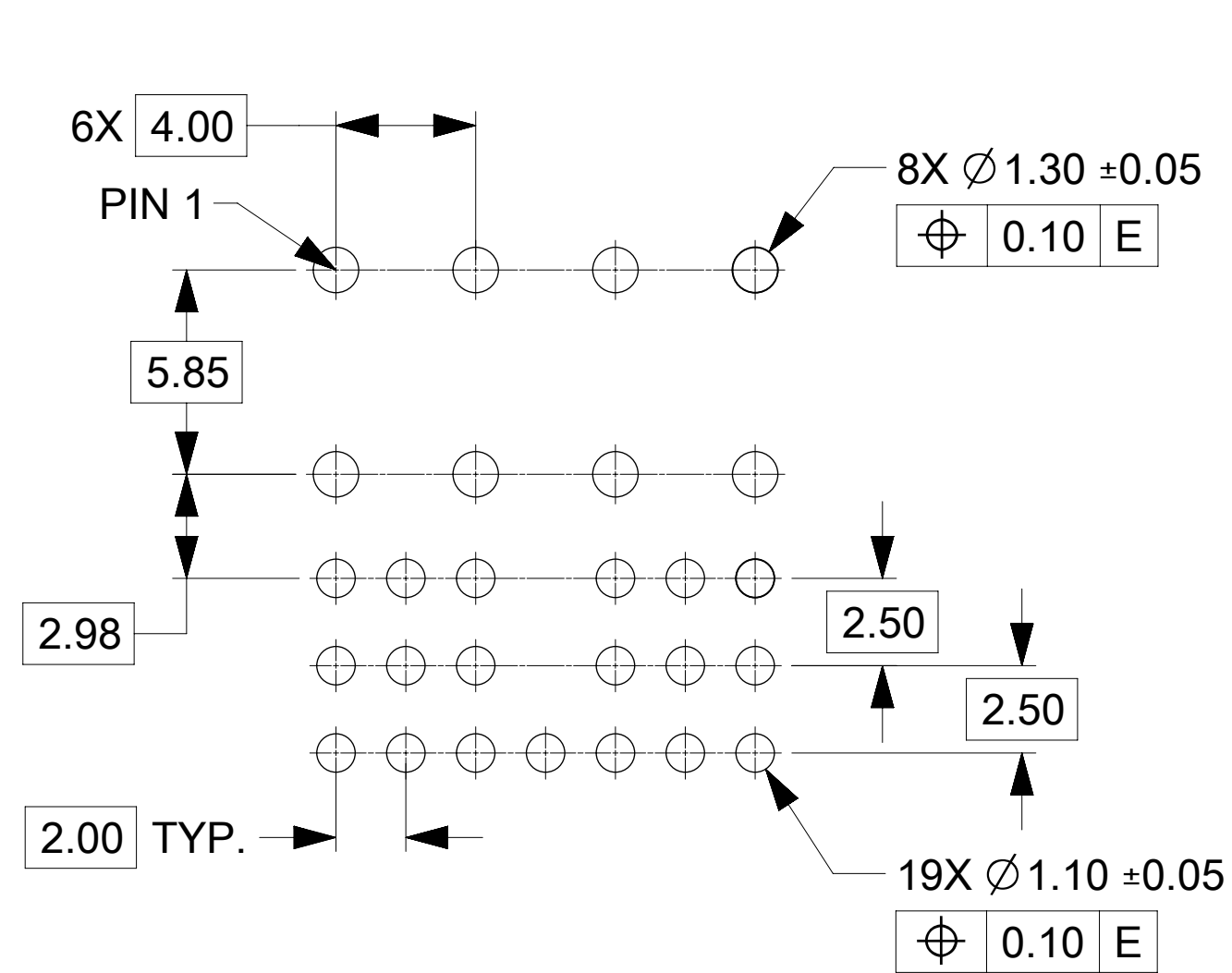
# RECOMMENDED PCB LAYOUT PER BAY FOR REFERENCE ONLY



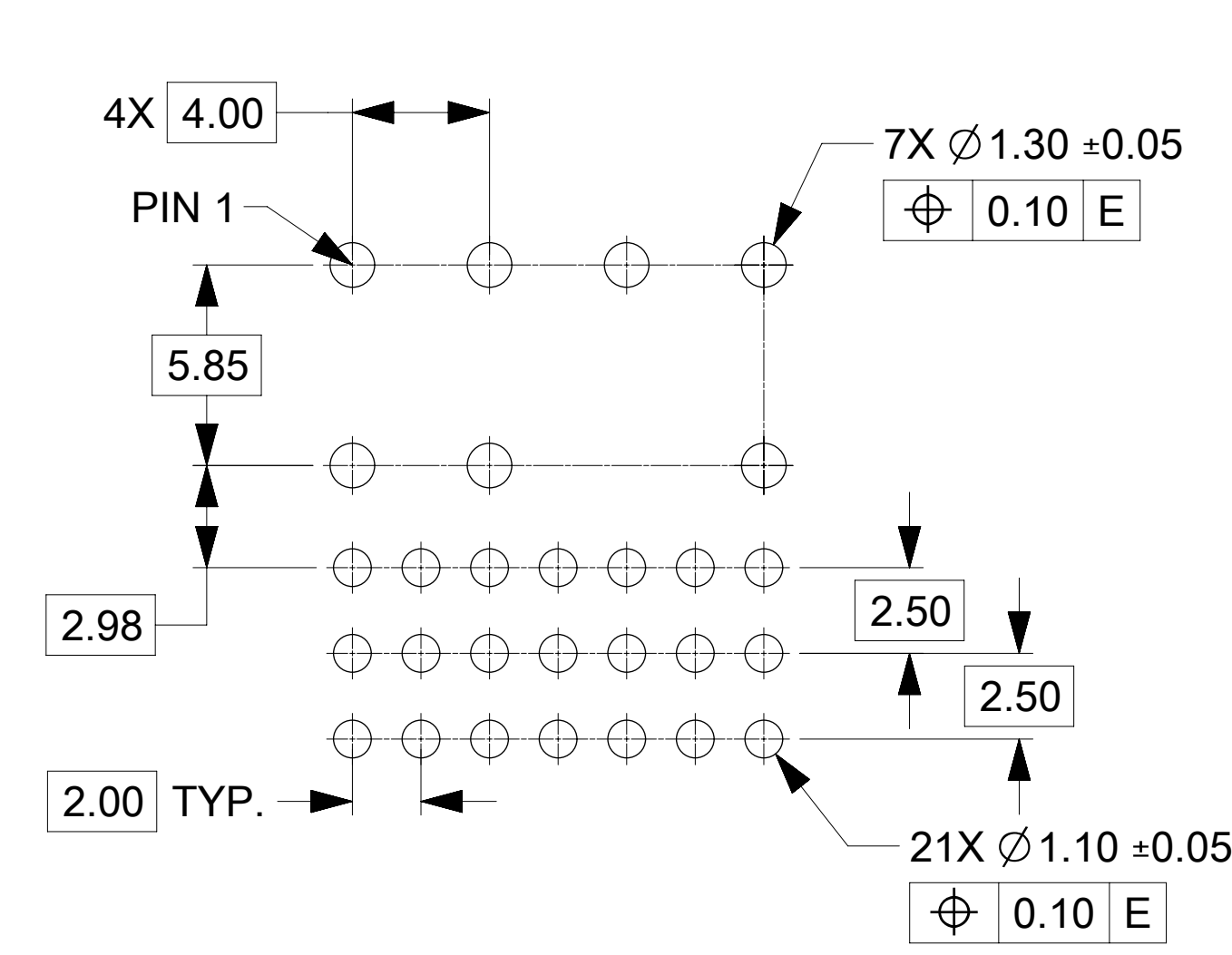
12 WAY  
2005010121  
2005010122  
2005010123  
2005010124



25 WAY  
2005010251  
2005010252  
2005010253  
2005010254

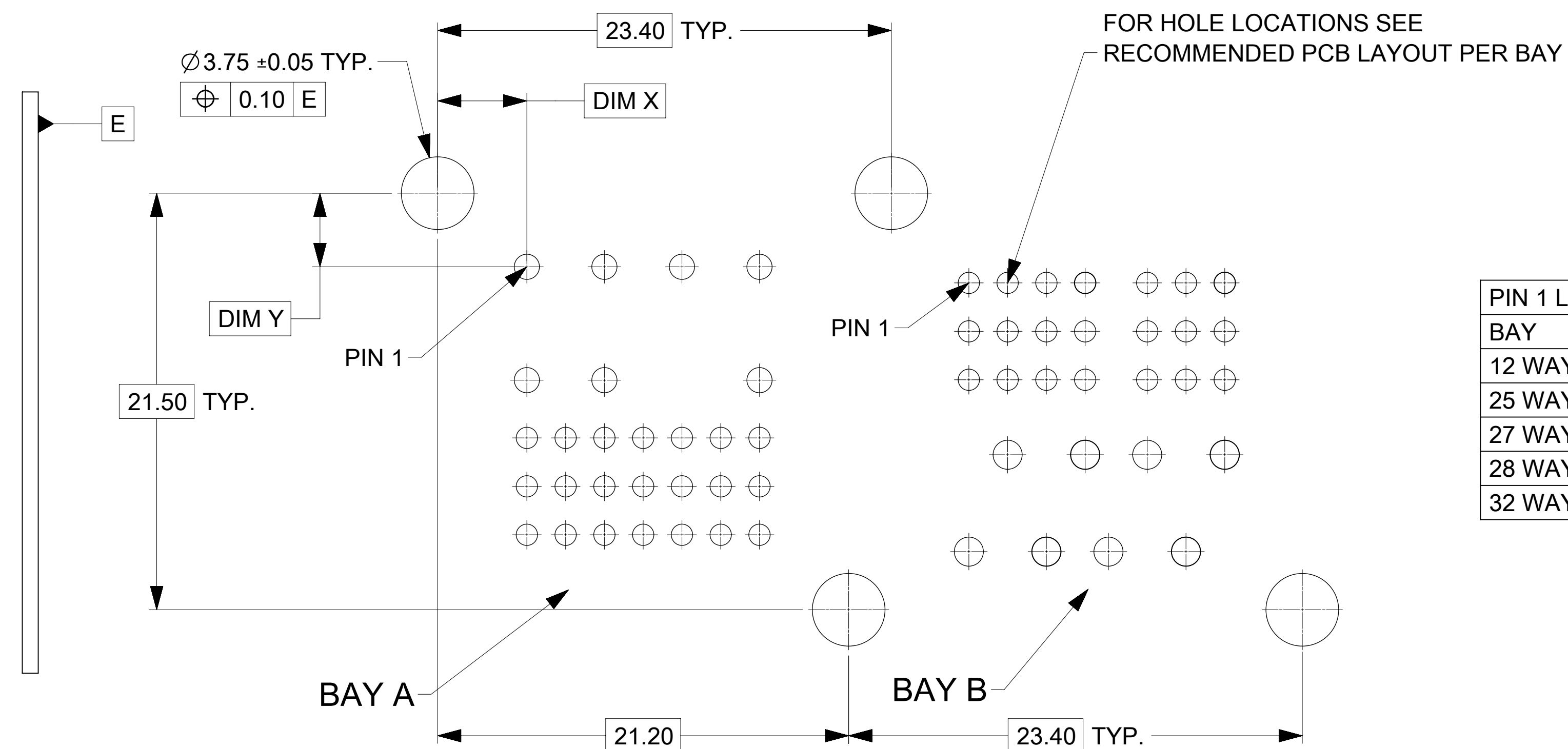


27 WAY  
2005010271  
2005010272  
2005010273  
2005010274

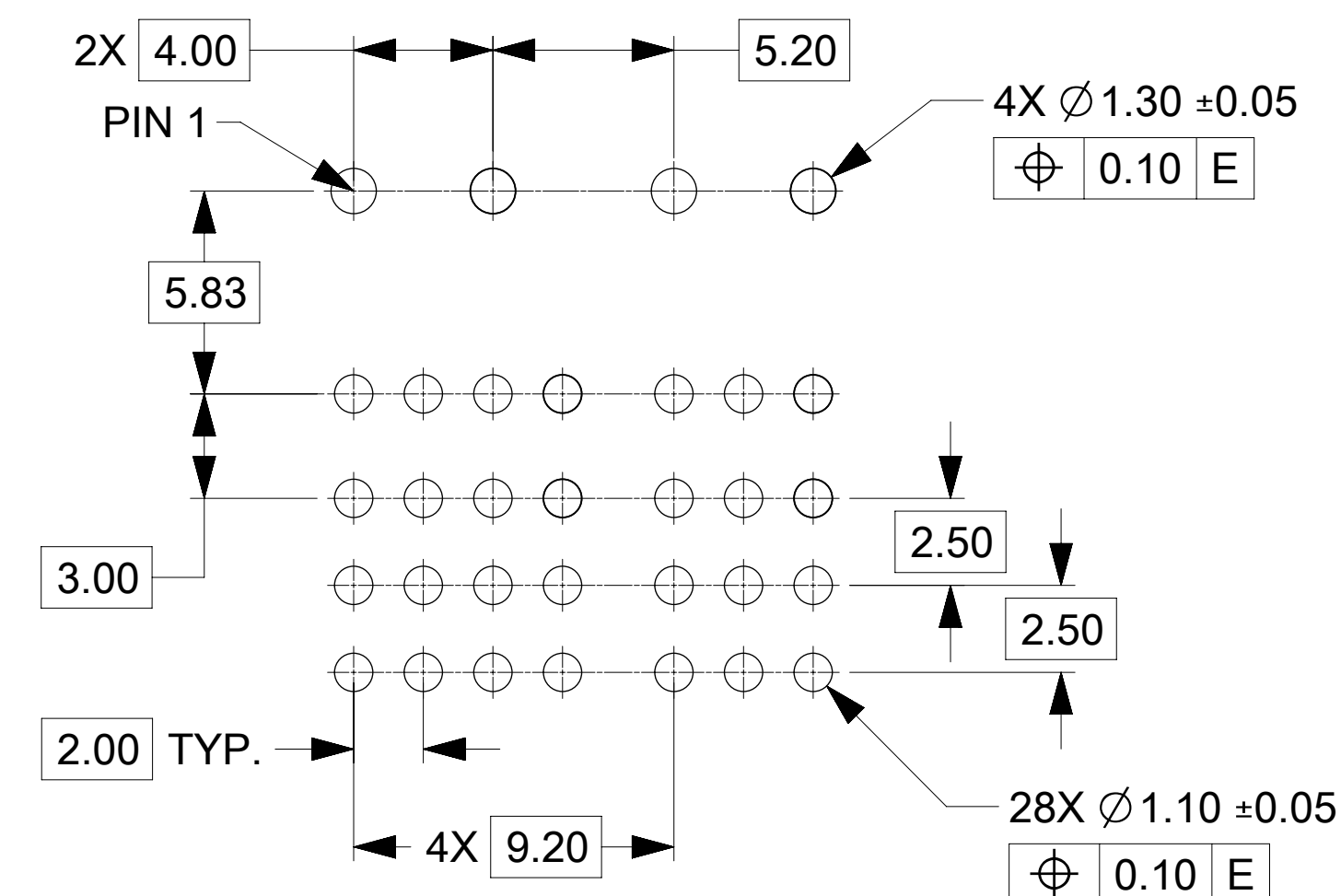


28 WAY  
2005010281  
2005010282  
2005010283  
2005010284

# RECOMMENDED PCB LAYOUT FOR MULTIPLE BAY HEADER FOR REFERENCE ONLY INSERT NECESSARY BAYS USING CHART ON SHEET 1

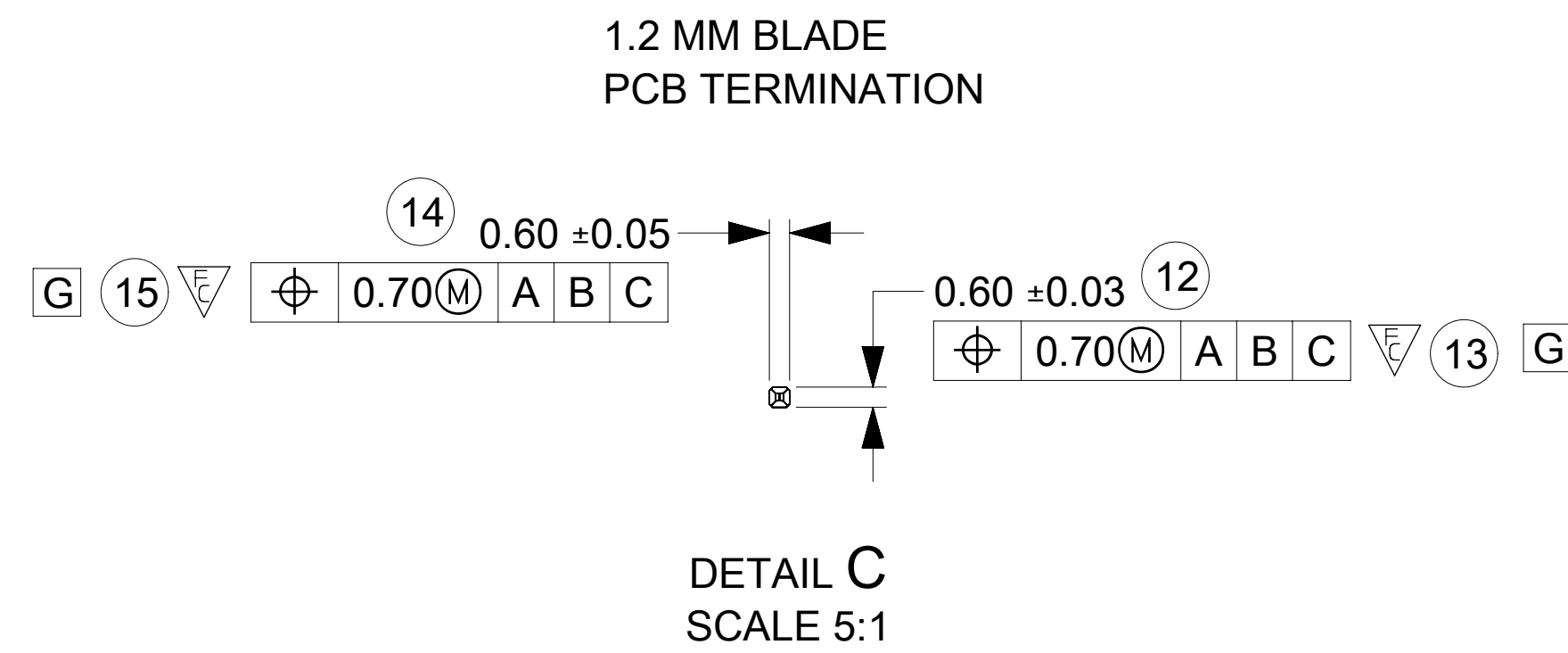
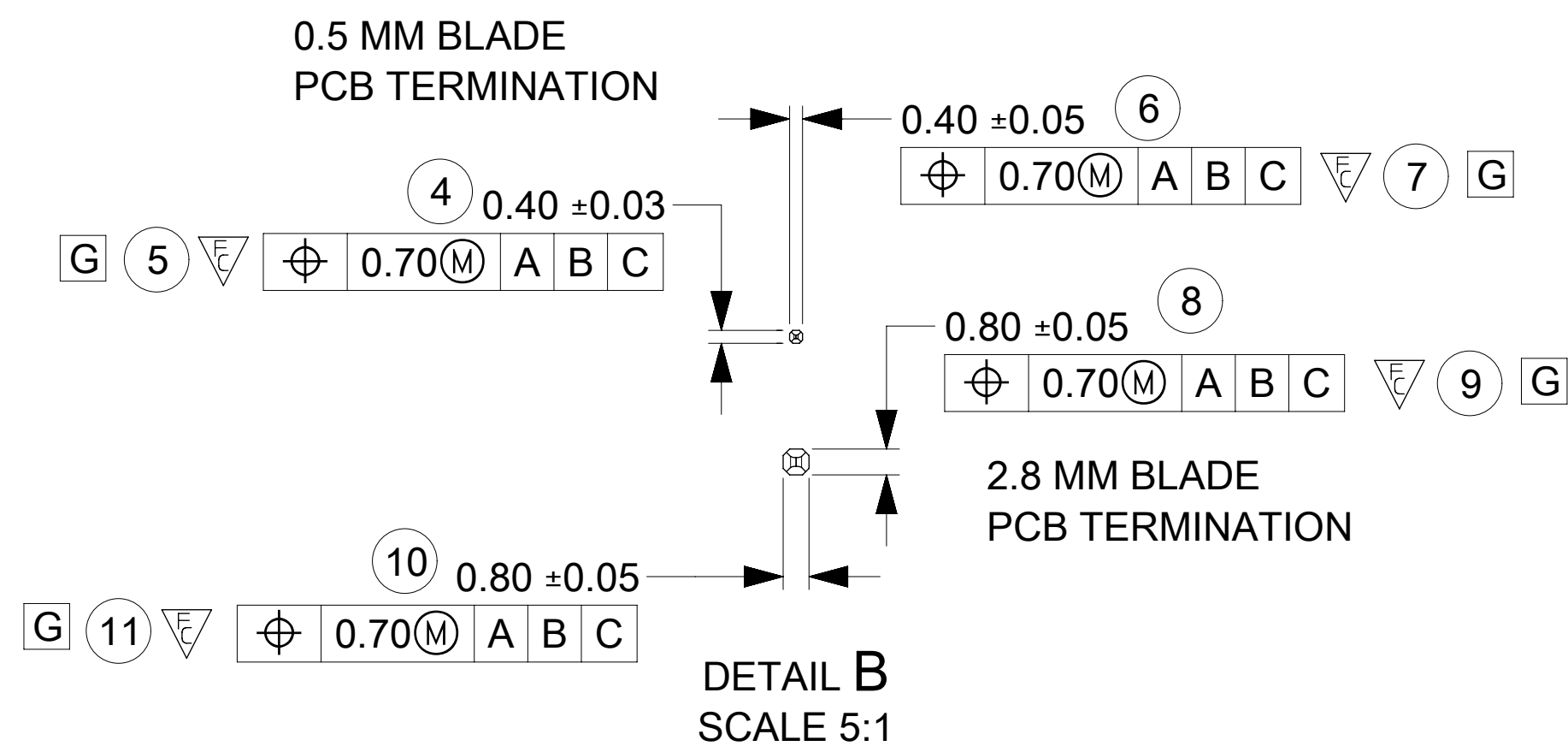


PIN 1 LOCATION CHART		
BAY	DIM X	DIM Y
12 WAY	4.0	3.8
25 WAY	4.0	4.63
27 WAY	4.6	3.8
28 WAY	4.6	3.8
32 WAY	4.0	3.8



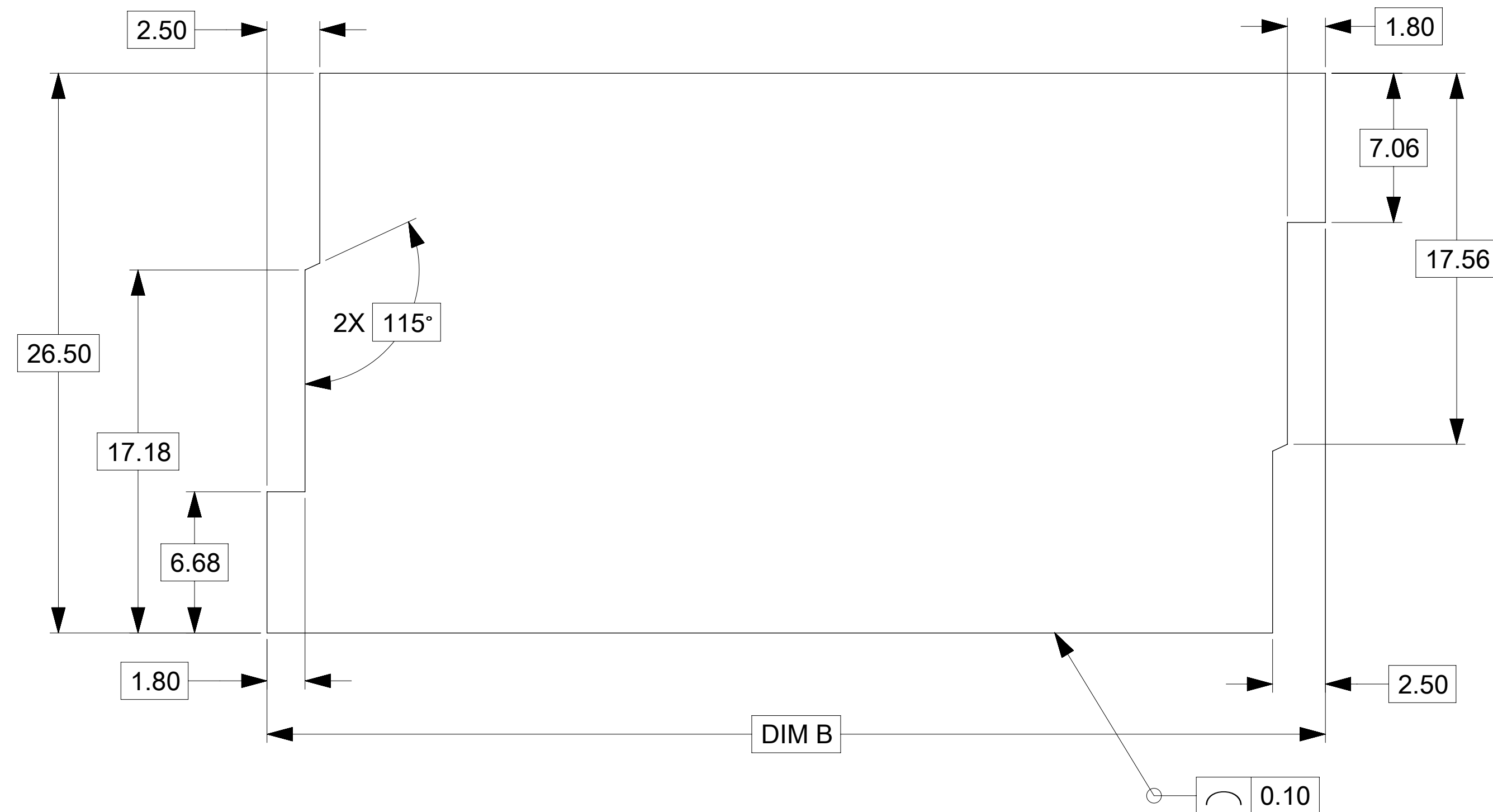
32 WAY  
2005010321  
2005010322  
2005010323  
2005010324

THIS DRAWING CONTAINS INFORMATION THAT IS PROPRIETARY TO MOLEX ELECTRONIC TECHNOLOGIES, LLC AND SHOULD NOT BE USED WITHOUT WRITTEN PERMISSION											
DIMENSION UNITS <b>mm</b>		SCALE <b>5:1</b>		CURRENT REV DESC: SEE REVISION TABLE							
GENERAL TOLERANCES (UNLESS SPECIFIED)				 STAK50H MODULAR HEADER VERT MULTIPLE BAY PRODUCT CUSTOMER DRAWING							
ANGULAR TOL ± °											
4 PLACES ± 0.0		EC NO: 684964									
3 PLACES ± 0.0		DRWN: RGV 2021/11/11									
2 PLACES ± 0.13		CHK'D: JCONDON 2021/11/11									
1 PLACE ± 0.25		APPR: JCONDON 2021/11/11		INITIAL REVISION:		DOCUMENT NUMBER		DOC TYPE	DOC PART	REVISION	
0 PLACES ± 0.0		DRWN: JRUTTER 2016/05/04		2005050000		PSD		000	C11		
DRAFT WHERE APPLICABLE MUST REMAIN WITHIN DIMENSIONS		THIRD ANGLE PROJECTION		DRAWING <b>D-SIZE</b>		SERIES <b>200505</b>		MATERIAL NUMBER SEE CHART		CUSTOMER	SHEET NUMBER 3 OF 4



TYPICAL PCB TERMINATIONS  
SIZE AND TRUE POSITION TOLERANCES  
SEE INDIVIDUAL SINGLE BAY DRAWINGS FOR LOCATIONS (CHART ON SHEET 1)  
PARTS TO BE INSPECTED WITH FUNCTIONAL GAGE  
SEE NOTE 3.8

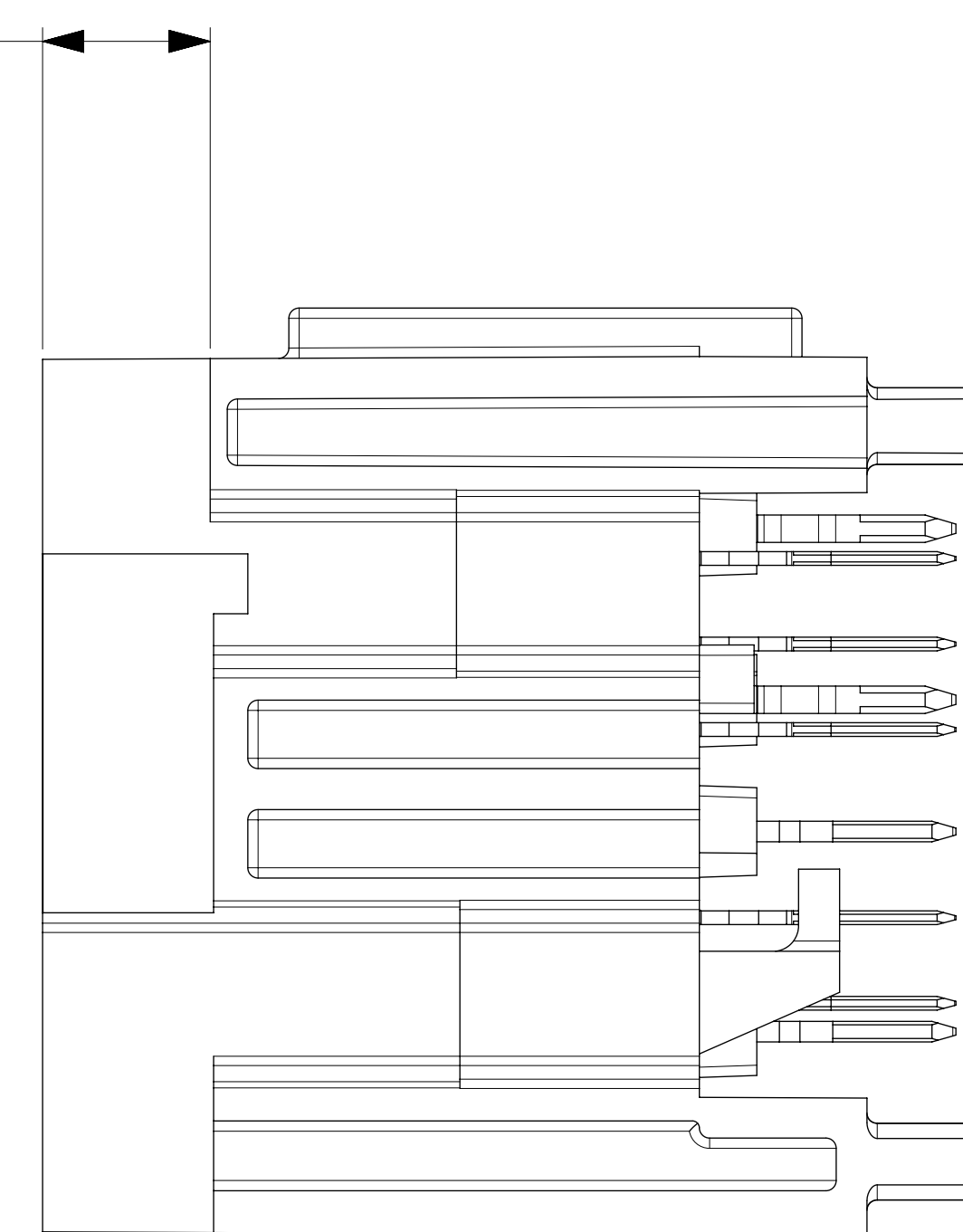
RECOMMENDED MODULE OPENING  
TO PASS ISO 20653 IP-4  
FOR INDIVIDUAL CONNECTOR IP RATINGS SEE PRODUCT SPECIFICATION IN NOTE 1.2



QTY BAYS	DIM B
2	50.1
3	73.5
4	96.9
5	120.3
6	143.7
7	167.1

FOR PACKAGE SPACE FOR CONNECTOR  
UNMATED AND MATED WITH COVER  
SEE INTERFACE DRAWINGS (CHART ON SHEET 1)

(4.90)  
SPACE FOR  
MODULE  
COVER



THIS DRAWING CONTAINS INFORMATION THAT IS PROPRIETARY TO MOLEX ELECTRONIC TECHNOLOGIES, LLC AND SHOULD NOT BE USED WITHOUT WRITTEN PERMISSION

DIMENSION UNITS	SCALE	CURRENT REV DESC: SEE REVISION TABLE	
mm	5:1		
GENERAL TOLERANCES (UNLESS SPECIFIED)			
ANGULAR TOL	± °		
4 PLACES	± 0.0	EC NO: 684964	
3 PLACES	± 0.0	DRWN: RGV	2021/11/11
2 PLACES	± 0.13	CHK'D: JCONDON	2021/11/11
1 PLACE	± 0.25	APPR: JCONDON	2021/11/11
0 PLACES	± 0.0	INITIAL REVISION:	
DRAFT WHERE APPLICABLE MUST REMAIN WITHIN DIMENSIONS		DRWN: JRUTTER	2016/05/04
		APPR: KDEKOSKI	2016/06/17
THIRD ANGLE PROJECTION		DRAWING	SERIES
		D-SIZE	200505
		MATERIAL NUMBER	CUSTOMER
		SEE CHART	
		DOCUMENT NUMBER	DOC TYPE DOC PART REVISION
		2005050000	PSD 000 C11
		SHEET NUMBER	
		4 OF 4	

**molex**

STAK50H MODULAR HEADER VERT MULTIPLE BAY

PRODUCT CUSTOMER DRAWING