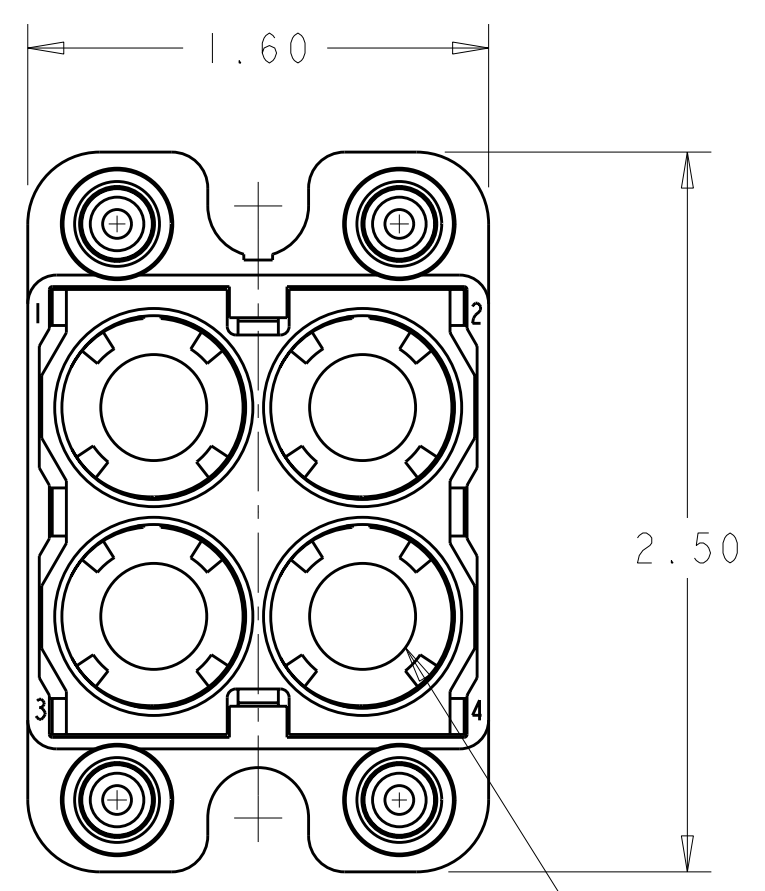
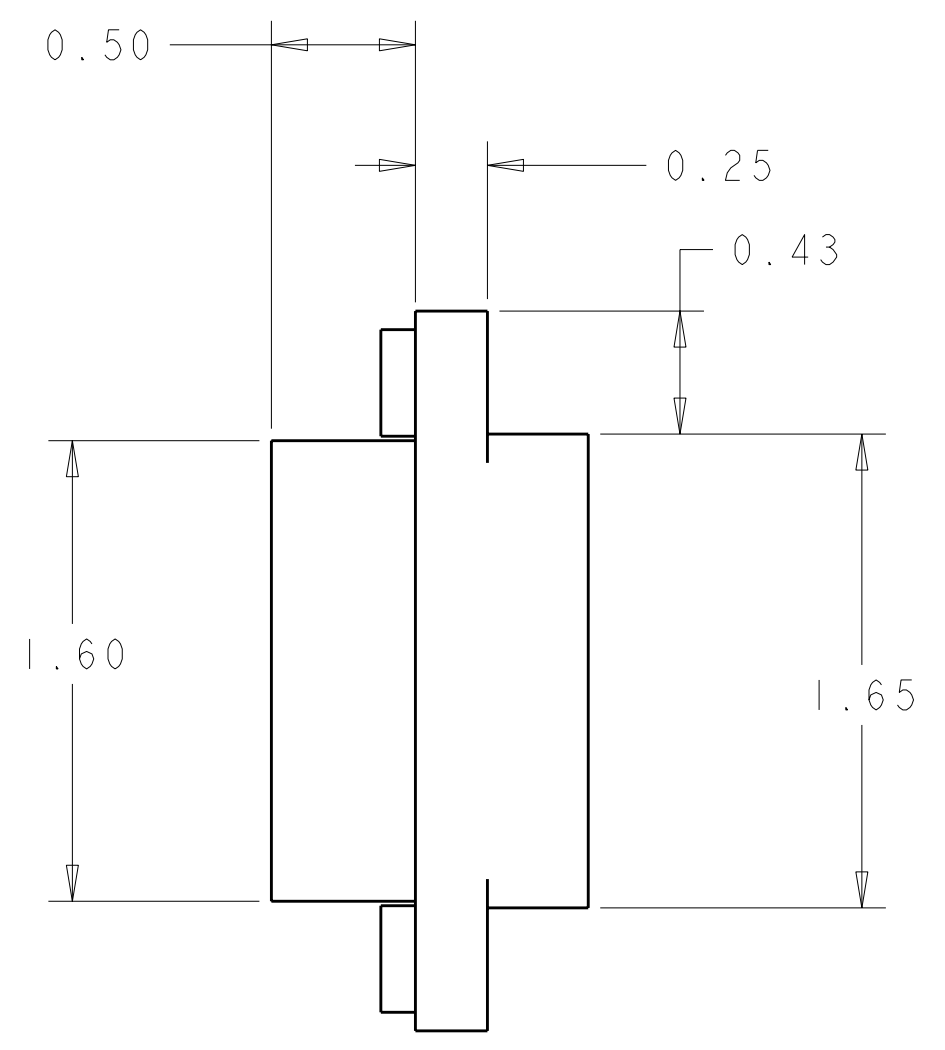
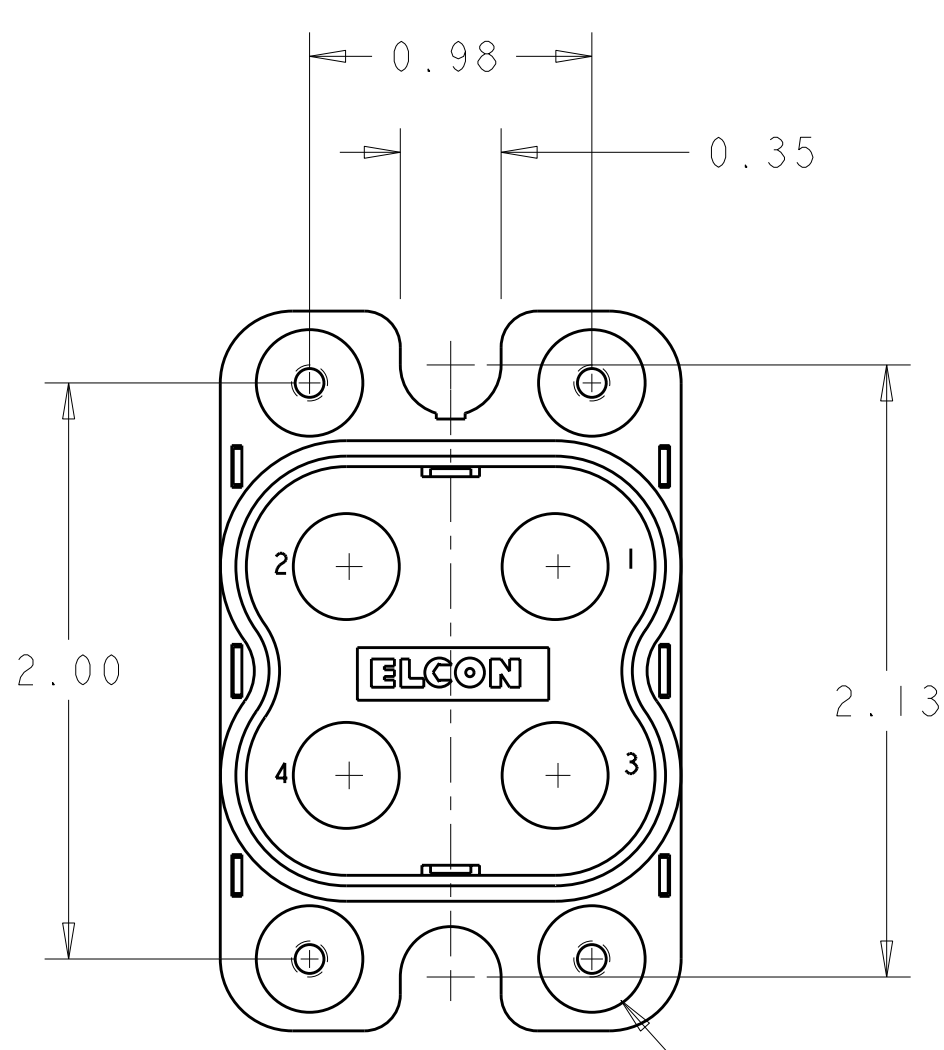


THIS DRAWING IS UNPUBLISHED. RELEASED FOR PUBLICATION 20  
 © COPYRIGHT 20 BY TYCO ELECTRONICS CORPORATION. ALL RIGHTS RESERVED.

| LOC |     | DIST        |           | REVISIONS |      |  |  |
|-----|-----|-------------|-----------|-----------|------|--|--|
| P   | LTR | DESCRIPTION | DATE      | DWN       | APVD |  |  |
|     | A   | NEW RELEASE | 26SEP2008 | CR        | DO   |  |  |
|     |     |             |           |           |      |  |  |
|     |     |             |           |           |      |  |  |



4X M3 INTERNALLY  
THREADED INSERTS

4X SIZE #0

- ITEMS PROVIDED TO THIS SPECIFICATION TO BE PERMANENTLY IDENTIFIED PER THE FOLLOWING IDENTIFIER LABEL  

|                      |           |             |      |
|----------------------|-----------|-------------|------|
| TYCO ELECTRONICS P/N | DATE CODE | YEAR        | WEEK |
| XXXXXXXX-X           | XXXX      | 1           | 1    |
|                      |           | (e.g. 0106) |      |
- PART NUMBER CHANGES AND/OR DESIGN CHANGES AFFECTING INTERCHANGEABILITY REQUIRE PRIOR TYCO ELECTRONICS APPROVAL AND AUTHORIZATION BY REVISION TO THIS DRAWING
- MATERIALS:  
 INSULATORS: THERMOPLASTIC, GLASS REINFORCED, UL94V-0 FLAMMABILITY RATED, COLOR-BLACK.  
 RETENTION CLIPS: COPPER ALLOY OR STAINLESS STEEL.
- FINISHES:  
 RETENTION CLIPS: BRIGHT DIP PICKLED PER INDUSTRY STANDARDS.
- CONTACTS PURCHASED SEPARATELY.

|             |           |
|-------------|-----------|
| AS SHOWN    | 2085000-1 |
| DESCRIPTION | PART NO.  |

|  |   |  |  |
|--|---|--|--|
| <small>THIS DRAWING IS A CONTROLLED DOCUMENT FOR TYCO ELECTRONICS CORPORATION. IT IS SUBJECT TO CHANGE AND THE CONTROLLING ENGINEERING ORGANIZATION SHOULD BE CONTACTED FOR THE LATEST REVISION.</small> |   | DWN C. ROHLER 26SEP2008<br>CHK D. ORRIS 26SEP2008<br>APVD M. PERCHERKE 26SEP2008 | Tyco Electronics<br>Harrisburg, PA 17105-3608  |
| DIMENSIONS:<br>mm<br>  | TOLERANCES UNLESS OTHERWISE SPECIFIED:<br>0 PLC ±<br>1 PLC ±0.1<br>2 PLC ±0.02<br>3 PLC ±0.010<br>4 PLC ±<br>ANGLES ±.5<br>FINISH | PRODUCT SPEC<br>APPLICATION SPEC<br>WEIGHT<br>CUSTOMER DRAWING                   | NAME<br>CONNECTOR PIN WITH RETENTION CLIPS QUAD POWER<br>SIZE CAGE CODE DRAWING NO<br>A200779 C-2085000<br>RESTRICTED TO |
|  |   | SCALE 3:2  | SHEET 1 OF 2 REV A   |

**ELCON** **QUAD POWER**

4

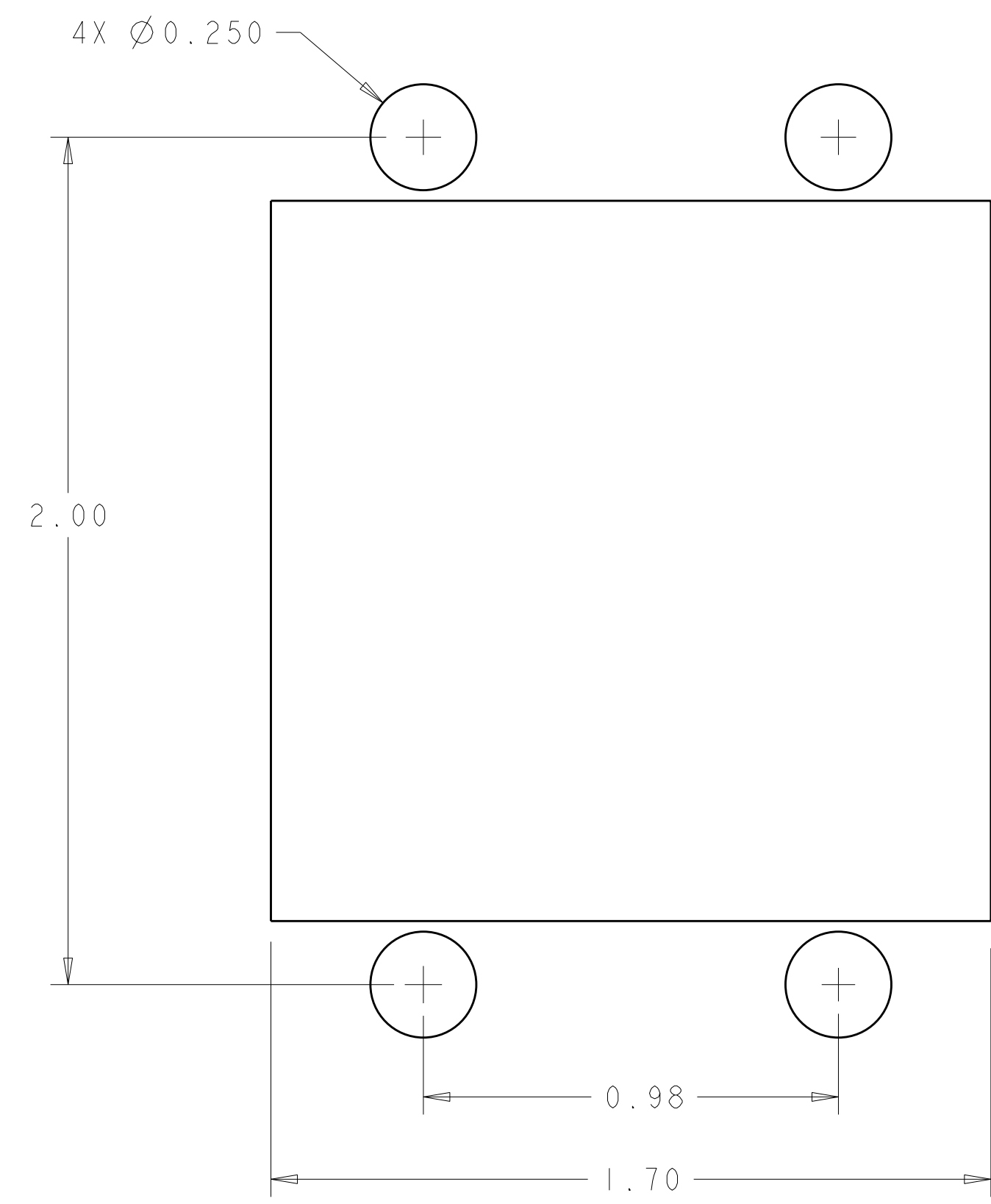
3

2

1

THIS DRAWING IS UNPUBLISHED. RELEASED FOR PUBLICATION 20  
 © COPYRIGHT 20 BY TYCO ELECTRONICS CORPORATION. ALL RIGHTS RESERVED.

| LOC | DIST | REVISIONS   |      |     |      |
|-----|------|-------------|------|-----|------|
| P   | LTR  | DESCRIPTION | DATE | DWN | APVD |
| -   | -    | SEE SHEET 1 | -    | -   | -    |
|     |      |             |      |     |      |
|     |      |             |      |     |      |



PANEL MOUNT  
 SCALE 3:1

|   |   |   |   |
|---|---|---|---|
| <small>THIS DRAWING IS A CONTROLLED DOCUMENT FOR TYCO ELECTRONICS CORPORATION<br/>         IT IS SUBJECT TO CHANGE AND THE CONTROLLING ENGINEERING ORGANIZATION<br/>         SHOULD BE CONTACTED FOR THE LATEST REVISION.</small> |   | DWN 26SEP2008<br>C. ROHLER<br>CHK 26SEP2008<br>D. ORRIS<br>APVD 26SEP2008<br>M. PERCHERKE | <b>Tyco Electronics</b><br>Tyco Electronics<br>Harrisburg, PA 17105-3608  |
| DIMENSIONS:<br>mm<br>   | TOLERANCES UNLESS OTHERWISE SPECIFIED:<br>0 PLC ±<br>1 PLC ±0.1<br>2 PLC ±.02<br>3 PLC ±.010<br>4 PLC ±<br>ANGLES ±.5<br>FINISH | PRODUCT SPEC<br>-<br>APPLICATION SPEC<br>-<br>WEIGHT<br>-<br>CUSTOMER DRAWING             | NAME<br>CONNECTOR PIN WITH RETENTION CLIPS QUAD POWER<br>SIZE CAGE CODE DRAWING NO RESTRICTED TO<br>A200779 C-2085000 -<br>SCALE 3:2 SHEET 2 OF 2 REV A |