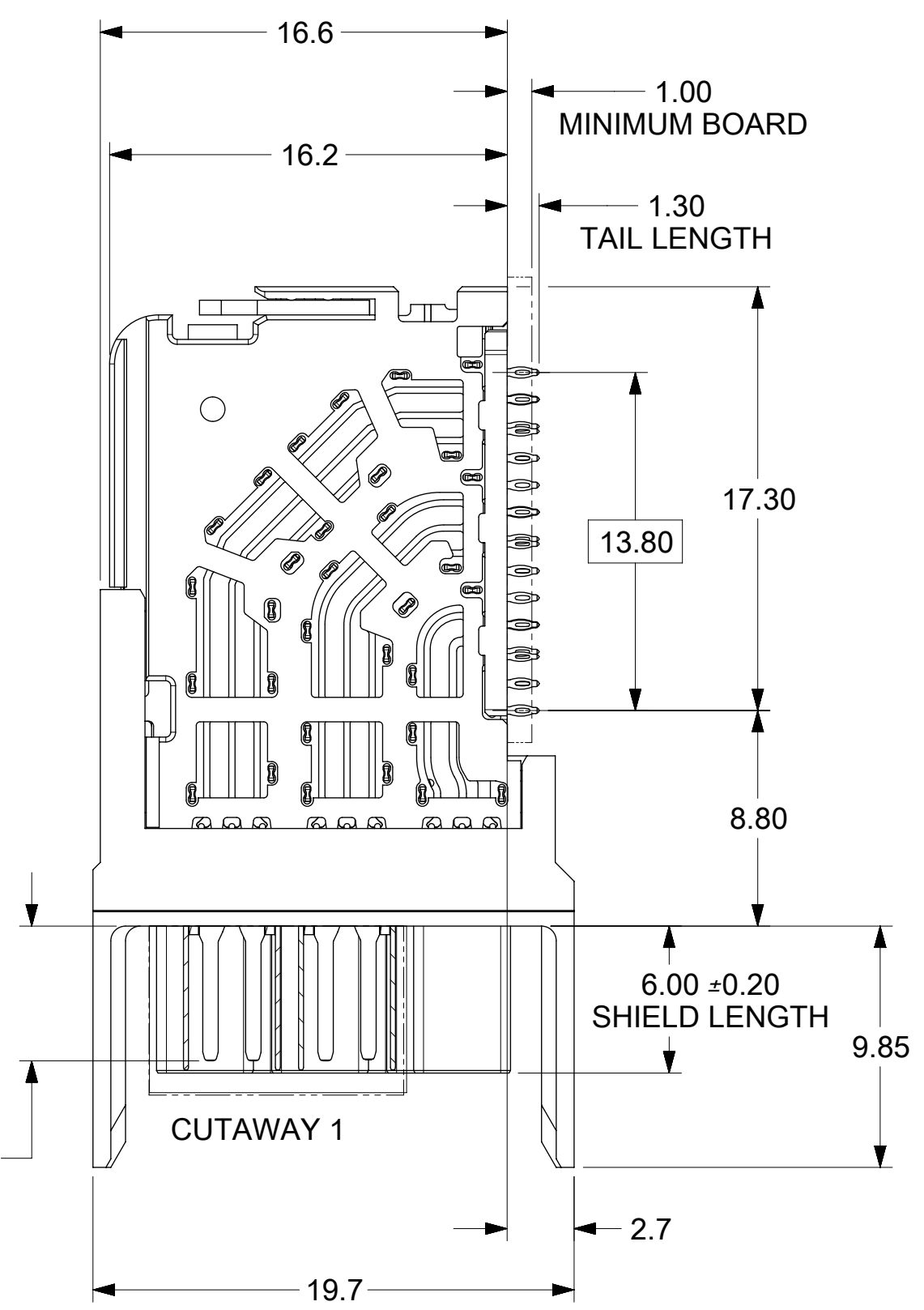
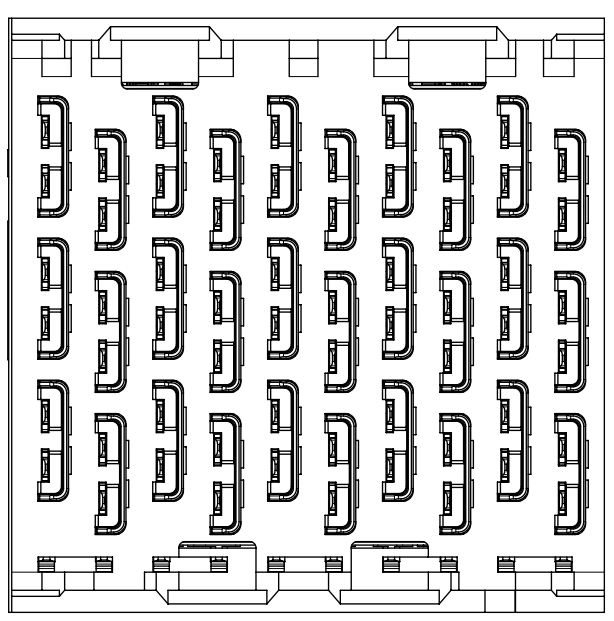


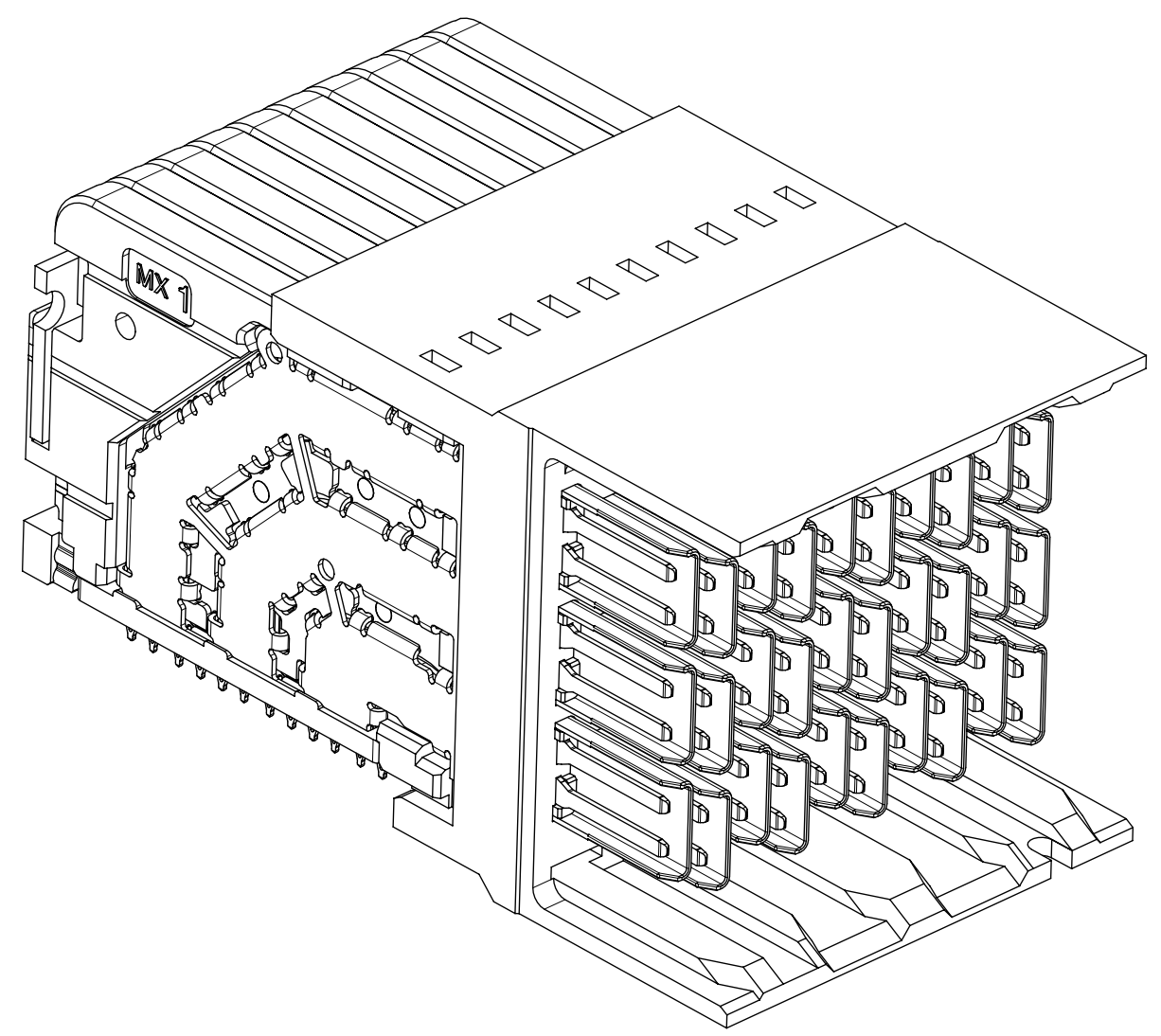
DIM "P" ±0.20
PIN LENGTH



CUTAWAY 1



- NOTES:
- MATERIALS: HOUSING - LIQUID CRYSTAL POLYMER (LCP) GLASS-FILLED, UL94V-0
TERMINALS - HIGH PERFORMANCE COPPER ALLOY
 - FINISH: REFER TO SHEET 2 FOR PLATING TYPE IN CONTACT AREA.
SELECTIVE TIN ON PCB TAILS.
NICKEL OVERALL.
 - REFER TO MOLEX PRODUCT SPECIFICATION 1727409990 FOR PERFORMANCE SPECIFICATIONS.
 - THIS PART CONFORMS TO CLASS B REQUIREMENTS OF COSMETIC SPEC PS-45499-002.
 - PRODUCT WILL BE PACKAGED PER 2157250001-PK.
 - SEE SHEET 2 FOR PCB LAYOUT.
 - MATES WITH IMPEL DAUGHTERCARD SERIES NUMBER 172730 (UNGUIDED).
 - REFER TO IMPEL PCB ROUTING GUIDE AS-171320-990 FOR ANTIPAD, ROUTING RECOMMENDATIONS, AND ADDITIONAL PCB INFORMATION.
 - WHEN STACKING MODULES END TO END, THE MINIMUM COLUMN TO COLUMN HOLE SPACING IS 2.65mm.
 - COMPONENT PLACEMENT AND TRACE KEEP OUT ZONE; DO NOT PLACE ANY OTHER COMPONENT OR ROUTE ANY TOP LAYER TRACES IN THIS AREA.



THIS DESIGN IS BASED ON DESIGN OBJECTIVES AND IS STRICTLY TENTATIVE. IT MAY CHANGE BASED ON RESULTS OF ADDITIONAL DESIGN REVIEWS & VERIFICATIONS.

THIS DRAWING CONTAINS INFORMATION THAT IS PROPRIETARY TO MOLEX ELECTRONIC TECHNOLOGIES, LLC AND SHOULD NOT BE USED WITHOUT WRITTEN PERMISSION									
DIMENSION UNITS		SCALE		CURRENT REV DESC: INITIAL RELEASE					
mm		NTS		<p>IMPEL PLUS 3 PAIR RIGHT ANGLE MALE (RAM) UNGUIDED SALES DRAWING</p> <p>PRODUCT CUSTOMER DRAWING</p>					
GENERAL TOLERANCES (UNLESS SPECIFIED)									
ANGULAR TOL ± 0.5°									
4 PLACES ±									
3 PLACES ±									
2 PLACES ± 0.13				EC NO: 639790		2020/07/02		DOCUMENT NUMBER	
1 PLACE ± 0.25				DRWN: YLLIM		2020/07/06		2157250001-SD	
0 PLACES ±				CHK'D: HLGHO		2020/07/16		DOC TYPE DOC PART REVISION	
DRAFT WHERE APPLICABLE MUST REMAIN WITHIN DIMENSIONS				APPR: DWLEE01		2020/07/16		PSD 000 A	
THIRD ANGLE PROJECTION		DRAWING		SERIES		MATERIAL NUMBER		CUSTOMER	
		C-SIZE		215725		SEE TABLE		GENERAL MARKET	
								SHEET NUMBER	
								1 OF 2	

DOCUMENT STATUS	P1	RELEASE DATE	2020/07/16	00:10:27
-----------------	----	--------------	------------	----------

MATERIAL NUMBER	NUMBER OF COLUMNS	NUMBER OF DIFFERENTIAL PAIRS	DIM "P"	DIM "G"	DIM "H"	CONTACT PLATING TYPE
215725-1104	10	30	4.90	19.75 MAX	17.10	30 uIN GOLD
215725-1105	10	30	5.50	19.75 MAX	17.10	

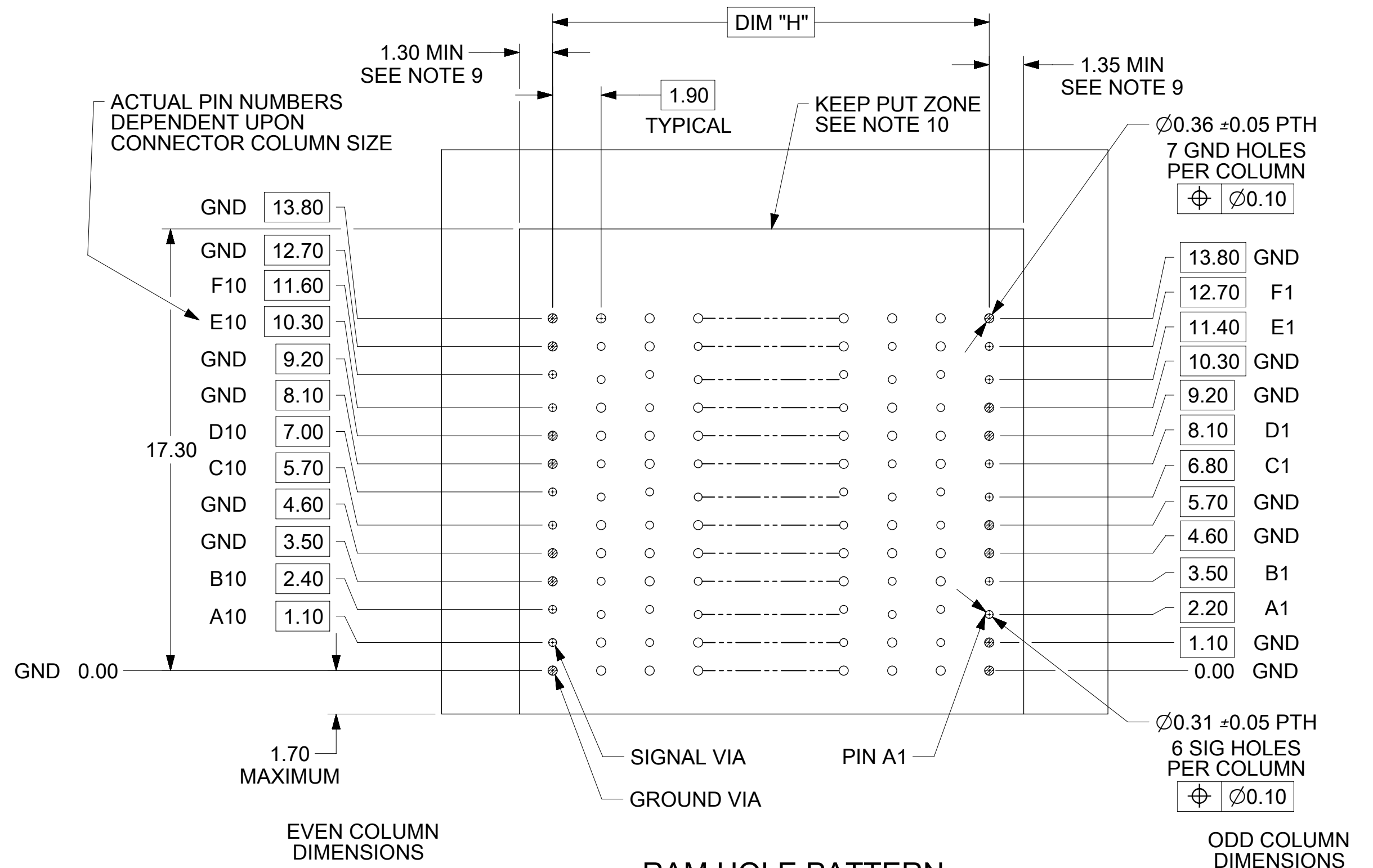
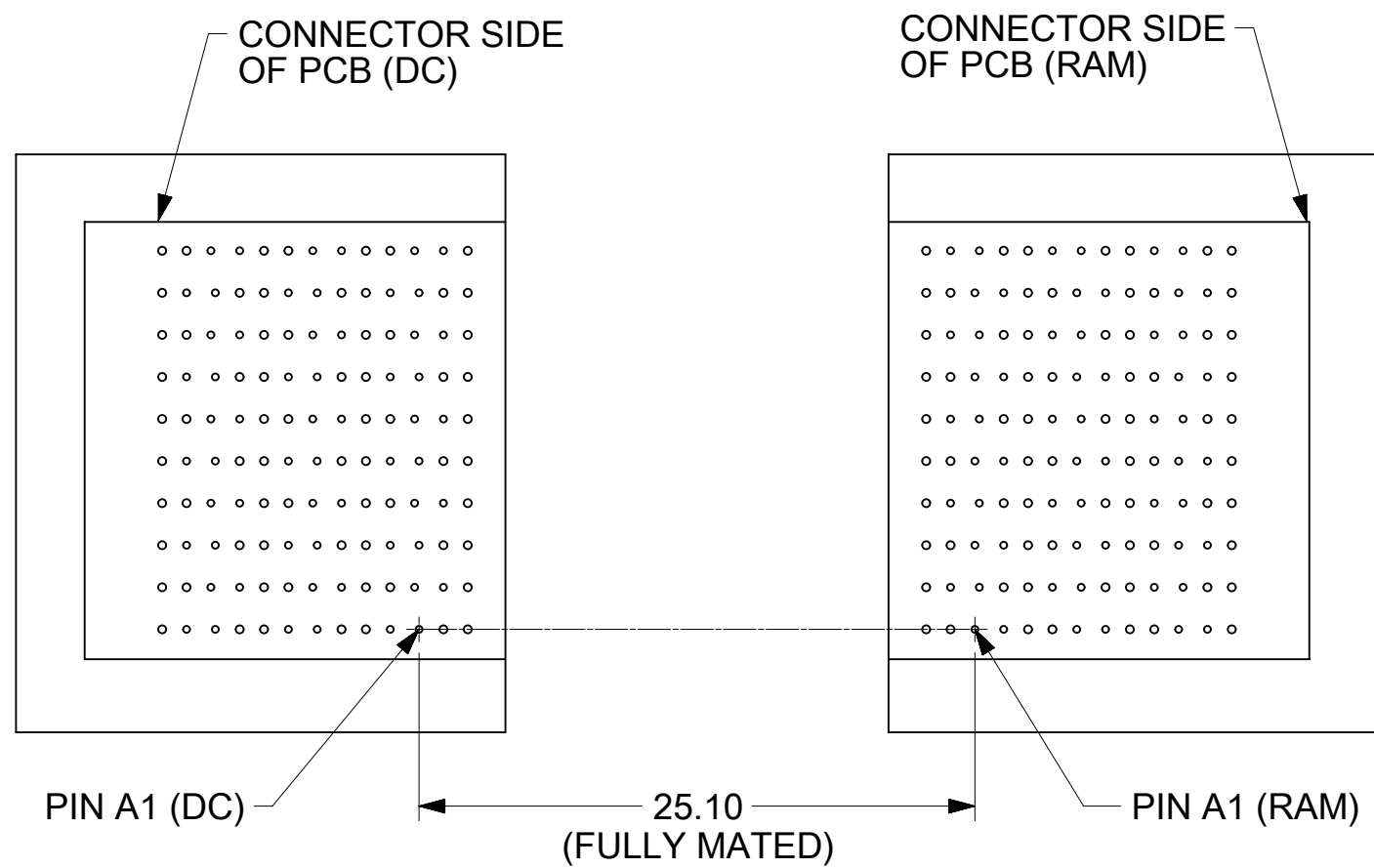
215725-1***

MODULE TYPE
1 = UNGUIDED

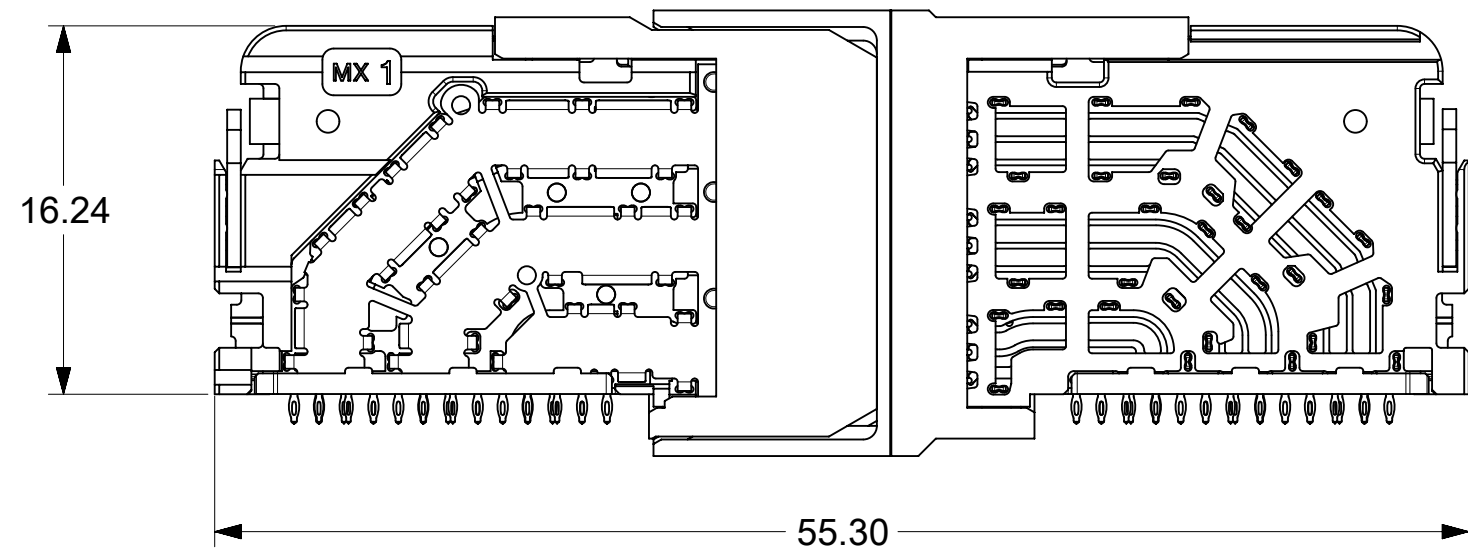
COLUMN SIZE
8 = 8 COLUMN
1 = 10 COLUMN
2 = 12 COLUMN
6 = 16 COLUMN

PIN LENGTH (P)
4 = 4.90MM (0.31 PTH) TYPE 31
5 = 5.50MM (0.31 PTH) TYPE 31

HOUSING STYLE
0 = OPEN ENDS
1 = LEFT END WALL
2 = DUAL END WALL
3 = RIGHT END WALL



RAM HOLE PATTERN (CONNECTOR SIDE)



THIS DRAWING CONTAINS INFORMATION THAT IS PROPRIETARY TO MOLEX ELECTRONIC TECHNOLOGIES, LLC AND SHOULD NOT BE USED WITHOUT WRITTEN PERMISSION											
DIMENSION UNITS		SCALE		CURRENT REV DESC: INITIAL RELEASE						molex	
mm	NTS										
GENERAL TOLERANCES (UNLESS SPECIFIED)				EC NO: 639790						IMPEL PLUS 3 PAIR RIGHT ANGLE MALE (RAM) UNGUIDED SALES DRAWING	
ANGULAR TOL ± 0.5°				4 PLACES ±		DRWN: YLLIM		2020/07/02		PRODUCT CUSTOMER DRAWING	
3 PLACES ±				3 PLACES ±		CHK'D: HLG0H		2020/07/06		DOCUMENT NUMBER	
2 PLACES ± 0.13				2 PLACES ±		APPR: DWLEE01		2020/07/16		DOC TYPE DOC PART REVISION	
1 PLACE ± 0.25				1 PLACE ±		INITIAL REVISION:		DRWN: MMALLIGEVALU		2020/03/12	
0 PLACES ±				0 PLACES ±		APPR: DWLEE01		2020/07/16		2157250001-SD	
DRAFT WHERE APPLICABLE MUST REMAIN WITHIN DIMENSIONS				THIRD ANGLE PROJECTION		DRAWING		SERIES		MATERIAL NUMBER	
						C-SIZE		215725		SEE TABLE	
						GENERAL MARKET				SHEET NUMBER	
										2 OF 2	