

△ TABLE 1

NOTES

- △1 材料及び仕上げ(めっき仕様) : TABLE 1参照
MATERIAL AND FINISHES : SEE TABLE 1
2. 製品仕様書 : 511630000-PS 000
PRODUCT SPECIFICATION:511630000-PS 000
3. 嵌合相手 : 51163 シリーズ
MATES WITH:51163 SERIES
4. アプリケーション仕様書(コネクタ取扱い説明書) : 2166940000-AS PS 000
APPLICATION SPECIFICATION(CONNECTOR MANUAL) : 2166940000-AS PS 000
- △5 偶数極に適合
APPLY FOR EVEN CIRCUIT
6. GLOW WIRE TEST適合品
THIS PRODUCT IS GLOW WIRE TEST COMPATIBLE.
7. ターミナルとネイルの平坦度は0.15mm以下
TERMINAL AND NAIL COPLANARITY : 0.15mm MAXIMUM.
- △8 発注番号 ORDER NUMBER

215931 ** 7 *

極数
CIRCUIT SIZE

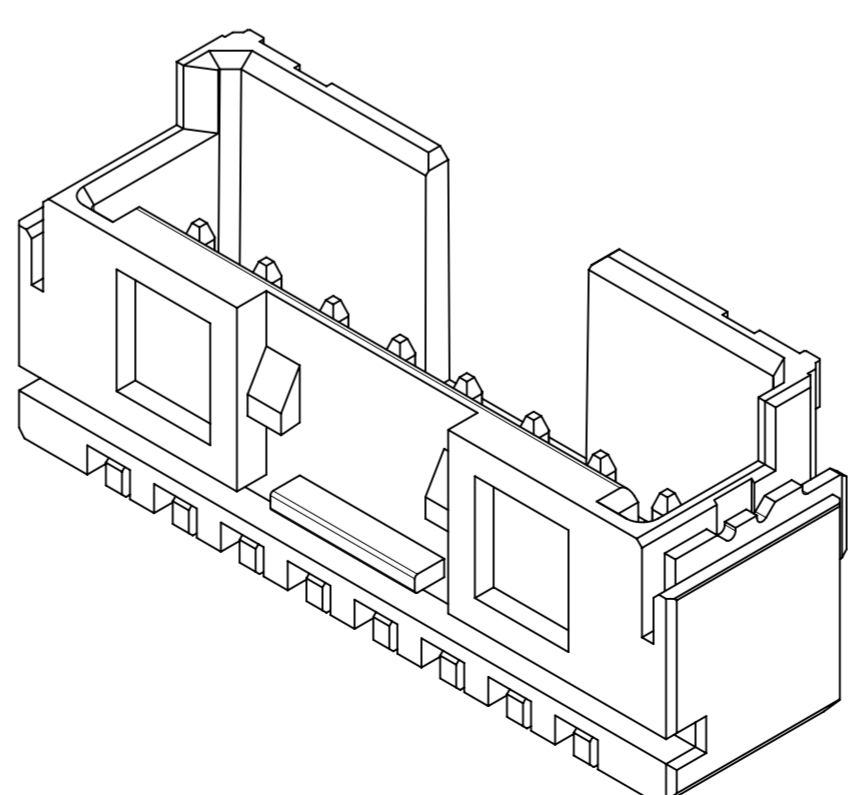
番号 NO.	ハウジングカラー HOUSING COLOR
0	ナチュラル(ベージュ) NATURAL(BEIGE)
1	黒 BLACK

△8 製品一覧 PRODUCT LIST

				黒 BLACK	ナチュラル (ベージュ) NATURAL (BEIGE)	ハウジングカラー HOUSING COLOR
6	38.2	35	42.1	2159311571	2159311570	15
6	35.7	32.5	39.6	2159311471	2159311470	14
6	33.2	30	37.1	2159311371	2159311370	13
6	30.7	27.5	34.6	2159311271	2159311270	12
6	28.2	25	32.1	2159311171	2159311170	11
6	25.7	22.5	29.6	2159311071	2159311070	10
6	23.2	20	27.1	2159310971	2159310970	9
6	20.7	17.5	24.6	2159310871	2159310870	8
6	18.2	15	22.1	2159310771	2159310770	7
6	15.7	12.5	19.6	2159310671	2159310670	6
6	13.2	10	17.1	2159310571	2159310570	5
6	10.7	7.5	14.6	2159310471	2159310470	4
5	8.2	5	12.1	2159310371	2159310370	3
2.5	5.7	2.5	9.6	2159310271	2159310270	2
D	C	B	A	オーダー番号 : ORDER NUMBER		極数 CIRCUIT SIZE
梱包形態 : エンボス梱包 PACKAGING : EMBOSSED TAPE AND REEL						

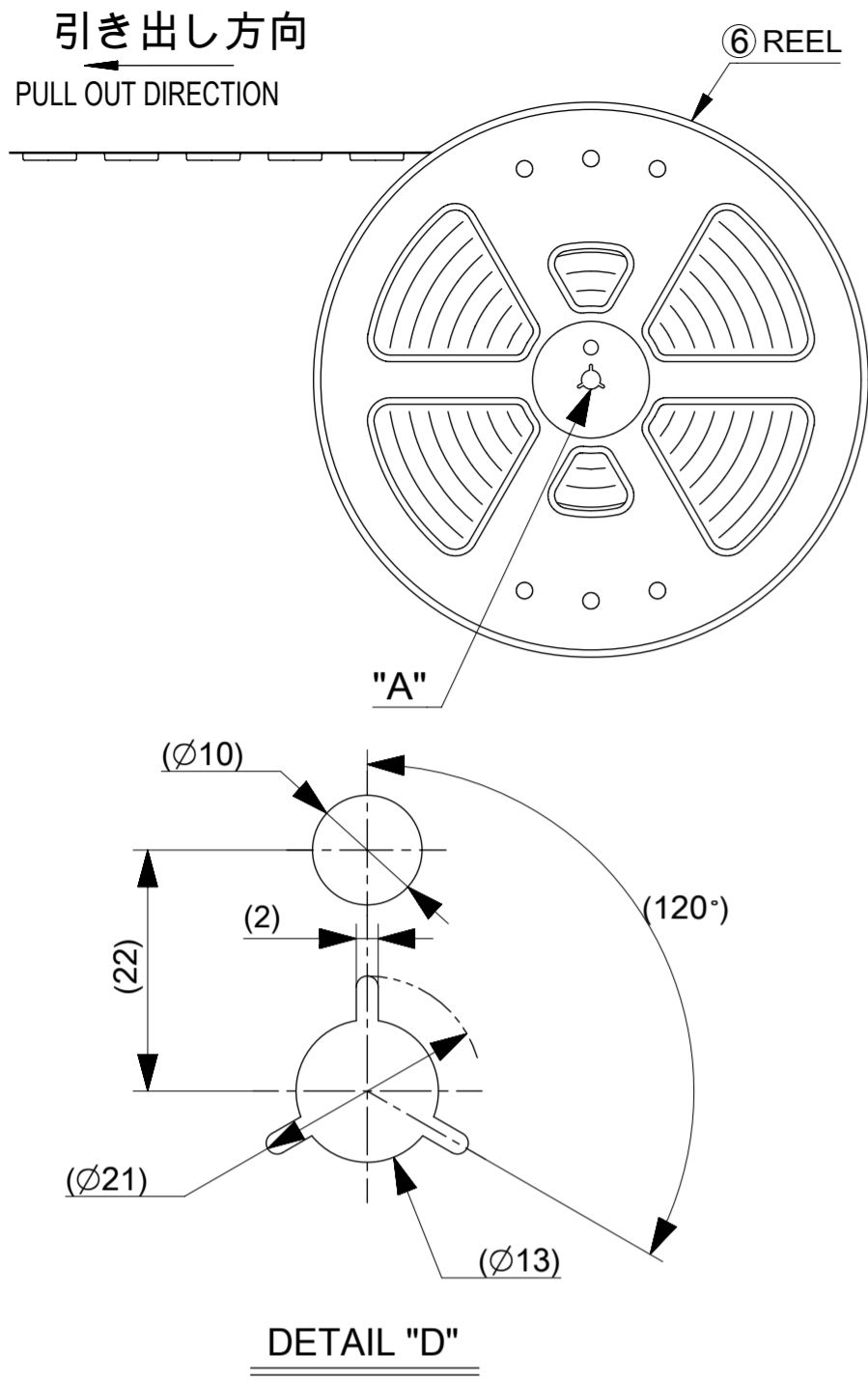
THIS DRAWING CONTAINS INFORMATION THAT IS PROPRIETARY TO MOLEX ELECTRONIC TECHNOLOGIES, LLC AND SHOULD NOT BE USED WITHOUT WRITTEN PERMISSION

DIMENSION UNITS	SCALE	CURRENT REV DESC:	molex			
mm	NTS		MINI-LOCK 2.5 SINGLE ROW HEADER ASSEMBLY SMT VT			
GENERAL TOLERANCES (UNLESS SPECIFIED)						
ANGULAR TOL	± 3.0°	EC NO: 701596	PRODUCT CUSTOMER DRAWING			
4 PLACES	± 0.2	DRWN: RWATANABE01 2021/10/18				
3 PLACES	± 0.2	CHK'D: AIDA 2022/03/31	DOCUMENT NUMBER			
2 PLACES	± 0.2	APPR: SAKIYAMA 2022/04/01				
1 PLACE	± 0.2	INITIAL REVISION:	2159310000-SD			
0 PLACES	± 0.2	DRWN: RWATANABE01 2021/10/18				
DRAFT WHERE APPLICABLE MUST REMAIN WITHIN DIMENSIONS		APPR: SAKIYAMA 2022/04/01	MATERIAL NUMBER		CUSTOMER	SHEET NUMBER
THIRD ANGLE PROJECTION		DRAWING	SERIES	SEE SHEET1	GENERAL	1 OF 3
A2-SIZE		215931				



番号 NO.	部品 PART	材質 MATERIAL
①	ハウジング HOUSING	ポリアミド(PA),ガラス充填,UL94 V-0,色 : SHEET 1参照 POLYAMIDE (PA),GLASS FILLED,UL94 V-0,COLOR:SEE SHEET 1
②	ターミナル TERMINAL	黄銅 BRASS 錫めっき : 1.0 MICROMETER MINIMUM MATTE TIN PLATING ニッケルめっき(下地めっき) : 1.0 MICROMETER MINIMUM NICKEL PLATING (UNDER PLATING)
③	ネイル NAIL	黄銅 BRASS 錫めっき : 1.0 MICROMETER MINIMUM MATTE TIN PLATING ニッケルめっき(下地めっき) : 1.0 MICROMETER MINIMUM NICKEL PLATING (UNDER PLATING)

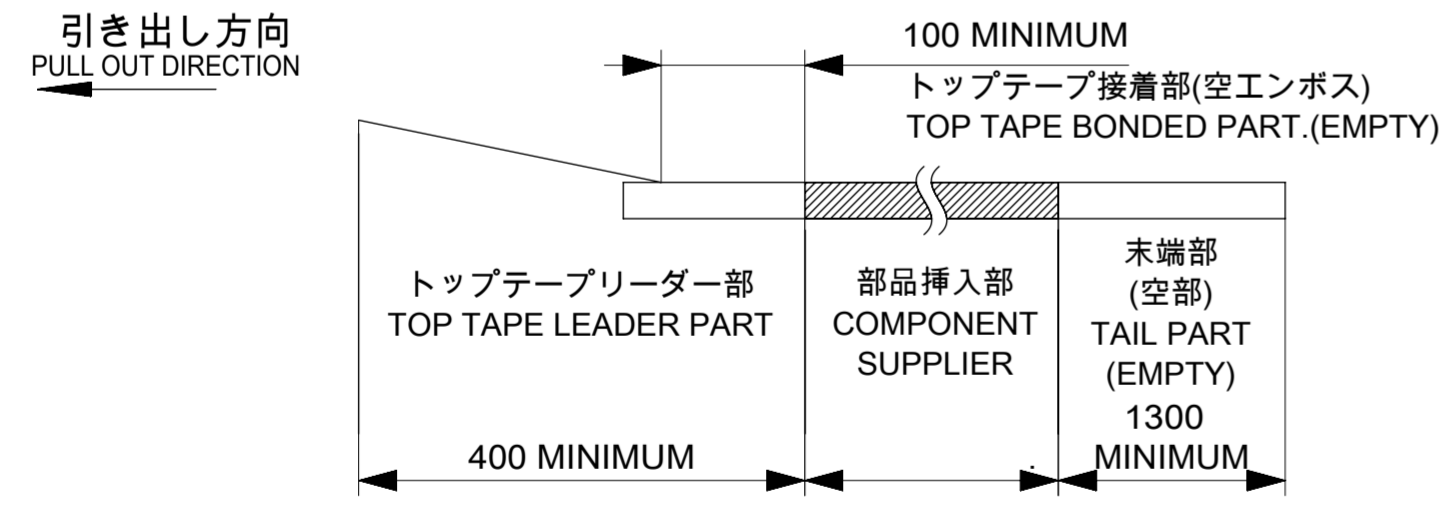
DOCUMENT STATUS	P1	RELEASE DATE	2022/04/01	10:28:19
-----------------	----	--------------	------------	----------



NOTES

9. 梱包数量 : 350個 / リール
NUMBER OF CONNECTORS : 350 PIECES/REEL.

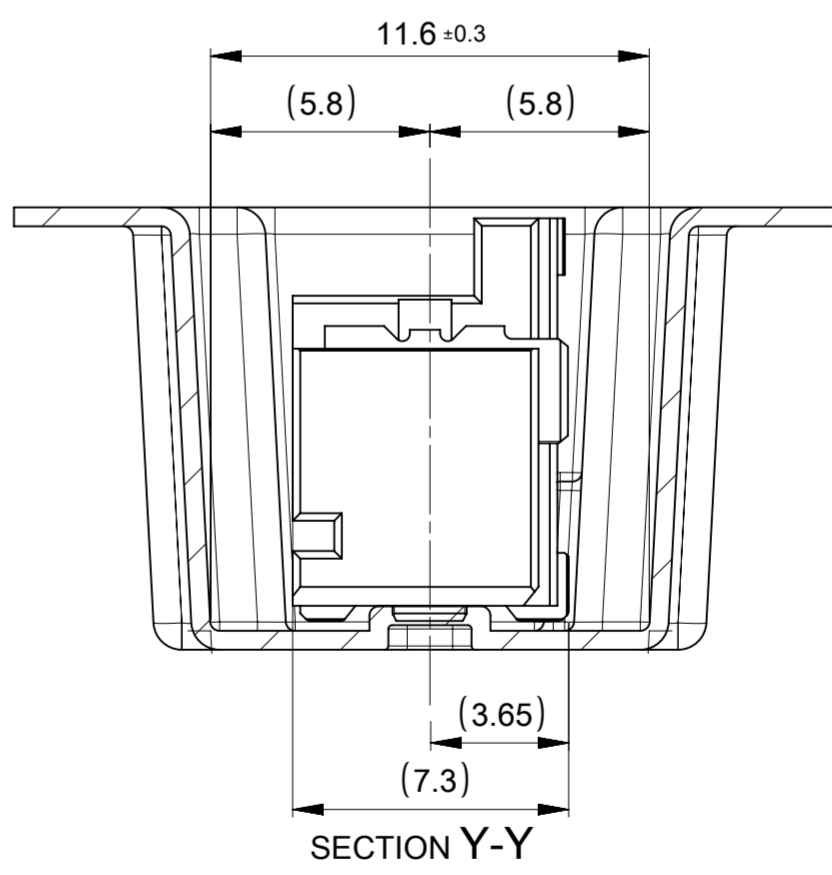
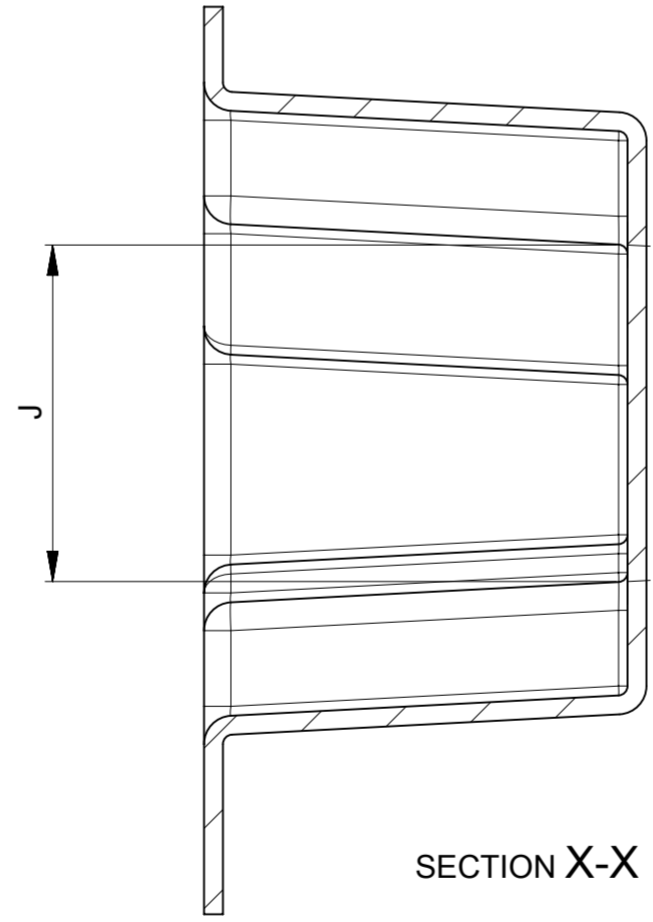
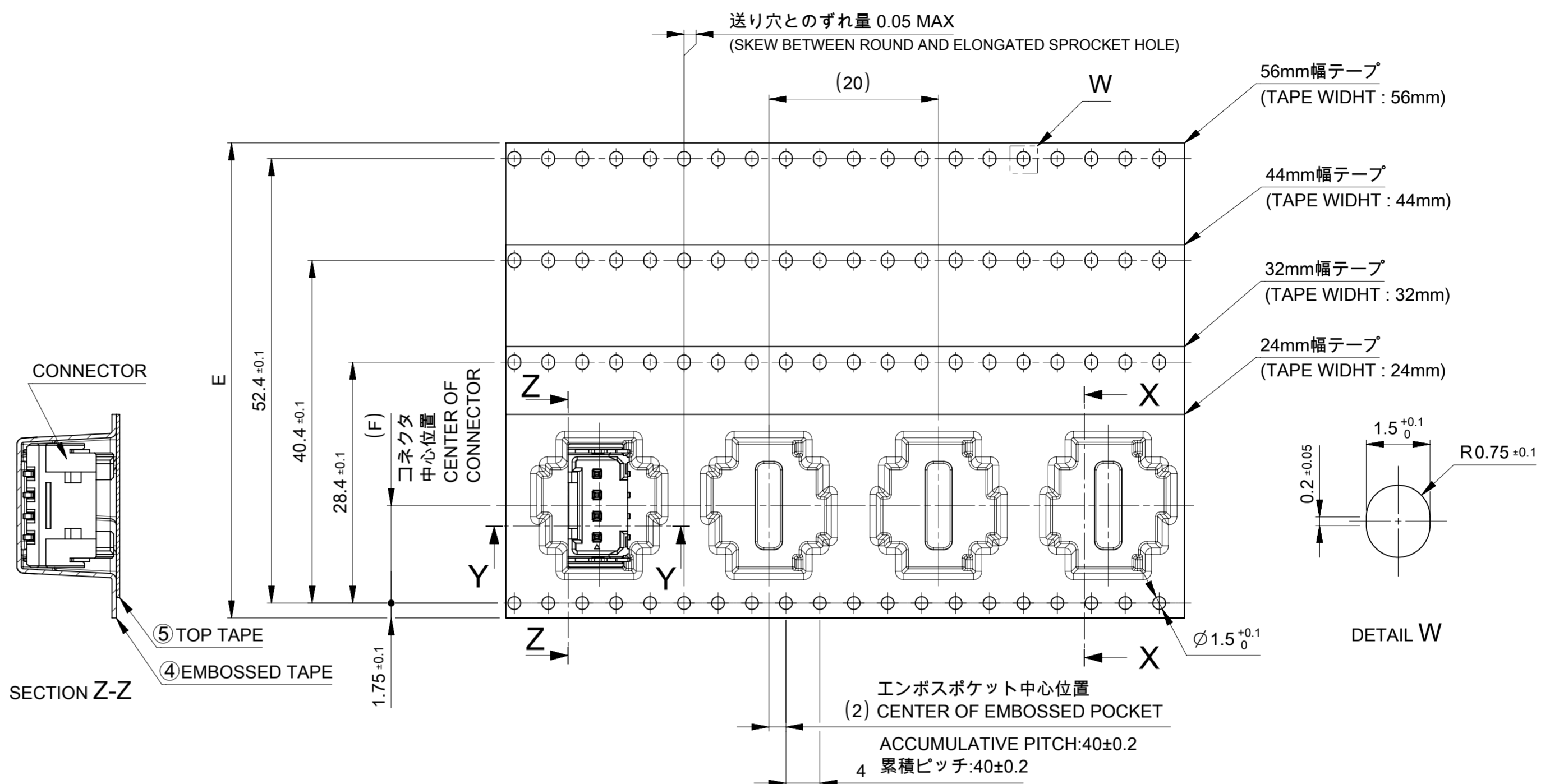
10. リードテープ長さ
LEAD TAPE LENGTH.



11. トップテープの剥離強度はIEC60286-3に準拠
TOP TAPE PEELING FORCE IS DEFINED BY IEC60286-3

12. 梱包仕様書 : 2159319200-SPK 200
PACKAGING SPECIFICATION: 2159319200-SPK 200

引き出し方向
PULL OUT DIRECTION



36.4					15
33.9					14
31.4	61.4	57.4	26.2	56 ± 0.3	13
28.9					12
26.4					11
23.9					10
21.4					9
18.9	49.4	45.4	20.2	44 ± 0.3	8
16.4					7
13.9					6
11.4	37.4	33.4	14.2	32 ± 0.3	5
8.9					4
6.4	29.4	25.4	11.5	24 ^{+0.3} / _{-0.1}	3
3.9					2
J	H	G	F	E	極数 CIRCUIT SIZE

番号 NO.	部品 PART	材質 MATERIAL
④	エンボステープ EMBOSSSED TAPE	ポリスチレン(PS) POLYSTYRENE(PS)
⑤	トップテープ TOP TAPE	ポリエチレン(PE), その他 POLYETHYLENE(PE), ETC
⑥	リール REEL	ポリスチレン(PS) <リサイクル材を含む> POLYSTYRENE(PS) <RECYCLE MATERIAL CONTAINED>

THIS DRAWING CONTAINS INFORMATION THAT IS PROPRIETARY TO MOLEX ELECTRONIC TECHNOLOGIES, LLC AND SHOULD NOT BE USED WITHOUT WRITTEN PERMISSION

DIMENSION UNITS	SCALE	CURRENT REV DESC:
mm	NTS	
GENERAL TOLERANCES (UNLESS SPECIFIED)		
ANGULAR TOL	± 3.0°	
4 PLACES	± 0.2	EC NO: 701596
3 PLACES	± 0.2	DRWN: RWATANABE01 2021/10/18
2 PLACES	± 0.2	CHK'D: AIDA 2022/03/31
1 PLACE	± 0.2	APPR: SAKIYAMA 2022/04/01
0 PLACES	± 0.2	INITIAL REVISION:
DRAFT WHERE APPLICABLE MUST REMAIN WITHIN DIMENSIONS		
THIRD ANGLE PROJECTION	DRAWING	SERIES
	A2-SIZE	215931
MATERIAL NUMBER		CUSTOMER
SEE SHEET1		GENERAL
DOCUMENT NUMBER		DOC TYPE DOC PART REVISION
2159310000-SD		PSD 000 A
SHEET NUMBER		
3 OF 3		

molex

MINI-LOCK 2.5
SINGLE ROW HEADER ASSEMBLY SMT VT

PRODUCT CUSTOMER DRAWING