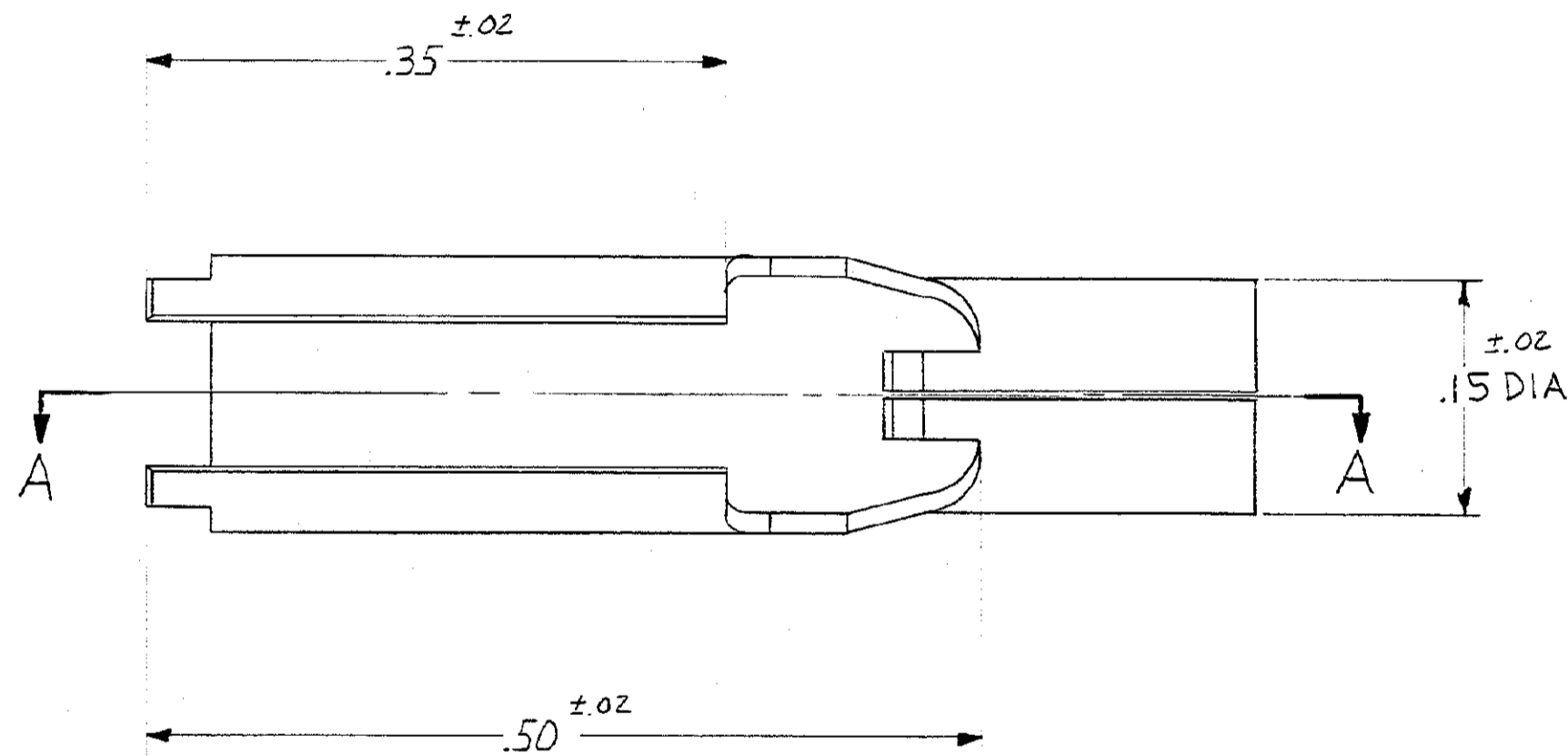


SECT. A-A



- MATL: 1/2 HARD BERYLLIUM COPPER PER QQ-C-533.
- PLATING: .000030 MIN. GOLD PER MIL-G-45204 OVER .0001 NICKEL PER QQ-N-290.

DIMENSIONS IN INCHES. DO NOT SCALE PRINT.

435096-1 AS SHOWN

REV	DESCRIPTION	DATE	BY	CHKD
1	REVISED PLATING	3-15-71	Cliff Baker	
2	ADDED DIMS. 1, 2, 3, 4, 5, 6, 7, 8, 9, 10, 11, 12, 13, 14, 15, 16, 17, 18, 19, 20, 21, 22, 23, 24, 25, 26, 27, 28, 29, 30, 31, 32, 33, 34, 35, 36, 37, 38, 39, 40, 41, 42, 43, 44, 45, 46, 47, 48, 49, 50, 51, 52, 53, 54, 55, 56, 57, 58, 59, 60, 61, 62, 63, 64, 65, 66, 67, 68, 69, 70, 71, 72, 73, 74, 75, 76, 77, 78, 79, 80, 81, 82, 83, 84, 85, 86, 87, 88, 89, 90, 91, 92, 93, 94, 95, 96, 97, 98, 99, 100			

QTY	DESCRIPTION	REMARKS	ITEM NO
	RECEPTACLE, SHIELD		

COMP SIZE	NUMBER	NAME	REMARKS	ITEM NO
	SEE NOTE 1		SEE NOTE 2	
MATERIAL	HEAT TREAT	COATING OR PLATING		
WIRE RANGE	UNLESS OTHERWISE SPECIFIED	REMOVE BURRS. BREAK SHARP EDGES .015 R MAX	DECIMALS: .00 = ±.02, .000 = ±.005, .0000 = ±.0005	
CLASS	TYPE	REMOVABLE CONTACT	ANGLES: ±9°-30°	
DATE	BY	3-10-71	FIRST USED	
DATE	BY	3-15-71		
SCALE	NAME	10:1		

AMP INCORPORATED HARRISBURG, PENNA.

LOC S C NO. 435096

CUSTOMER DRAWING