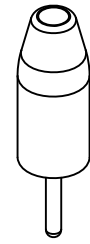
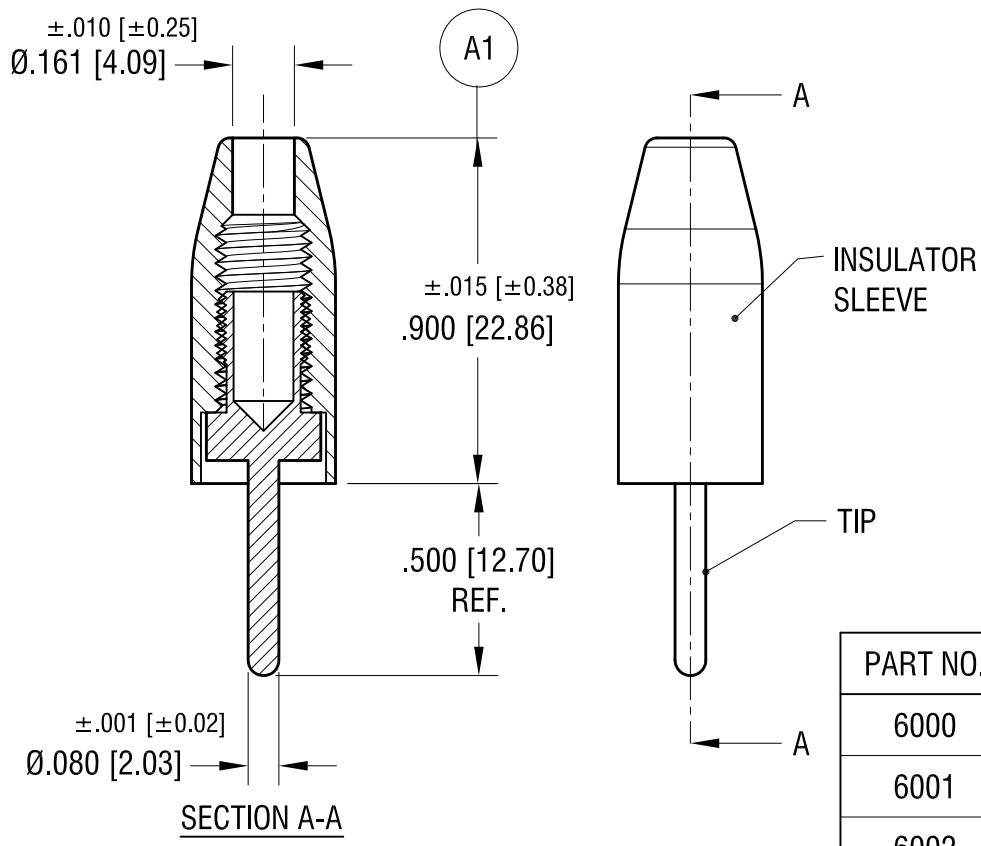
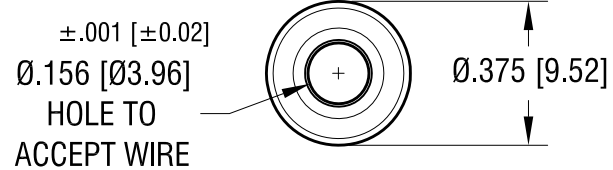


THIS DOCUMENT IS THE PROPERTY OF KEYSTONE ELECTRONICS CORP. AND SHALL NOT BE REPRODUCED, DISTRIBUTED OR USED AS A BASIS FOR MANUFACTURE WITHOUT PRIOR WRITTEN PERMISSION FROM KEYSTONE ELECTRONICS CORP.



ACTUAL SIZE



PART NO.	SLEEVE COLOR
6000	WHITE
6001	RED
6002	BLACK
6003	GREEN
6004	YELLOW
6005	BLUE

**NOTES:**

1. TIP: MAT'L - BRASS, NICKEL PLATE
2. BODY: MAT'L - NYLON 6/6 PER ASTM D4066

(A1) WAS .875±.005

3.03.22 CHANGE AS PER ECN 22-043 A

DATE DESCRIPTION REV.

**KEYSTONE ELECTRONICS CORP.**  
 www.keyelco.com • NEW HYDE PARK NY 11040 • Tel (516)328-7500

PART NAME: SOLDERLESS TEST TIP PLUG

MATERIAL: AS NOTED

FINISH: AS NOTED

DRN BY: BOONE DATE: 6.08.06

APP'D: LN SCALE: 2X

TOLERANCES INCH [MM]  
 DECIMAL ± .005 [± 0.13]  
 ANGULAR ± 1°  
 UNLESS OTHERWISE SPECIFIED

CODE: C DWG NO. 6000 - 6005