



LAYOUT SHOWN AS EXAMPLE

Keying Shown as example

CHARACTERISTICS

- Standard : Based on MIL-DTL-38999 Series III
- Shell Material : Aluminium
- Shell Plating : Black Zinc Nickel
- Insulator : Thermoplastic
- Contacts : Copper Alloy
- Seals & Grommet : Silicon Elastomer
- Contact Plating : Gold over copper Alloy 0.8µm minimum
- Durability : 500 Mating cycles
- Delivered without Souriau contacts
- Temperature Range : -65°C to +175°C
- Salt Spray : 500 hours
- Mass : 37.18 g ± 10%

Connector dimension	
Dim	Nominal
P	3.25±0.2
PP	4.93±0.2
R1	31.75
R2	29.36
S	39.7±0.3
V	20.07+0/-1.25
W	2.1/3.2
Z	31.5 Max
VV THREAD	M31x1-6g

SOURIAU shall not be liable for any non-conformity or damage due to a use of the Products which does not comply with the Specifications issued by either of the Parties or by a third party (professional recommendation, technical notice.)

Country	Jurisdiction & Control List
FR	Not Listed

PN: 8D021Z75SNL

A	02-11-2016	First Release	
ISS	DATE	Latest modification - by	MOD N°
Designed By:		Date:	CUSTOMER DRAWING
TITLE	Aluminium Receptacle 8D series		
SCALE	NA	General linear Tolerances: ±--	NPRDS / PROJECT 859
SOURIAU	WWW.SOURIAU.COM		This document is the property of SOURIAU it must not be reproduced or communicated without permission
FORMAT	A3		SOURIAU DRG N° 8D021Z75SNL-C
			SHEET 1/2

BASIC SERIES: 8D 0 - 21 Z 75 S N L

SHELL TYPE : Square Flange Receptacle Delivered W/O Contacts

CONTACT TYPE : Standard Crimp Contact ORIENTATION : N

SHELL SIZE : 21 CONTACT TYPE : SOCKET(500 Matings)

PLATING : Z = Black Zinc Nickel CONTACT LAYOUT : 21-75

Contact Layout

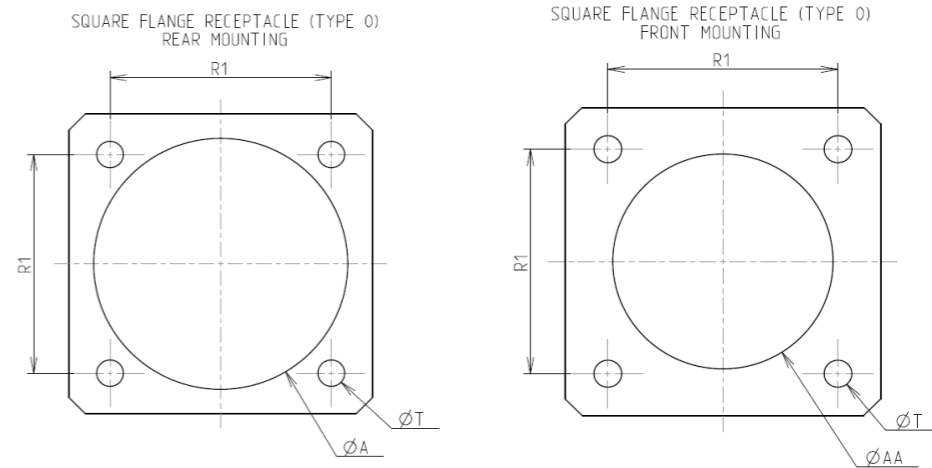


(Inactive for new design for MIL-DTL-38999. For new design, use arrangement no. 21-76.)

Contacts (Insert arrangement 21-75)		
Contact position ID	Location	
	X axis	Y axis
A	+180 (4.57)	+180 (4.57)
B	+180 (4.57)	-180 (4.57)
C	-180 (4.57)	-180 (4.57)
D	-180 (4.57)	+180 (4.57)

Shell size	Arrangement no.	Number of contacts	Size contacts	Service rating	Contact location	Standard contact	
						Pin	Socket
21	-75	4	8 (see note)	Twinax	All	M39029/90-529	M39029/91-530

Panel Cutout



Dim	Nominal
ØA	36.12 min
ØAA	32.16 min
R1	31.75
ØT	3.25 ±0.13

SOURIAU shall not be liable for any non-conformity or damage due to a use of the Products which does not comply with the Specifications issued by either of the Parties or by a third party (professional recommendation, technical notice.)

Country	Jurisdiction & Control List
FR	Not Listed

PN: 8D021Z75SNL

A	02-11-2016	First Release	
ISS	DATE	Latest modification - by	MOD N°
Designed By:		Date:	CUSTOMER DRAWING
TITLE	Aluminium Receptacle 8D series		
SCALE		General linear Tolerances: ±--	NPRDS / PROJECT 859
NA			
SOURIAU	WWW.SOURIAU.COM		This document is the property of SOURIAU it must not be reproduced or communicated without permission
FORMAT	SOURIAU DRG N° 8D021Z75SNL-C		SHEET 2/2