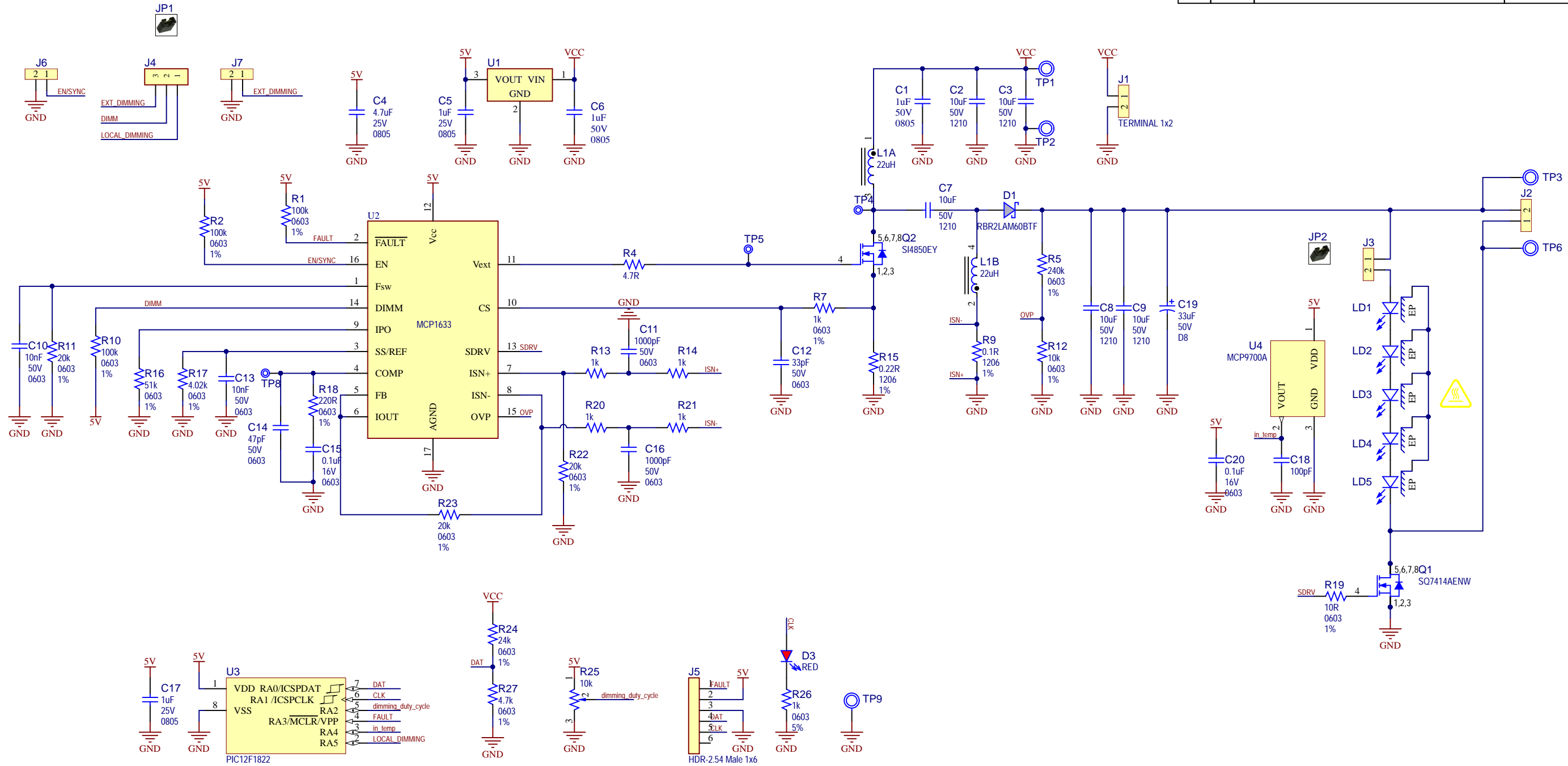


REV	ECO#	DESCRIPTION	DATE



- JP1 SHOULD BE MOUNTED ON J4 - INT (1-2)
- JP2 SHOULD BE IN THE BAG, NOT ASSEMBLED

- PAD1 Rubber Pad Cyl D7.9H5.3
- PAD2 Rubber Pad Cyl D7.9H5.3
- PAD3 Rubber Pad Cyl D7.9H5.3
- PAD4 Rubber Pad Cyl D7.9H5.3

LABEL1  
**02- -R1**  
 J1T  
 LABEL Need Help Small

Drawn By: Marius Dracea			
Engineer: Marius Dracea			
PartNumber: ADM01002	Project Title MCP1633 SEPIC LED DRIVER DEMO BOARD	Variant: [No Variations]	
Sheet Title <b>MCP1633 SEPIC LED DRIVER DEMO BOARD</b>			
Size B	Sch #:03-10900	Date: 10/22/2019 10:41:30 AM	Sheet 1 of 1
File: MCP1633.SchDoc			

