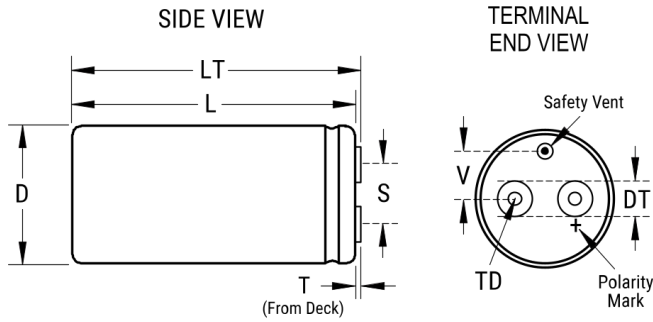


ALS80A821DF500

Aliases (A381FM821M500A)

ALS80, Aluminum Electrolytic, 820 uF, 20%, 500 VDC, -40/+105°C



Click [here](#) for the 3D model.

Dimensions

D	36mm +/-1mm
L	105mm +/-2mm
T	7.1mm +/-0.5mm
S	12.8mm +/-0.5mm
DT	8mm +/-0.5mm
LT	111.5mm +/-1mm
TD	10mm MIN
V	8mm NOM

Packaging Specifications

Sleeving	Yes
Packaging	Tray

General Information

Series	ALS80
Dielectric	Aluminum Electrolytic
Description	Screw Terminal, Aluminum Electrolytic
RoHS	Yes
AEC-Q200	No
Halogen Free	Yes
Component Weight	140 g
Notes	Dimensions D And L Include Sleeving. MS (MxH) = M8x12. Mounting Clamp (Sold Separately): V3/H2/2736
Shelf Life	156 Weeks

Specifications

Capacitance	820 uF
Capacitance Tolerance	20%
Voltage DC	500 VDC, 550 VDC (Surge)
Temperature Range	-40/+105°C
Rated Temperature	105°C
Life	6000 Hrs (Rated Voltage And Ripple Current At 105C), 10000 Hrs (Rated Voltage At 105C)
Resistance	261 mOhms (100Hz 20C), 194 mOhms (10kHz 20C)
Ripple Current	4.1 Amps (100Hz 105C), 8.9 Amps (10 kHz 105C)
Leakage Current	1230 uA