

CAA572X7R1E107M670LH

TDK item description : CAA572X7R1E107MT***

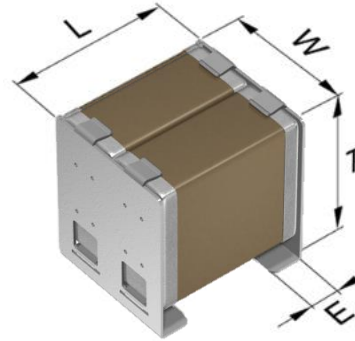


Application & Main Feature

Commercial grade (MEGACAP (Low resistance/Inline))

Series

CAA572(5750) [EIA 2220]



Dimensions

L 6.25±0.50 mm
W 5.00±0.50 mm
T 6.70±0.50 mm
E 1.20±0.20 mm

Temperature Characteristic

X7R (-55 to +125 degC, ±15%)

Rated Voltage

1E (25Vdc)

Capacitance

100µF

Capacitance Tolerance

M (±20%)

DF

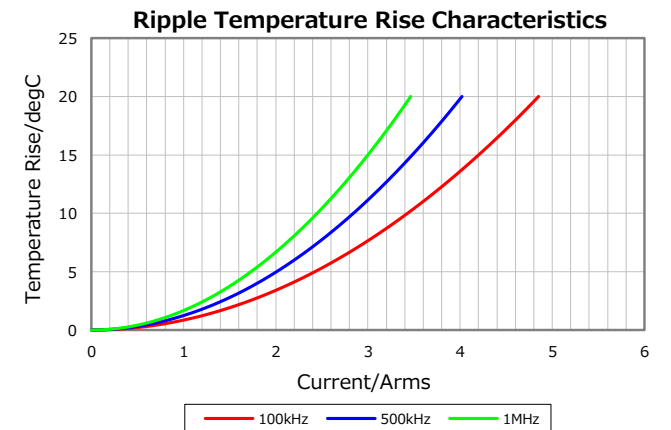
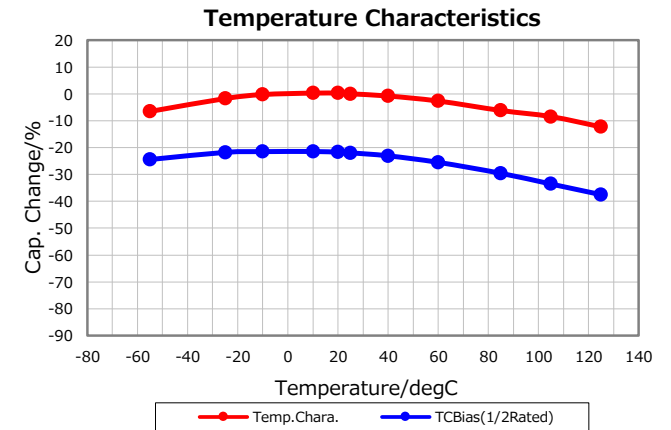
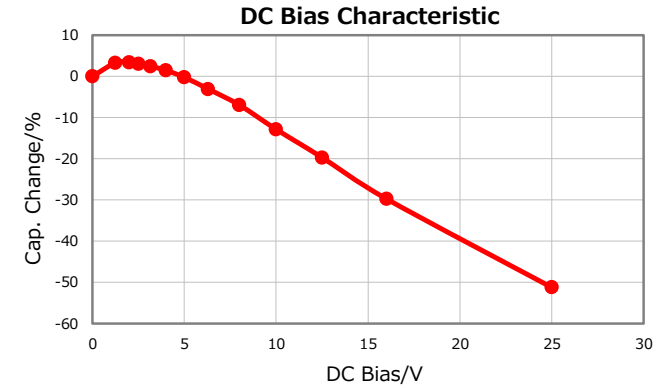
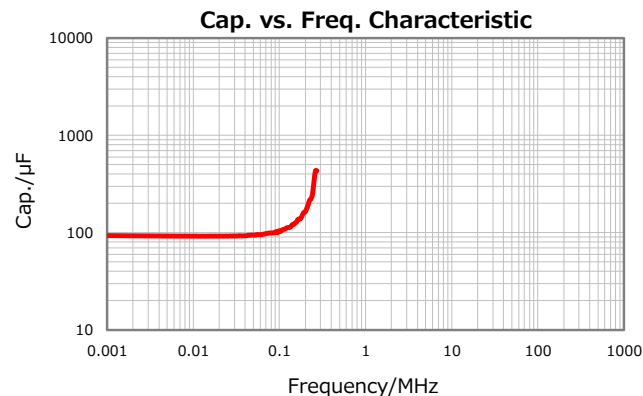
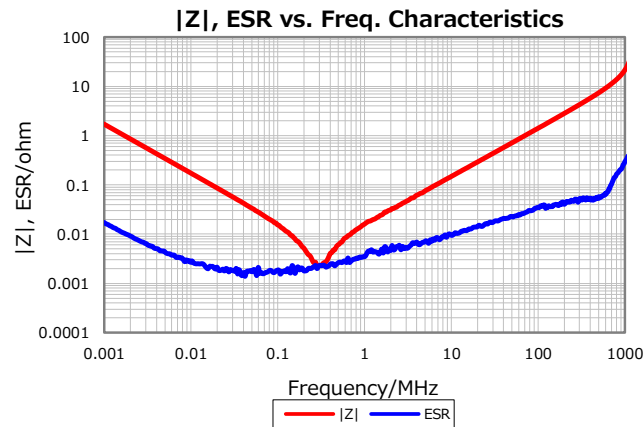
5 % max.

Insulation Resistance

5 Mohm min.

AEC-Q200

Not Applicable



Characterization Sheet (Multilayer Ceramic Chip Capacitors)



All specifications are subject to change without notice.

July 1, 2022