

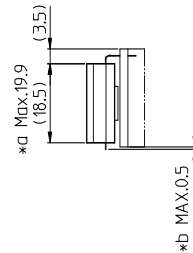
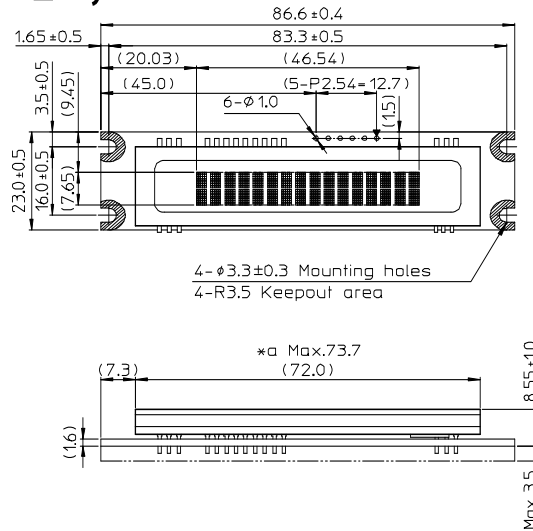
# CU16024-UX3J

## SIMPLIFIED DATASHEET

### ■ Features

16 character x 2 line display LCD compatible module.  
Compact model of CU16025-UX6J.

### ■ Physical dimension



( ):Reference only  
Unit:mm  
\*a Included extra frit glass  
\*b Ensure conductive / metallic surfaces do not contact pin stubs.

### Get full specification



Click here to go to request form.

### Specifications

#### ■ Electrical Ratings

Parameter	Symbol	Min.	Typ.	Max.	Unit	Condition
Logic Input Voltage	VIH1	2.0	-	VCC	VDC	VCC-VSS= 5.0 V
SCK, STB	VIL1	VSS	-	0.8	VDC	
Logic Input Voltage	VIH2	0.7VCC	-	VCC	VDC	VCC-VSS= 5.0 V
SI/SO	VIL2	VSS	-	0.3VCC	VDC	
Power supply Voltage	VCC-VSS	4.75	5.00	5.25	VDC	-

#### ■ Electrical Characteristics

Parameter	Symbol	Min.	Typ.	Max.	Unit	Condition
Logic Output Voltage	'H'	VOH	VCC-0.8	-	VDC	IOH = -4 mA
	'L'	VOL	-	0.6	VDC	IOL = 4 mA
	'H'	VOH	VCC-0.5	-	VDC	IOH = -2 mA
	'L'	VOL	-	0.5	VDC	IOL = 2 mA
Power Supply Current #1	ICC1	-	160	200	mA	Display ON
Power Supply Current #2	ICC2	-	135	170	mA	Display ON
Power Supply Current 3	ICC3	-	7	20	mA	Display OFF
Power Consumption #1		-	0.80	1.00	W	Display ON
Power Consumption #2		-	0.68	0.85	W	Display ON

#1: Brightness 200% #2: Brightness 100%

#### ■ Optical Characteristics

Parameter	Value
Luminance	350 cd/m <sup>2</sup> Min.
#1	1000 cd/m <sup>2</sup> Typ.
#2	2000 cd/m <sup>2</sup> Typ.
Color of illumination	Green (Blue-Green)

#1: Brightness 100% #2: Brightness 200%

#### ■ Environmental Conditions

Parameter	Value
Operating Temperature	-40 ~ +85 degrees celsius
Storage Temperature	-50 ~ +85 degrees celsius
Operating Humidity	20 ~ 80% R.H. (non-condensing)
Vibration (Non operation)	10-55-10Hz, all amplitude 1mm, 30 minutes, X-Y-Z
Shock (Non operation)	980m/s <sup>2</sup> (100G) 6ms

#### ■ Physical Specifications

Parameter	Value	*ANK(Alphabet, Numeric, Kana)
Number of char.	32 (16 x 2)	
Built-in Fonts	5 x 7 ANK, International	
Display area	46.54 x 7.65 mm (X x Y)	
Character size	2.065 x 3.569 mm (X x Y)	
Character pitch	2.965 mm	
Line pitch	4.081 mm	
Weight	About 23 g	

#### ■ Interface

Synchronous Serial (CMOS)

(Synchronous Serial)

Pin No	Signal
1	VCC
2	SI/SO
3	GND
4	STB
5	SCK
6	NC

#### ■ Functions

Parameter  
Brightness Boost function  
Command compatible with HD44780 LCD controller  
Display ON/OFF  
Brightness Control  
Cursor ON/OFF  
8 User definable character font  
etc.

