

Amphenol Taiwan Corporation
Product Change Notification

Part Numbers Concerned :	G881AXX1X2XT3EU	Originator:	Karen Su
Product Description:	G881A SERIES MICRO POWER, WAFER 3.00 MM PITCH STRAIGHT DIP, W/O KINK	Issue Date:	2022/07/01
		PCN NO:	1210-19000779
Distribution:			

Product Change Notice

1. ADDED COLOR OPTION: NATURAL
2. ADDED 2.60mm TAIL LENGTH OPTION
3. ADDED T&R FOR CLIPPING SPACE (peg.5)
4. CHANGE DIM.0.8 TO 0.7, 0.95 TO 0.96(CORRECT WRONG DIMENSIONS ON THE DRAWING)

Old version part:

Rev.E

New version part:

FX4 (After release to Rev.F)

Background:

Customer demand

Product Part Number Affected:

G881A02102RT3EU; G881A02102T3EU; G881A04102T3EU; G881A04122T3EU; G881A06102T3EU; G881A08102RT3EU; G881A08102T3EU; G881A10102RT3EU; G881A10102T3EU; G881A12102RT3EU; G881A12102T3EU; G881A12132T3EU; G881A14102T3EU; G881A14132T3EU; G881A16102T3EU; G881A16122RT3EU; G881A18102T3EU; G881A18122RT3EU; G881A18122T3EU; G881A22102T3EU; G881A22122T3EU; G881A22132T3EU; G881A24102T3EU;

Implementation date:

Immediately effective.

Recommended Action:

This document is the property of Amphenol Corporation and is delivered on the express condition that is not to be disclosed, reproduced or used, in whole or in part, for manufacture or sale by anyone other than Amphenol Corporation without its prior consent, and that no right is granted to disclose or to use any information in this document.
The marking on this product doesn't contain environmental hazardous materials per directive 2011/65/EU for RoHS compliant.



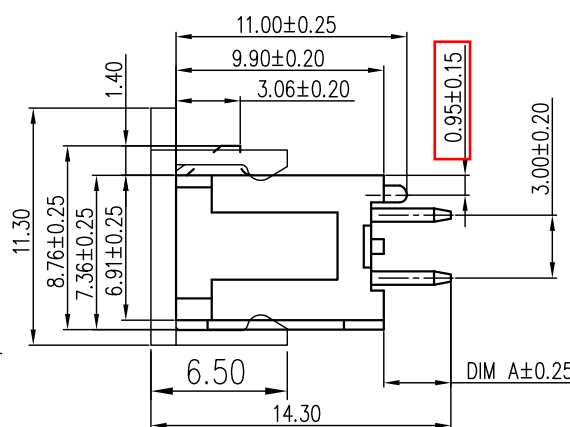
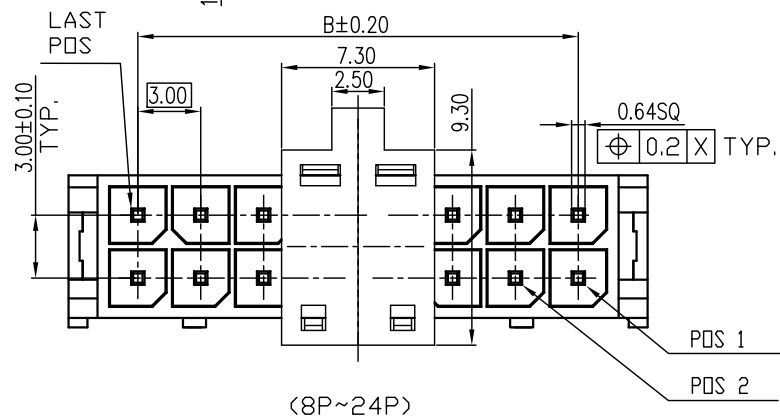
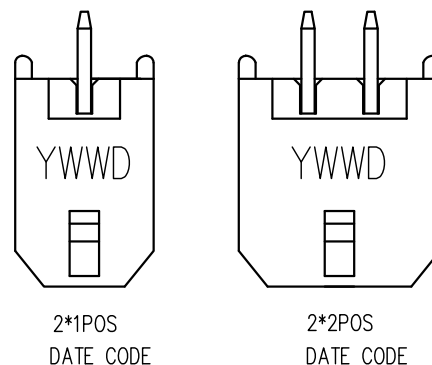
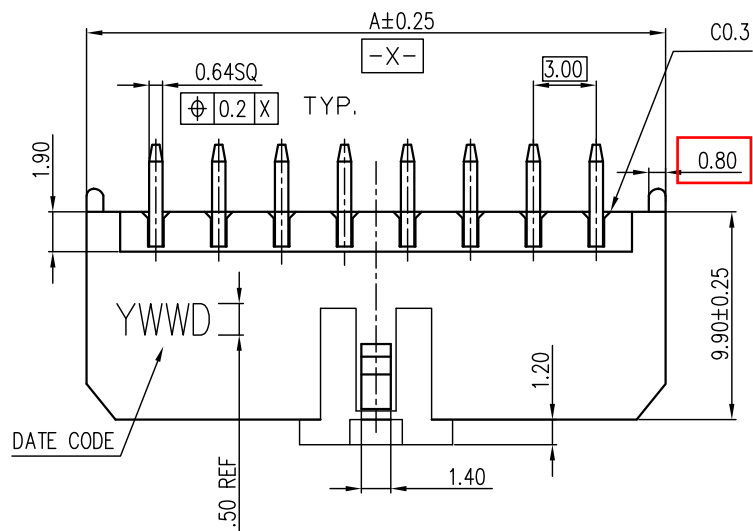
ORIGINAL



REVISIONS				
SYM	ECN No.	DESCRIPTION	DATE	APPROVED
A	NE-12149	RELEASE FOR RoHS	08/16/2012	Arron Lin
B	NE-13034	MODIFY PLATING TO OVERALL	03/13/2013	Arron Lin
C	NE-14168	UPDATE TRAY PACKING QUANTITY ADD T&R AND 2 POS.	09/05/2014	Arron Lin
D	NE-15114	CHG T&R PKG CARRIER WIDTH FROM 24 TO 32	09/15/2015	Roger Tsai
E	NE-19064	CAP'S FOOL-PROOF ,ADD T&R W 44, DATE CODE, PTH NOTE	02/07/2020	Roger Tsai

NOTE:

- INSULATOR: HIGH TEMP. THERMOPLASTIC, LCP, UL 94V-0, COLOR: BLACK.
- CONTACT MATERIAL: COPPER ALLOY;
- FINISH:
CONTACT AREA: SELECTIVE PLATING OPTIONS;
SOLDERING AREA: MATTE TIN PLATING 100 μ"MIN OR GOLD PLATING;
UNDER PLATING: NICKEL PLATING 50 μ" THICKNESS MIN. OVERALL
- THIS PRODUCT DOESN'T ENVIRONMENTAL HAZARDOUS MATERIALS PER DIRECTIVE 2011/65/EU FOR RoHS.
- APPLICABLE P.C.BOARD THICKNESS: 1.60mm
- PACKING MUST BE PER Amphenol PACKING SPECIFICATION



24	39.60	33.00
22	36.60	30.00
20	33.60	27.00
18	30.60	24.00
16	27.60	21.00
14	24.60	18.00
12	21.60	15.00
10	18.60	12.00
08	15.60	9.00
06	12.60	6.00
04	9.60	3.00
02	6.60	NA
NO. OF CIRCUIT	A	B

PART NO. G881A XX 1 X 2 X T3EU

No. OF CIRCUIT
CONTACT FINISH
0: Tin (OVERALL)
1: FLASH GOLD (OVERALL)
2: 15 u" GOLD
3: 30 u" GOLD

PACKING OPTIONS; TAIL LENGTH(DIM A):
BLANK: TRAY (W/O CAP); 3.20mm
R: T&R (W/CAP); 3.20mm
A: TRAY (W/O CAP); 2.30mm
B: T&R (W/CAP); 2.30mm

TOLERANCE	APPROVALS	DATE	TITLE	Amphenol [®] Amphenol Corporation Amphenol Taiwan Corporation					
X. ±0.30 X.X ±0.20 X.XX ±0.10 X.XXX ±0.10	DRAWN Juda Liu	02/07/2020	G881A SERIES MICRO POWER, WAFER 3.00 MM PITCH STRAIGHT DIP, W/O KINK	UNIT	mm	SIZE	A3	PART No.	G881AXX1X2XT3EU
ANGULAR ±1°	CHECKED Sandy Wu	02/07/2020		SCALE	NA	SHEET	1 OF 4	DWG No.	G881AXX1X2XT3EU
UNLESS OTHERWISE SPECIFIED	APPROVED Roger Tsai	02/07/2020		DWG TYPE	CUST DWG	PROJECT CODE	PHD	REV.	E

This document is the property of Amphenol Corporation and is delivered on the express condition that is not to be disclosed, reproduced or used, in whole or in part, for manufacture or sale by anyone other than Amphenol Corporation without its prior consent, and that no right is granted to disclose or to use any information in this document.

The marking on this product doesn't contain environmental hazardous materials per directive 2011/65/EU for RoHS compliant.

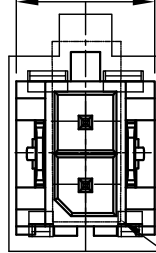
ORIGINAL



REVISIONS				
SYM	ECN No.	DESCRIPTION	DATE	APPROVED
A	NE-12149	RELEASE FOR RoHS	08/16/2012	Arron Lin
B	NE-13034	MODIFY PLATING TO OVERALL	03/13/2013	Arron Lin
C	NE-14168	UPDATE TRAY PACKING QUANTITY ADD T&R AND 2 POS.	09/05/2014	Arron Lin
D	NE-15114	CHG T&R PKG CARRIER WIDTH FROM 24 TO 32	09/15/2015	Roger Tsai
E	NE-19064	CAP'S FOOL-PROOF ,ADD T&R W 44, DATE CODE, PTH NOTE	02/07/2020	Roger Tsai

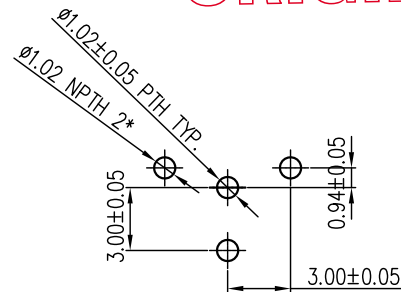


6.60±0.25

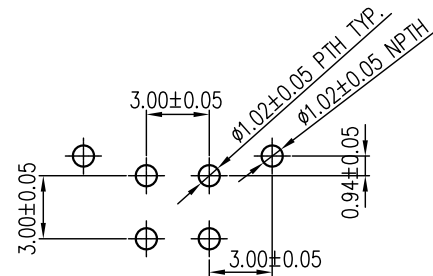


DETAIL D

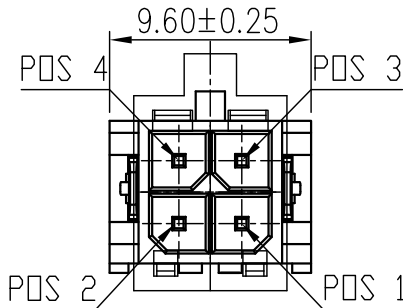
(2X1POS)



2X1 POSITIONS
RECOMMENDED PCB LAYOUT

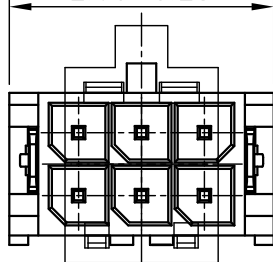


2X2 POSITIONS
RECOMMENDED PCB LAYOUT

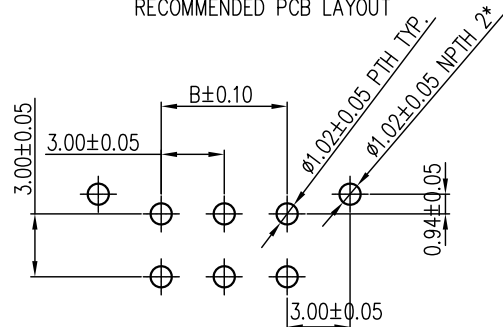


(2X2POS)

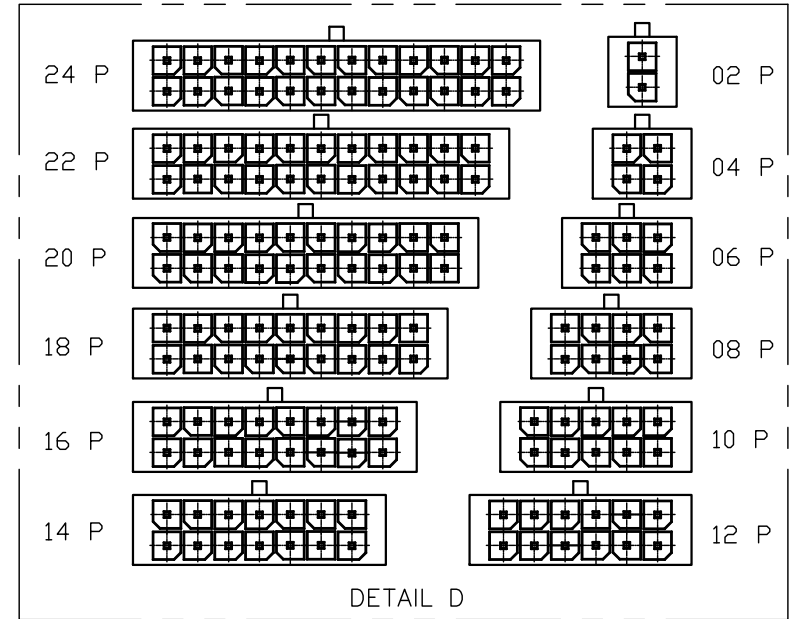
12.60±0.25



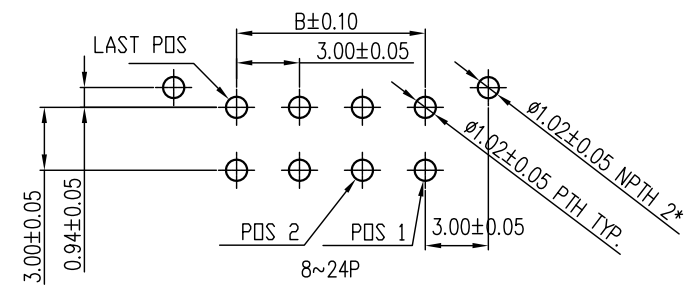
(2X3POS)



2X3 POSITIONS
RECOMMENDED PCB LAYOUT



DETAIL D



8~24P
RECOMMENDED PCB LAYOUT

TOLERANCE	APPROVALS	DATE	TITLE		Amphenol®		
X. ±0.30	DRAWN Jada Liu	02/07/2020	G881A SERIES MICRO POWER, WAFER 3.00 MM PITCH STRAIGHT DIP, W/O KINK		Amphenol Corporation Amphenol Taiwan Corporation		
X.X ±0.20	CHECKED Sandy Wu	02/07/2020					
X.XXX ±0.10	APPROVED Roger Tsai	02/07/2020					
ANGULAR ±1°	DWG TYPE CUST DWG	PROJECT CODE PHD	UNIT mm	SCALE NA	SIZE A3	SHEET 2 OF 4	PART No. G881AXX1X2XT3EU
UNLESS OTHERWISE SPECIFIED					DWG No. G881AXX1X2XT3EU	REV. E	

This document is the property of Amphenol Corporation and is delivered on the express condition that is not to be disclosed, reproduced or used, in whole or in part, for manufacture or sale by anyone other than Amphenol Corporation without its prior consent, and that no right is granted to disclose or to use any information in this document.

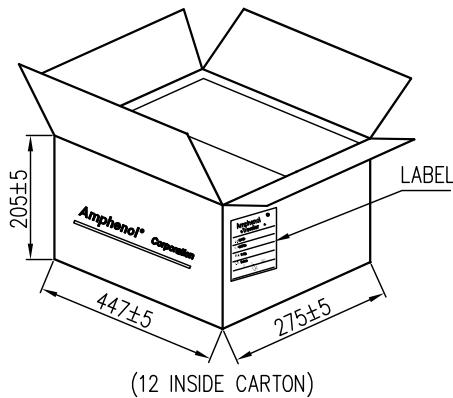
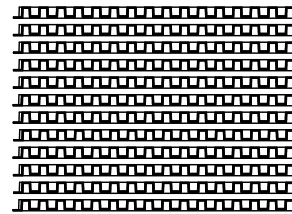
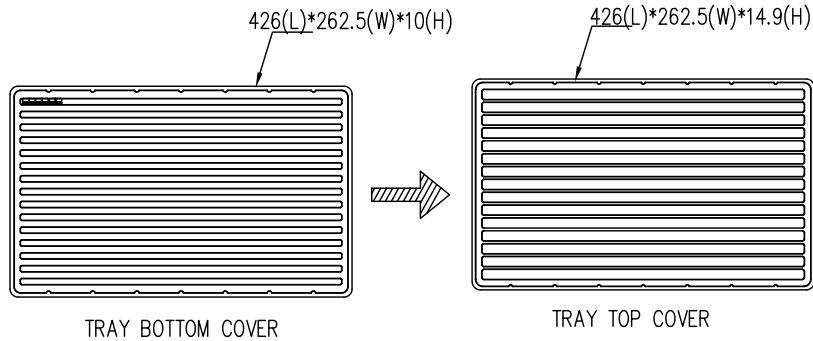
The marking on this product doesn't contain environmental hazardous materials per directive 2011/65/EU for RoHS compliant.



ORIGINAL



REVISIONS				
SYM	ECN No.	DESCRIPTION	DATE	APPROVED
A	NE-12149	RELEASE FOR RoHS	08/16/2012	Arron Lin
B	NE-13034	MODIFY PLATING TO OVERALL	03/13/2013	Arron Lin
C	NE-14168	UPDATE TRAY PACKING QUANTITY ADD T&R AND 2 POS.	09/05/2014	Arron Lin
D	NE-15114	CHG T&R PKG CARRIER WIDTH FROM 24 TO 32	09/15/2015	Roger Tsai
E	NE-19064	CAP'S FOOL-PROOF ,ADD T&R W 44, DATE CODE, PTH NOTE	02/07/2020	Roger Tsai



POS	PCS/TRAY	PCS/CARTON
02	900	10800
04	615	7380
06	465	5580
08	375	4500
10	315	3780
12	270	3240
14	240	2880
16	210	2520
18	180	2160
20	165	1980
22	150	1800
24	150	1800

- NOTES:
1. MATERIAL: BLACK CONDUCTIVE POLYSTYRENE ALLOY
 2. ALL DIMENSIONS MEET EIA-481-C REQUIREMENTS.
 3. THICKNESS: 0.80±0.05mm.

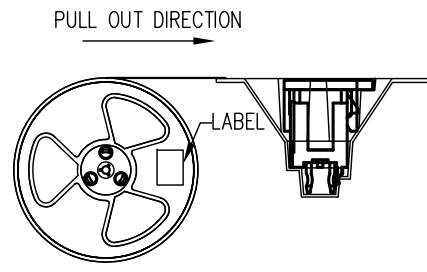
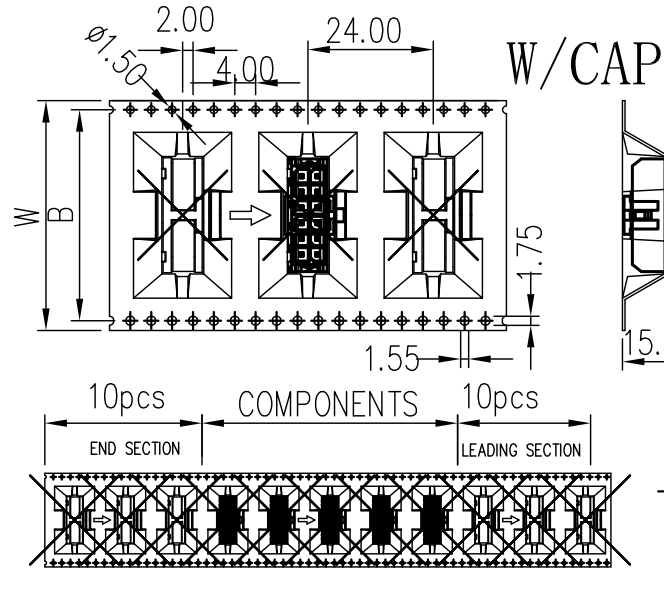
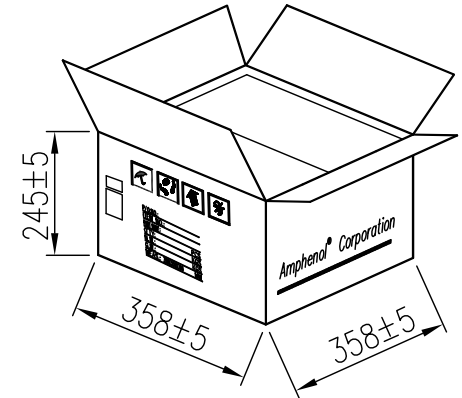
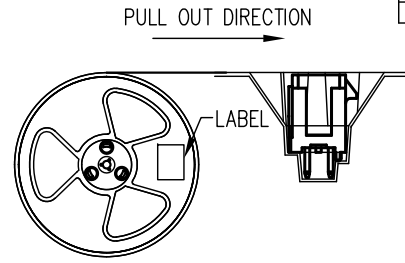
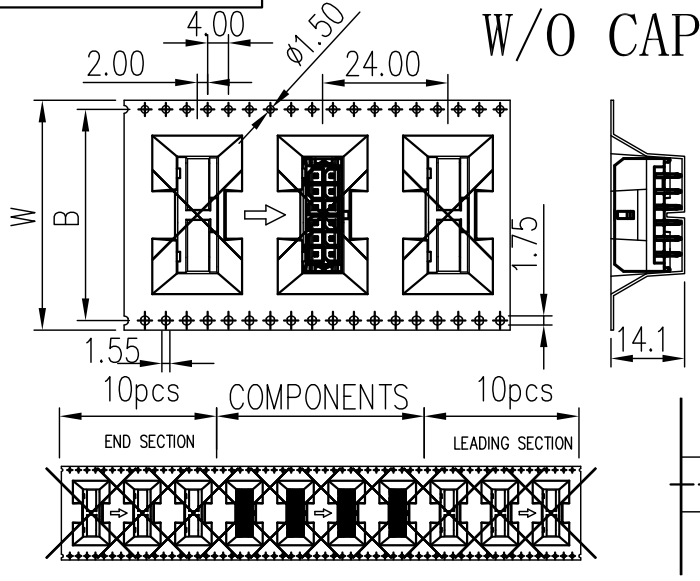
TOLERANCE	APPROVALS	DATE	TITLE		Amphenol [®] Amphenol Corporation Amphenol Taiwan Corporation		
X. ±0.30	DRAWN Juda Liu	02/07/2020	G881A SERIES MICRO POWER, WAFER 3.00 MM PITCH STRAIGHT DIP, W/O KINK		PART No. G881AXX1X2XT3EU		REV. E
X.X ±0.20	CHECKED Sandy Wu	02/07/2020					
X.XXX ±0.10	APPROVED Roger Tsai	02/07/2020					
ANGULAR ±1°	DWG TYPE CUST DWG	PROJECT CODE PHD	UNIT mm	SIZE A3	SHEET 3 OF 4		DWG No. G881AXX1X2XT3EU
UNLESS OTHERWISE SPECIFIED			SCALE NA				

This document is the property of Amphenol Corporation and is delivered on the express condition that is not to be disclosed, reproduced or used, in whole or in part, for manufacture or sale by anyone other than Amphenol Corporation without its prior consent, and that no right is granted to disclose or to use any information in this document.
The marking on this product doesn't contain environmental hazardous materials per directive 2011/65/EU for RoHS compliant.

ORIGINAL



REVISIONS				
SYM	ECN No.	DESCRIPTION	DATE	APPROVED
A	NE-12149	RELEASE FOR RoHS	08/16/2012	Arron Lin
B	NE-13034	MODIFY PLATING TO OVERALL	03/13/2013	Arron Lin
C	NE-14168	UPDATE TRAY PACKING QUANTITY ADD T&R AND 2 POS.	09/05/2014	Arron Lin
D	NE-15114	CHG T&R PKG CARRIER WIDTH FROM 24 TO 32	09/15/2015	Roger Tsai
E	NE-19064	CAP'S FOOL-PROOF ,ADD T&R W 44, DATE CODE, PTH NOTE	02/07/2020	Roger Tsai



POS	W(mm)	B(mm)	PCS/REEL	PCS/CARTON
2	32	28.4	150	900
4				
6				
8	44	40.4	150	600
10				
12				
14				
16				
18	72	68.4	150	450
20				
22				
24				

TOLERANCE		APPROVALS		DATE	TITLE		Amphenol [®]			
X.		DRAWN		Juda Liu	02/07/2020	G881A SERIES MICRO POWER, WAFER 3.00 MM PITCH STRAIGHT DIP, W/O KINK	Amphenol Corporation			
X.X	±0.30	CHECKED		Sandy Wu	02/07/2020		Amphenol Taiwan Corporation			
X.XX	±0.20	APPROVED		Roger Tsai	02/07/2020		PART No.	G881AXX1X2XT3EU		
X.XXX	±0.10	UNLESS OTHERWISE SPECIFIED		CUST DWG	PROJECT CODE	PHD	UNIT	mm	SIZE	A3
							SCALE	NA	SHEET	4 OF 4
							DWG No.	G881AXX1X2XT3EU		REV.
									E	

This document is the property of Amphenol Corporation and is delivered on the express condition that is not to be disclosed, reproduced or used, in whole or in part, for manufacture or sale by anyone other than Amphenol Corporation without its prior consent, and that no right is granted to disclose or to use any information in this document.

The marking on this product doesn't contain environmental hazardous materials per directive 2011/65/EU & 2015/863/EU for RoHS compliant.



FOR REFERENCE ONLY

REVISIONS				
SYM	ECN No.	DESCRIPTION	DATE	BY
A	NE-12149	RELEASE FOR RoHS	2012-08-16	Debby Hung
B	NE-13034	MODIFY PLATING TO OVERALL	2013-03-13	Debby Hung
C	NE-14168	UPDATE TRAY PACKING QUANTITY ADD T&R AND 2 POS.	2014-09-05	Debby Hung
D	NE-15114	CHG T&R PKG CARRIER WIDTH FROM 24 TO 32	2015-09-15	Aqua Chou
E	NE-19064	CAP'S FOOL-PROOF ,ADD T&R W 44, DATE CODE, PTH NOTE	2020-02-07	Sandy Wu
FX1		ADD INSULATOR COLOR OPTION: WHITE	2020-09-01	Juda Liu
FX2	EDSR#10310	MODIFY WHITE TO NATURAL & ADD 2.60 TAIL LENGTH OPTION	2020-10-13	Juda Liu
FX3	EDSR#10307	REDEFINED T/R PACKAGE	2020-10-16	Juda Liu
FX4		CHANGE DIM.0.8 TO 0.7, 0.95 TO 0.96/ARRANGE PEG.2/UPDATE PACKAGE	2022-06-30	Karen Su

NOTE:

- INSULATOR: HIGH TEMP. THERMOPLASTIC, LCP, UL 94V-0, COLOR: OPTION.
- CONTACT MATERIAL: COPPER ALLOY;
- FINISH:
CONTACT & SOLDERING AREA:
SELECTIVE PLATING OPTIONS, THICKNESS MIN.;
UNDER PLATING: NICKEL PLATING 50u" THICKNESS MIN. OVERALL.
- THIS PRODUCT DOESN'T CONTAIN ENVIRONMENTAL HAZARDOUS PER DIRECTIVE 2011/65/EU & 2015/863/EU FOR RoHS COMPLIANT.
- PRODUCT SPECIFICATION REFER TO : PS-7381.
- TEST SUMMARY REFER TO : TS-7381.

PART NO. G881AXX1X2XT3EU

No. OF CIRCUIT | PACKING OPTIONS; TAIL LENGTH(DIM A); COLOR:

CONTACT & SOLDERING FINISH
 0: 100u" MATTE TIN PLATING (OVERALL)
 1: GOLD FLASH (OVERALL)
 2: 15u" GOLD PLATING/100u" MATTE TIN
 3: 30u" GOLD PLATING/100u" MATTE TIN

BLANK: TRAY (W/O CAP); 3.20mm; BLACK

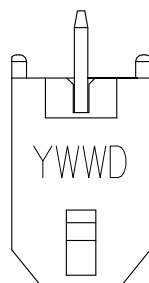
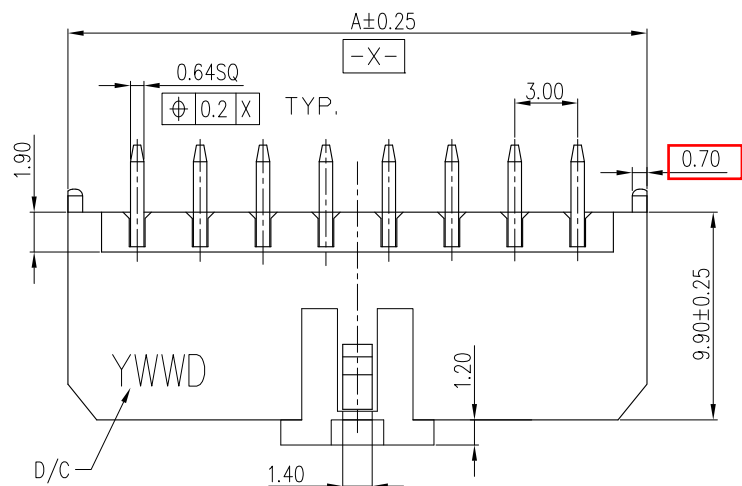
C: TRAY (W/O CAP); 3.20mm; NATURAL
 G: TRAY (W/O CAP); 2.60mm; BLACK
 J: TRAY (W/O CAP); 2.60mm; NATURAL
 E: TRAY (W/O CAP); 2.30mm; NATURAL
 A: TRAY (W/O CAP); 2.30mm; BLACK

NORMAL T&R FOR (W/CAP) REFER PACKAGE DRAWING 4/5

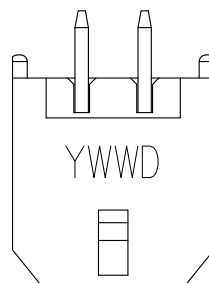
R: T&R (W/CAP); 3.20mm; BLACK
 D: T&R (W/CAP); 3.20mm; NATURAL
 H: T&R (W/CAP); 2.60mm; BLACK
 K: T&R (W/CAP); 2.60mm; NATURAL
 B: T&R (W/CAP); 2.30mm; BLACK
 F: T&R (W/CAP); 2.30mm; NATURAL

T&R FOR CLIPPING SPACE (W/O CAP) REFER PACKAGE DRAWING 5/5

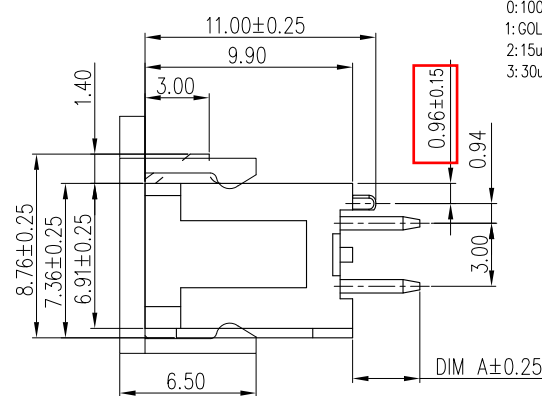
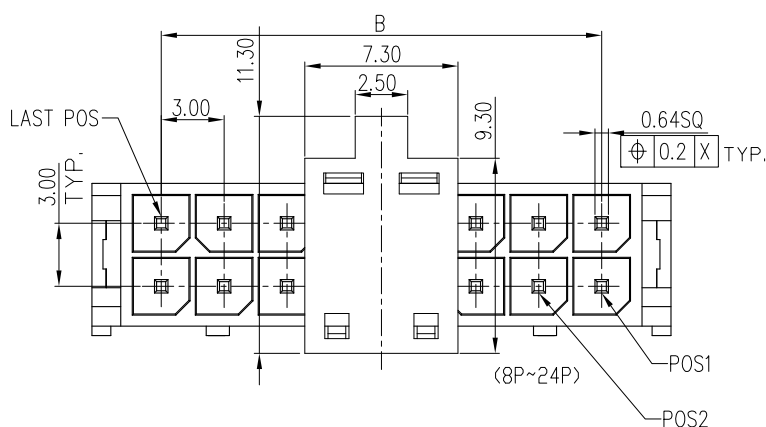
L: T&R (W/O CAP); 3.20mm; BLACK
 M: T&R (W/O CAP); 3.20mm; NATURAL
 N: T&R (W/O CAP); 2.60mm; BLACK
 P: T&R (W/O CAP); 2.60mm; NATURAL
 Q: T&R (W/O CAP); 2.30mm; BLACK
 S: T&R (W/O CAP); 2.30mm; NATURAL



2*1POS
DATE CODE

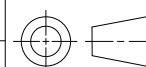


2*2POS
DATE CODE



POS	A	B	C	POS	A	B	C
2	6.60	--	6.00	14	24.60	18.00	24.00
4	9.60	3.00	9.00	16	27.60	21.00	27.00
6	12.60	6.00	12.00	18	30.60	24.00	30.00
8	15.60	9.00	15.00	20	33.60	27.00	33.00
10	18.60	12.00	18.00	22	36.60	30.00	36.00
12	21.60	15.00	21.00	24	39.60	33.00	39.00

TOLERANCE	APPROVALS	DATE	TITLE
X. X.X ±0.30 X.XX ±0.20 X.XXX ±0.10	DRAWN Karen Su	2022-06-30	G881A SERIES MICRO POWER, WAFER 3.00 MM PITCH STRAIGHT DIP, W/O KINK
	CHECKED Joseph Jiang	2022-06-30	
	APPROVED Roger Tsai	2022-06-30	
ANGULAR ±1°	DWG TYPE CUST DWG	PROJECT CODE PHD	
UNLESS OTHERWISE SPECIFIED			



UNIT mm

SIZE A3

SCALE NA

SHEET 1 OF 5

PART No. G881AXX1X2XT3EU

DWG No. G881AXX1X2XT3EU

REV. FX4

Amphenol®
Amphenol Corporation
Amphenol Taiwan Corporation

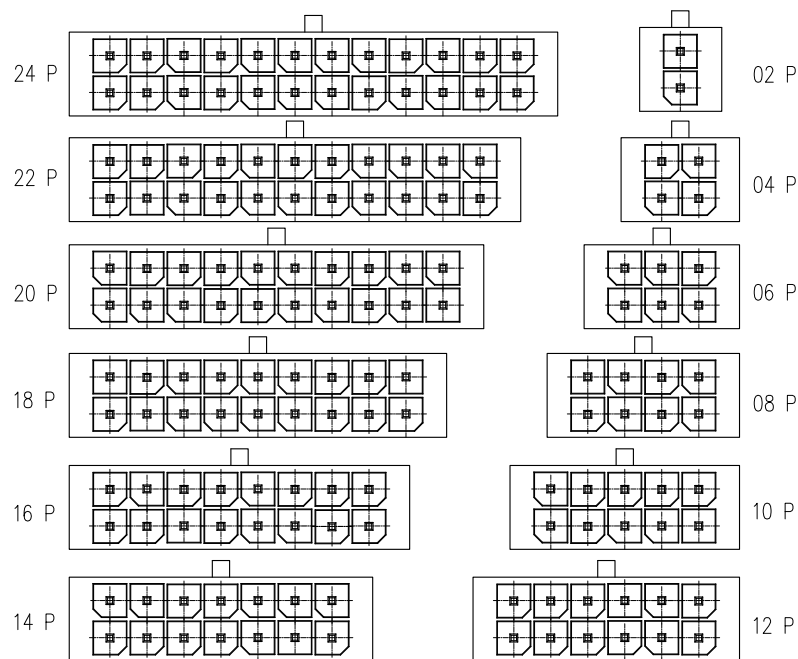
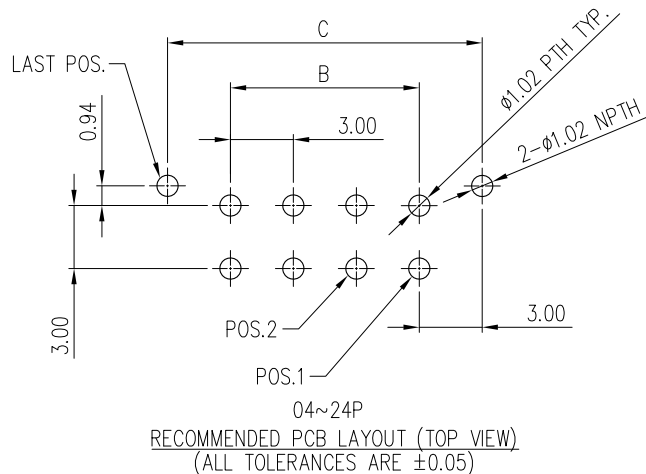
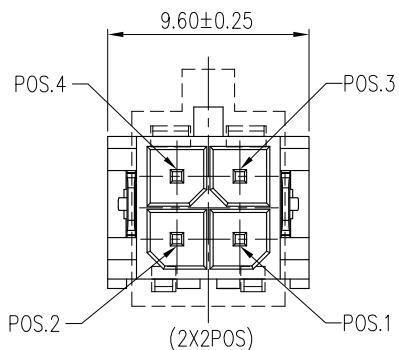
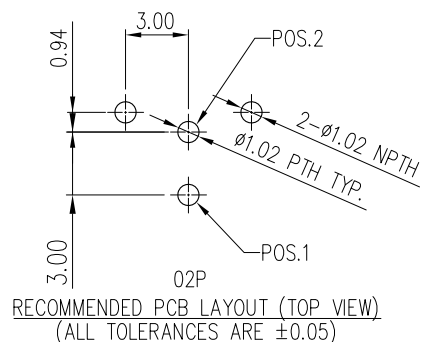
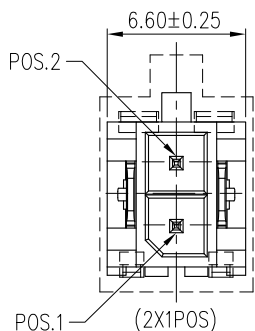
This document is the property of Amphenol Corporation and is delivered on the express condition that it is not to be disclosed, reproduced or used, in whole or in part, for manufacture or sale by anyone other than Amphenol Corporation without its prior consent, and that no right is granted to disclose or to use any information in this document.

The marking on this product doesn't contain environmental hazardous materials per directive 2011/65/EU for RoHS compliant.

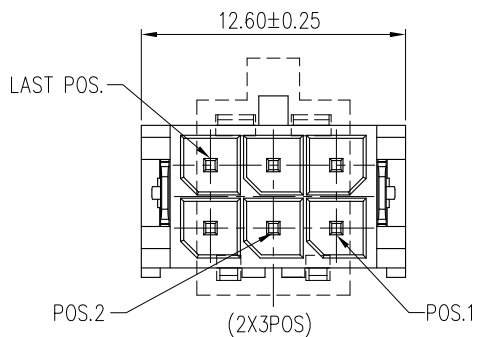


FOR REFERENCE ONLY

REVISIONS				
SYM	ECN No.	DESCRIPTION	DATE	BY
A	NE-12149	RELEASE FOR RoHS	2012-08-16	Debby Hung
B	NE-13034	MODIFY PLATING TO OVERALL	2013-03-13	Debby Hung
C	NE-14168	UPDATE TRAY PACKING QUANTITY ADD T&R AND 2 POS.	2014-09-05	Debby Hung
D	NE-15114	CHG T&R PKG CARRIER WIDTH FROM 24 TO 32	2015-09-15	Aqua Chou
E	NE-19064	CAP'S FOOL-PROOF ,ADD T&R W 44, DATE CODE, PTH NOTE	2020-02-07	Sandy Wu
FX1		ADD INSULATOR COLOR OPTION: WHITE	2020-09-01	Juda Liu
FX2	EDSR#10310	MODIFY WHITE TO NATURAL & ADD 2.60 TAIL LENGTH OPTION	2020-10-13	Juda Liu
FX3	EDSR#10307	REDEFINED T/R PACKAGE	2020-10-16	Juda Liu
FX4		CHANGE DIM.0.8 TO 0.7, 0.95 TO 0.96/ARRANGE PEG.2/UPDATE PACKAGE	2022-06-30	Karen Su



KEY'S DISPLAY DESCRIPTION



TOLERANCE		APPROVALS		DATE		TITLE		Amphenol [®]		
X.		DRAWN Karen Su		2022-06-30		G881A SERIES MICRO POWER, WAFER 3.00 MM PITCH STRAIGHT DIP, W/O KINK		Amphenol Corporation Amphenol Taiwan Corporation		
X.X	±0.30	CHECKED Joseph Jiang		2022-06-30						
X.XX	±0.20	APPROVED Roger Tsai		2022-06-30						
X.XXX	±0.10	ANGULAR ±1°		UNLESS OTHERWISE SPECIFIED		UNIT mm		SCALE NA	SIZE A3	PART No. G881AXX1X2XT3EU
		DWG TYPE CUST DWG		PROJECT CODE PHD		SHEET 2 OF 5		DWG No. G881AXX1X2XT3EU		REV. FX4

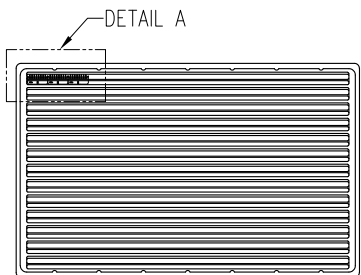
This document is the property of Amphenol Corporation and is delivered on the express condition that is not to be disclosed, reproduced or used, in whole or in part, for manufacture or sale by anyone other than Amphenol Corporation without its prior consent, and that no right is granted to disclose or to use any information in this document.

The marking on this product doesn't contain environmental hazardous materials per directive 2011/65/EU for RoHS compliant.



FOR REFERENCE ONLY

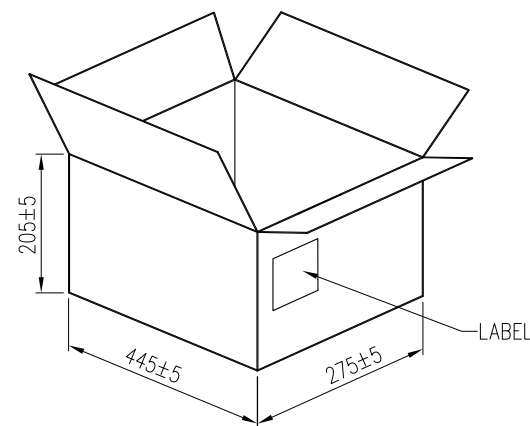
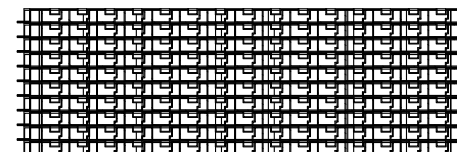
REVISIONS				
SYM	ECN No.	DESCRIPTION	DATE	BY
A	NE-12149	RELEASE FOR RoHS	2012-08-16	Debby Hung
B	NE-13034	MODIFY PLATING TO OVERALL	2013-03-13	Debby Hung
C	NE-14168	UPDATE TRAY PACKING QUANTITY ADD T&R AND 2 POS.	2014-09-05	Debby Hung
D	NE-15114	CHG T&R PKG CARRIER WIDTH FROM 24 TO 32	2015-09-15	Aqua Chou
E	NE-19064	CAP'S FOOL-PROOF ,ADD T&R W 44, DATE CODE, PTH NOTE	2020-02-07	Sandy Wu
FX1		ADD INSULATOR COLOR OPTION: WHITE	2020-09-01	Juda Liu
FX2	EDSR#10310	MODIFY WHITE TO NATURAL & ADD 2.60 TAIL LENGTH OPTION	2020-10-13	Juda Liu
FX3	EDSR#10307	REDEFINED T/R PACKAGE	2020-10-16	Juda Liu
FX4		CHANGE DIM.0.8 TO 0.7, 0.95 TO 0.96/ARRANGE PEG.2/UPDATE PACKAGE	2022-06-30	Karen Su



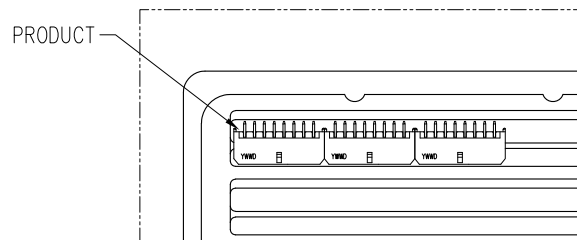
TRAY: 426(L)*262.5(W)*10(H)



COVER: 426(L)*262.5(W)*14.9(H)



(12 TRAYS INSIDE CARTON)



DETAIL A

POS	PCS/TRAY	PCS/CARTON
02	900	10800
04	615	7380
06	465	5580
08	375	4500
10	315	3780
12	270	3240
14	240	2880
16	210	2520
18	180	2160
20	165	1980
22	150	1800
24	150	1800

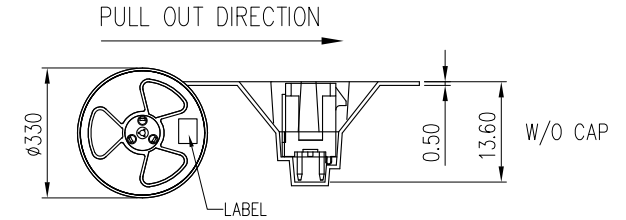
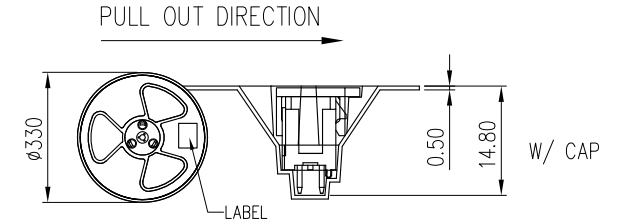
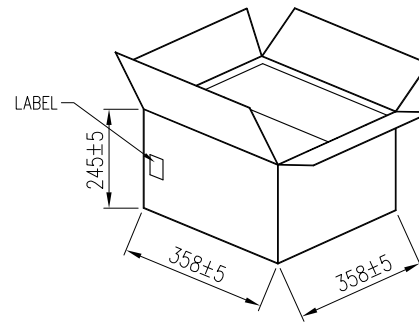
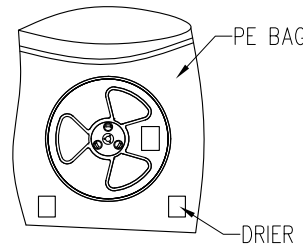
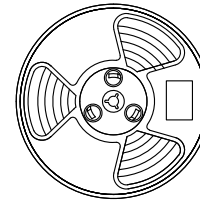
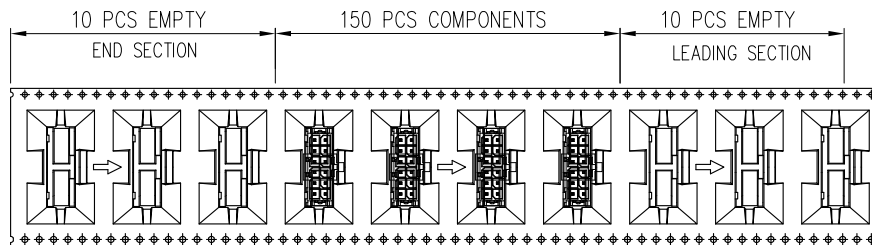
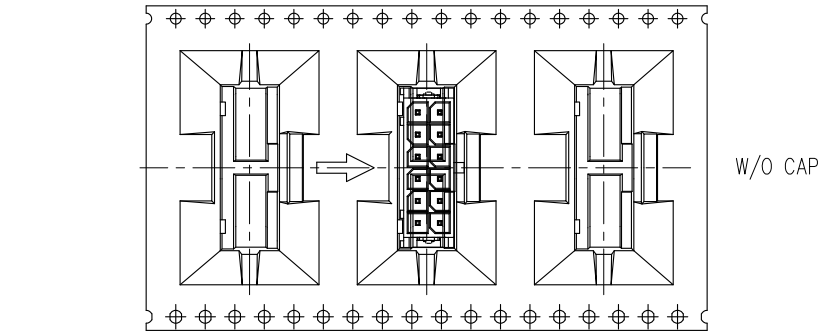
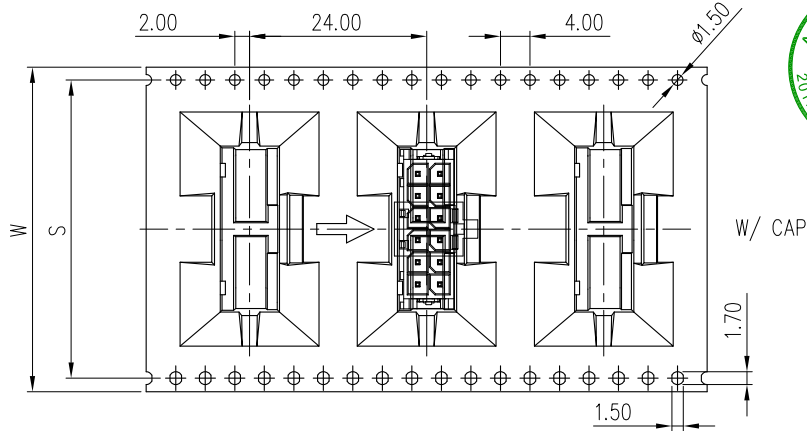
TOLERANCE		APPROVALS		DATE	TITLE		Amphenol [®]					
X.		DRAWN	Karen Su	2022-06-30	G881A SERIES MICRO POWER, WAFER 3.00 MM PITCH STRAIGHT DIP, W/O KINK		Amphenol Corporation					
X.X	±0.30	CHECKED	Joseph Jiang	2022-06-30			Amphenol Taiwan Corporation					
X.XX	±0.20	APPROVED	Roger Tsai	2022-06-30			PART No. G881AXX1X2XT3EU					
X.XXX	±0.10						UNIT	mm	SIZE	A3	DWG No. G881AXX1X2XT3EU	
ANGULAR ±1°		DWG TYPE		PROJECT CODE			SCALE	NA	SHEET	3 OF 5	REV. FX4	
UNLESS OTHERWISE SPECIFIED		CUST DWG		PHD								

FOR REFERENCE ONLY

This document is the property of Amphenol Corporation and is delivered on the express condition that is not to be disclosed, reproduced or used, in whole or in part, for manufacture or sale by anyone other than Amphenol Corporation without its prior consent, and that no right is granted to disclose or to use any information in this document.
The marking on this product doesn't contain environmental hazardous materials per directive 2011/65/EU for RoHS compliant.



REVISIONS				
SYM	ECN No.	DESCRIPTION	DATE	BY
A	NE-12149	RELEASE FOR RoHS	2012-08-16	Debby Hung
B	NE-13034	MODIFY PLATING TO OVERALL	2013-03-13	Debby Hung
C	NE-14168	UPDATE TRAY PACKING QUANTITY ADD T&R AND 2 POS.	2014-09-05	Debby Hung
D	NE-15114	CHG T&R PKG CARRIER WIDTH FROM 24 TO 32	2015-09-15	Aqua Chou
E	NE-19064	CAP'S FOOL-PROOF ,ADD T&R W 44, DATE CODE, PTH NOTE	2020-02-07	Sandy Wu
FX1		ADD INSULATOR COLOR OPTION: WHITE	2020-09-01	Juda Liu
FX2	EDSR#10310	MODIFY WHITE TO NATURAL & ADD 2.60 TAIL LENGTH OPTION	2020-10-13	Juda Liu
FX3	EDSR#10307	REDEFINED T/R PACKAGE	2020-10-16	Juda Liu
FX4		CHANGE DIM.0.8 TO 0.7, 0.95 TO 0.96/ARRANGE PEG.2/UPDATE PACKAGE	2022-06-30	Karen Su



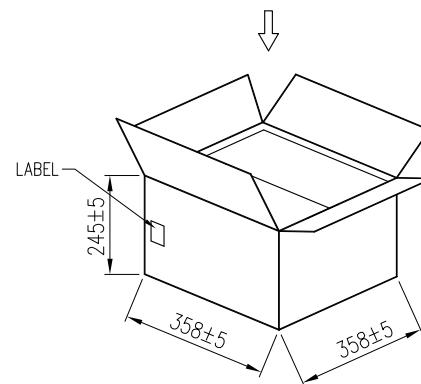
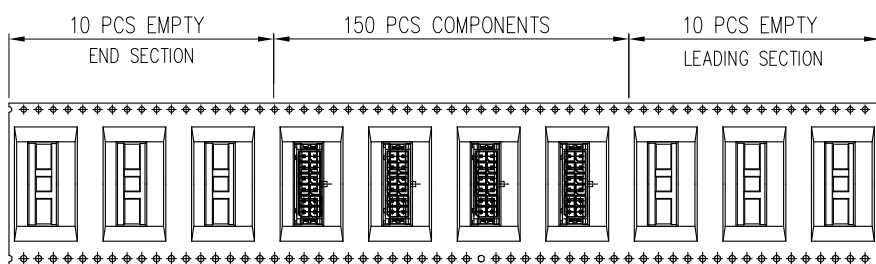
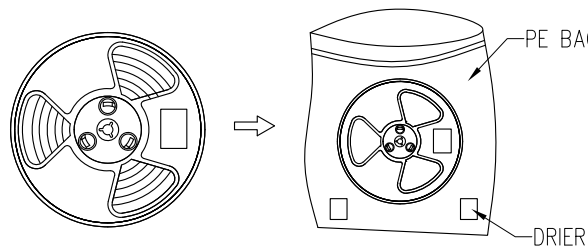
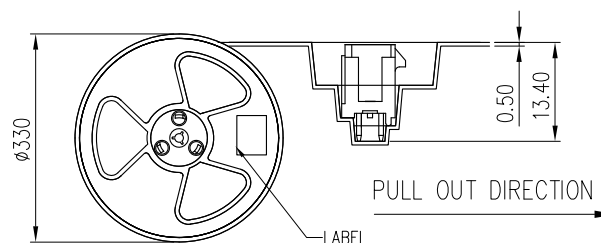
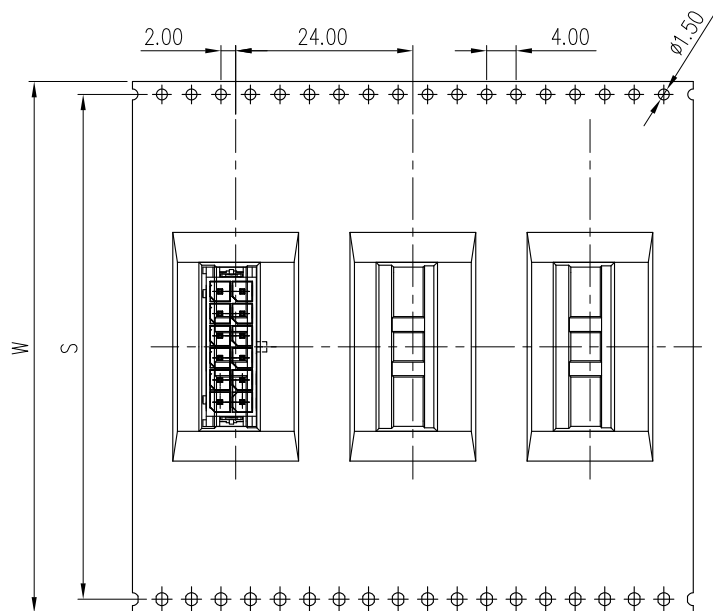
POS	W(mm)	S(mm)	PCS/REEL	PCS/CARTON
2	32	28.4	150	900
4				
6				
8	44	40.4	150	600
10				
12				
14				
16				
18	72	68.4	150	450
20				
22				
24				

TOLERANCE	APPROVALS	DATE	TITLE		Amphenol [®]		
X. ±0.30	DRAWN Karen Su	2022-06-30	G881A SERIES MICRO POWER, WAFER 3.00 MM PITCH STRAIGHT DIP, W/O KINK		Amphenol Corporation Amphenol Taiwan Corporation		
X.X ±0.20	CHECKED Joseph Jiang	2022-06-30					
X.XXX ±0.10	APPROVED Roger Tsai	2022-06-30					
ANGULAR ±1°	DWG TYPE CUST DWG	PROJECT CODE PHD	UNIT mm	SIZE A3	PART No. G881AXX1X2XT3EU		
UNLESS OTHERWISE SPECIFIED			SCALE NA	SHEET 4 OF 5	DWG No. G881AXX1X2XT3EU		
					REV. FX4		

This document is the property of Amphenol Corporation and is delivered on the express condition that is not to be disclosed, reproduced or used, in whole or in part, for manufacture or sale by anyone other than Amphenol Corporation without its prior consent, and that no right is granted to disclose or to use any information in this document.

The marking on this product doesn't contain environmental hazardous materials per directive 2011/65/EU for RoHS compliant.

REVISIONS				
SYM	ECN No.	DESCRIPTION	DATE	BY
A	NE-12149	RELEASE FOR RoHS	2012-08-16	Debby Hung
B	NE-13034	MODIFY PLATING TO OVERALL	2013-03-13	Debby Hung
C	NE-14168	UPDATE TRAY PACKING QUANTITY ADD T&R AND 2 POS.	2014-09-05	Debby Hung
D	NE-15114	CHG T&R PKG CARRIER WIDTH FROM 24 TO 32	2015-09-15	Aqua Chou
E	NE-19064	CAP'S FOOL-PROOF ,ADD T&R W 44, DATE CODE, PTH NOTE	2020-02-07	Sandy Wu
FX1		ADD INSULATOR COLOR OPTION: WHITE	2020-09-01	Juda Liu
FX2	EDSR#10310	MODIFY WHITE TO NATURAL & ADD 2.60 TAIL LENGTH OPTION	2020-10-13	Juda Liu
FX3	EDSR#10307	REDEFINED T/R PACKAGE	2020-10-16	Juda Liu
FX4		CHANGE DIM.0.8 TO 0.7, 0.95 TO 0.96/ARRANGE PEG.2/UPDATE PACKAGE	2022-06-30	Karen Su



POS.	W	S	PCS REEL	REELS CARTON	QUANTITY (PCS)
02	32.0	28.4	150	6	900
04	72.0	68.4	150	3	450
06			150	3	450
08			150	3	450
10			150	3	450
12			150	3	450
14			150	3	450
16			150	3	450
18			150	3	450
20			150	3	450
22			150	3	450
24			150	3	450

TOLERANCE	APPROVALS	DATE	TITLE		Amphenol [®]			
X. ±0.30	DRAWN Karen Su	2022-06-30	G881A SERIES MICRO POWER, WAFER 3.00 MM PITCH STRAIGHT DIP, W/O KINK		Amphenol Corporation Amphenol Taiwan Corporation			
X.X ±0.20	CHECKED Joseph Jiang	2022-06-30						
X.XXX ±0.10	APPROVED Roger Tsai	2022-06-30						
ANGULAR ±1°	DWG TYPE CUST DWG	PROJECT CODE PHD	UNIT mm	SIZE A3	PART No. G881AXX1X2XT3EU			
UNLESS OTHERWISE SPECIFIED			SCALE NA	SHEET 5 OF 5	DWG No. G881AXX1X2XT3EU		REV. FX4	