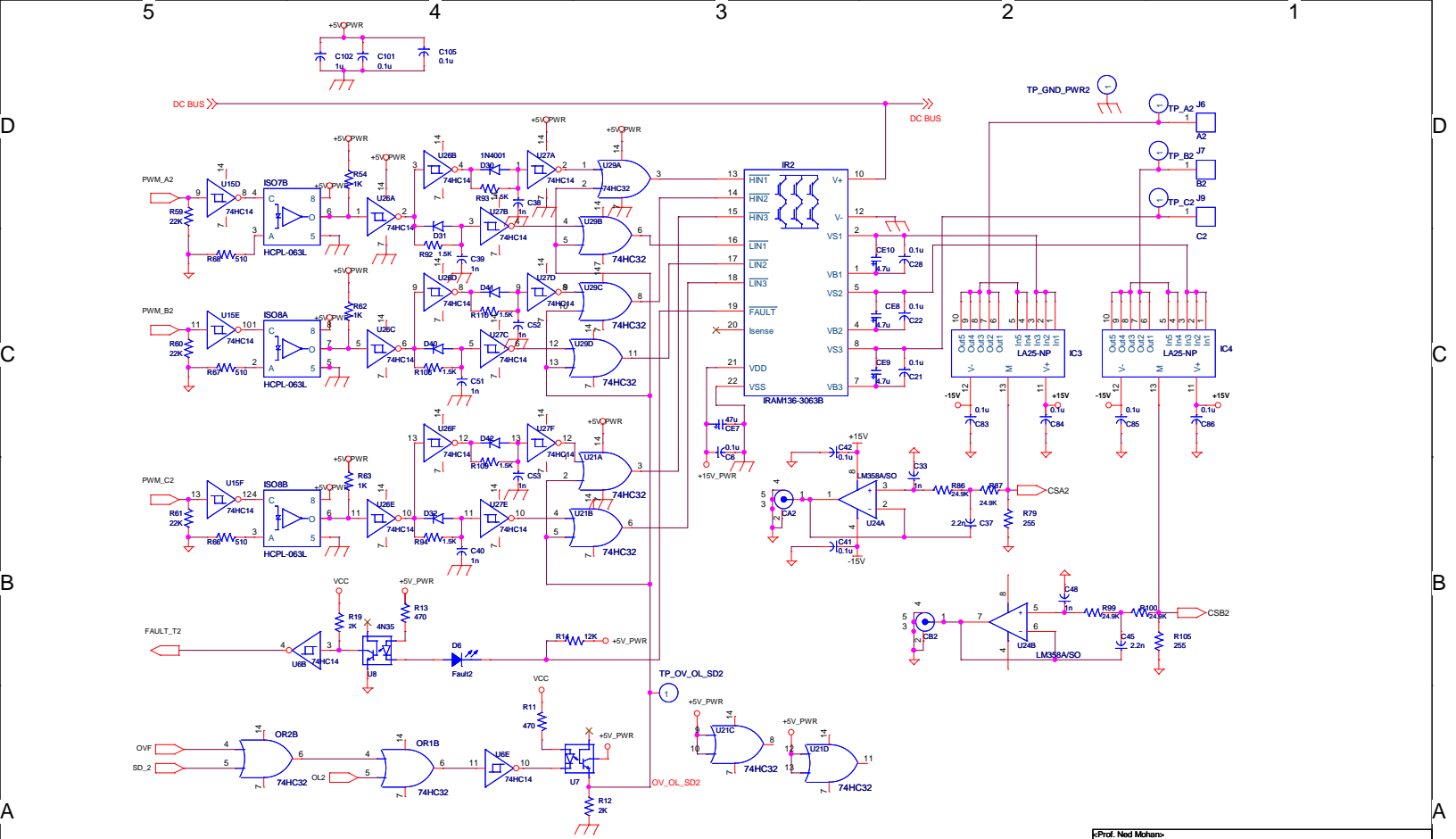
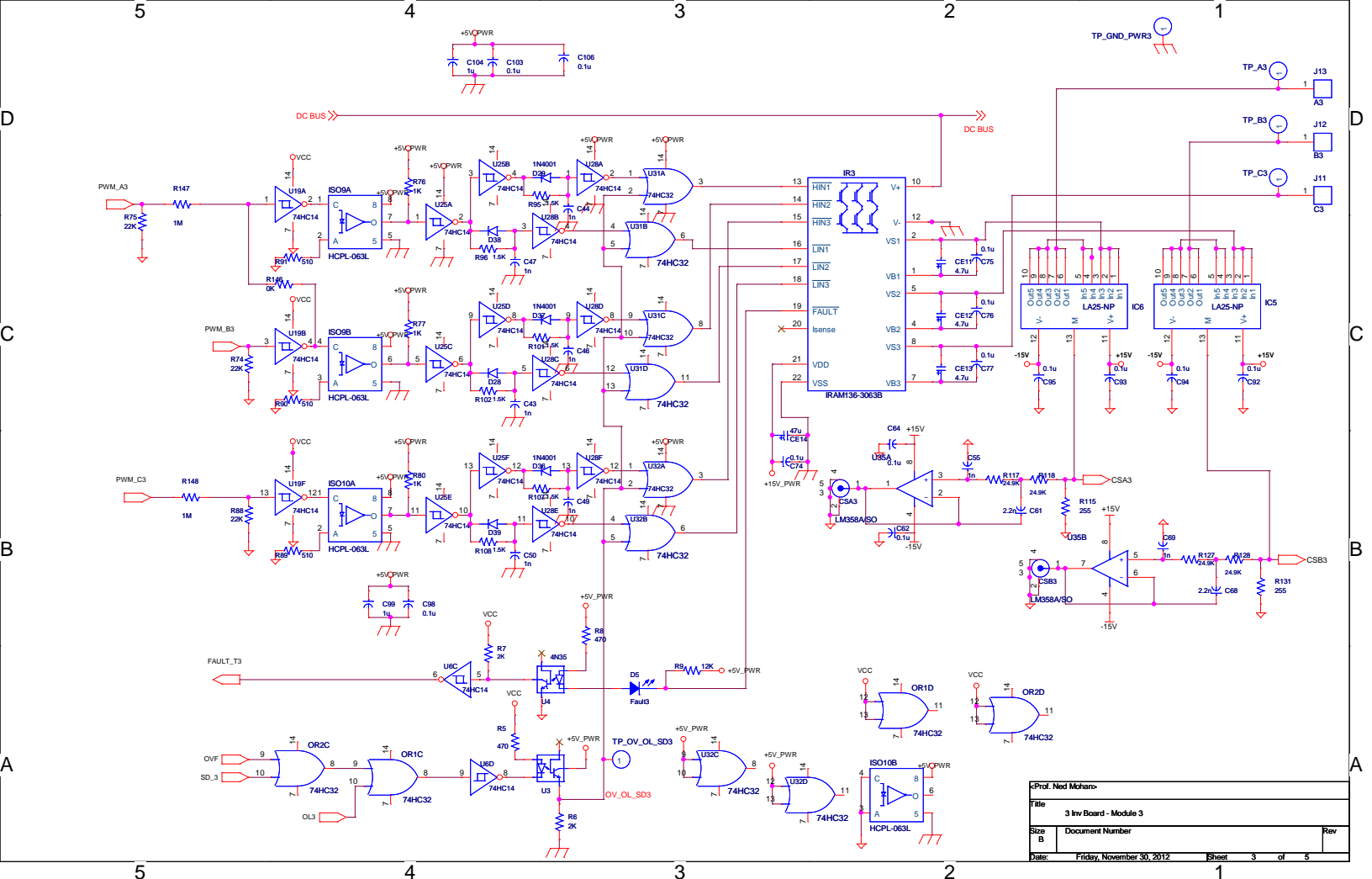


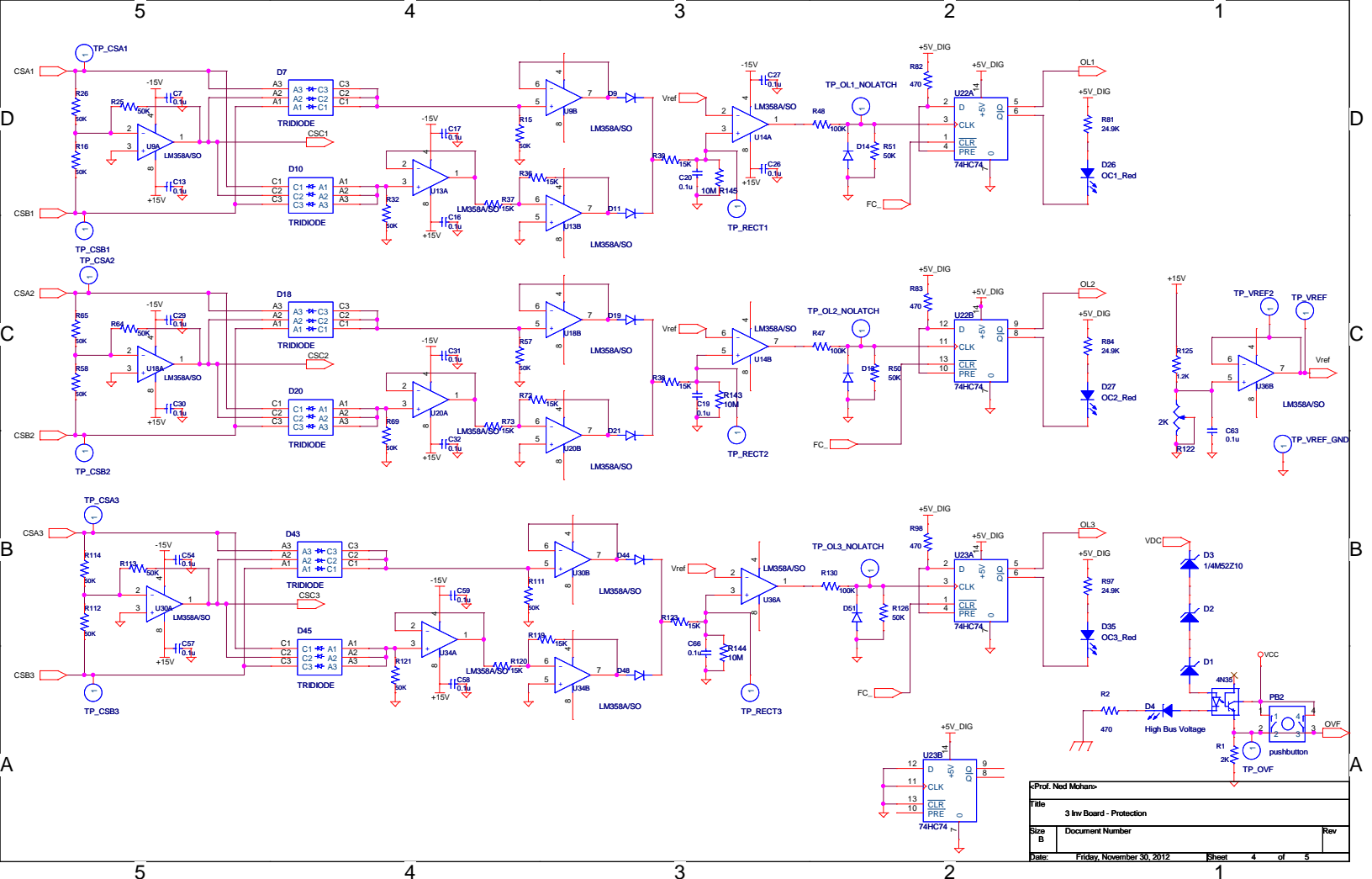
©Prof. Ned Mohan	
File	3 Inv Board - Module 1
Size	Document Number
Date	Tuesday, December 11, 2012
Sheet	1 of 5



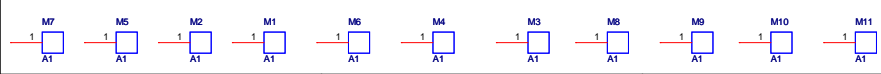
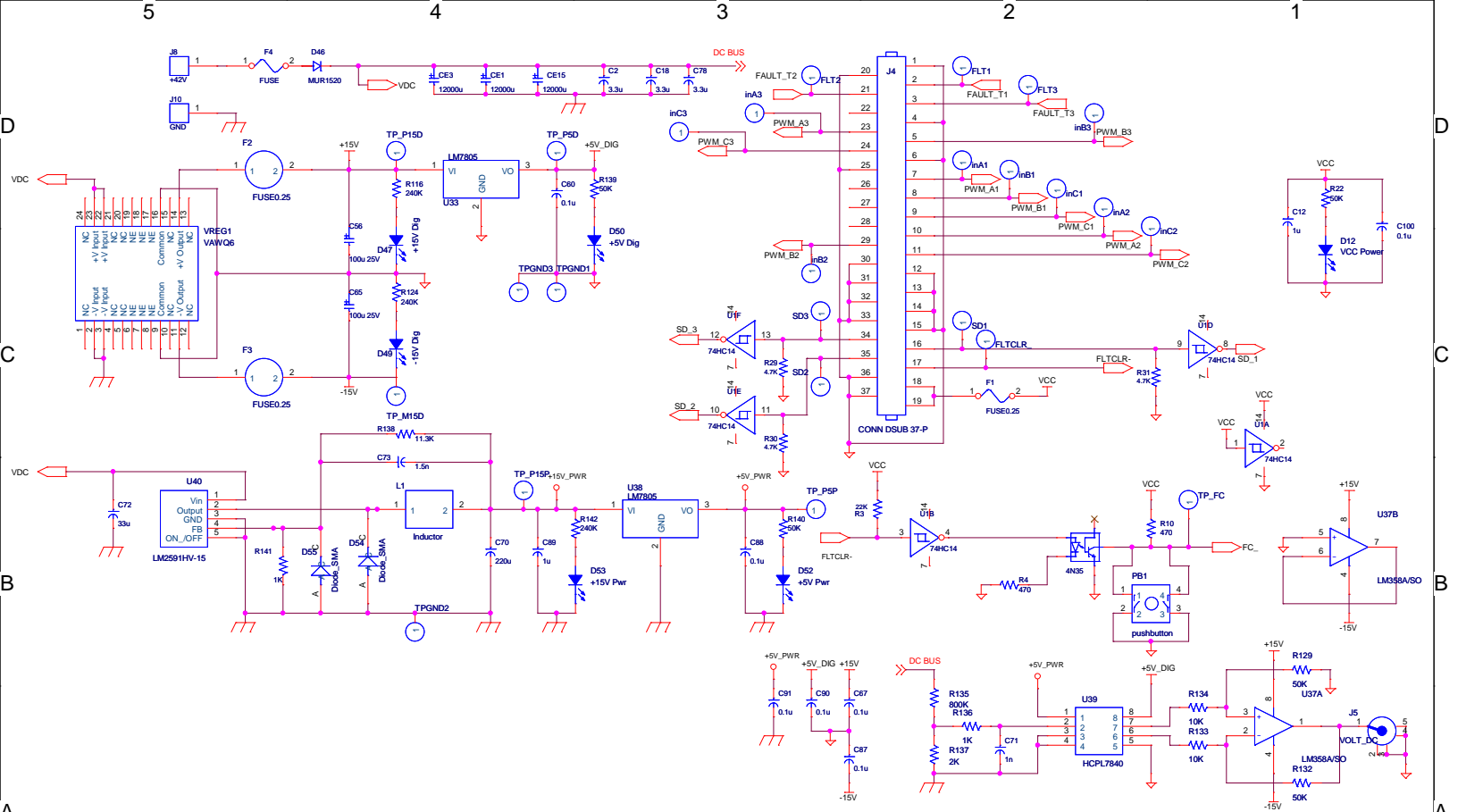
©Prof. Ned Mohan	
File	
3 Inv Board - Module 2	
Size B	
Document Number	
Date:	Tuesday, December 11, 2012
Sheet	2 of 5



©Prof. Ned Mohan		
3 Inverter Board - Module 3		
File	Document Number	Rev
Size		
Date:	Friday, November 30, 2012	Sheet 3 of 5



<b>3 In Board - Protection</b>	
Date: Friday, November 30, 2012	Sheet 4 of 5



Title		3 InV Board - Supply	
Size		Document Number <Doc>	
Date:	Friday, November 30, 2012	Sheet	5 of 5

5

4

3

2

1

A

A

D

D

C

C

B

B