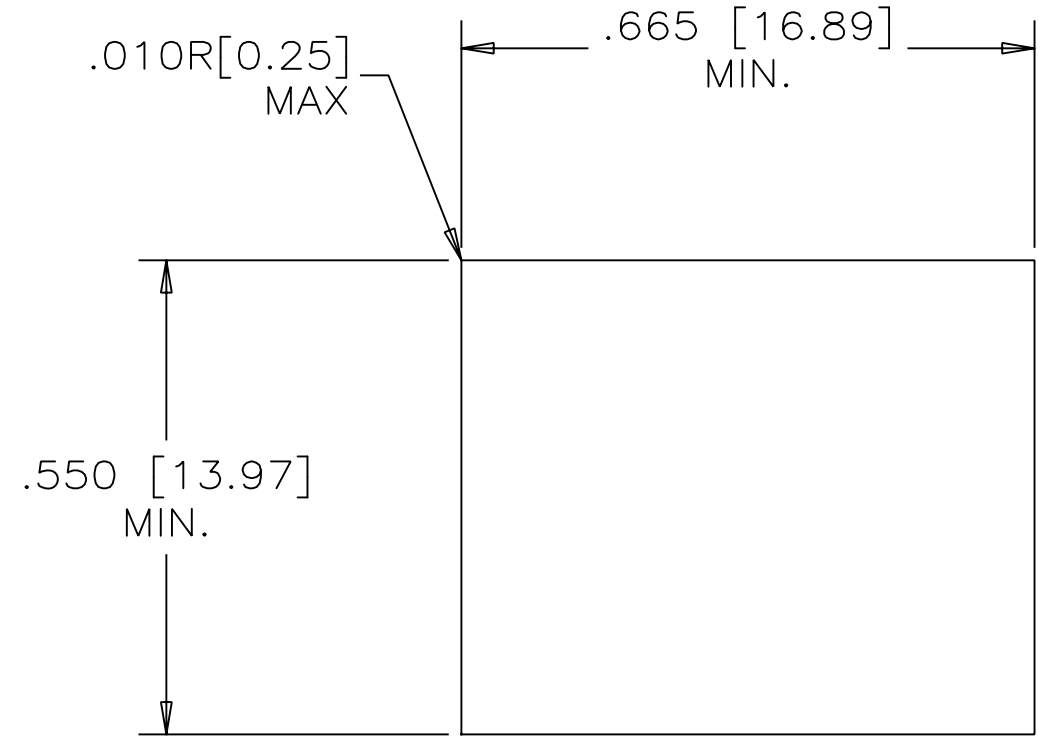
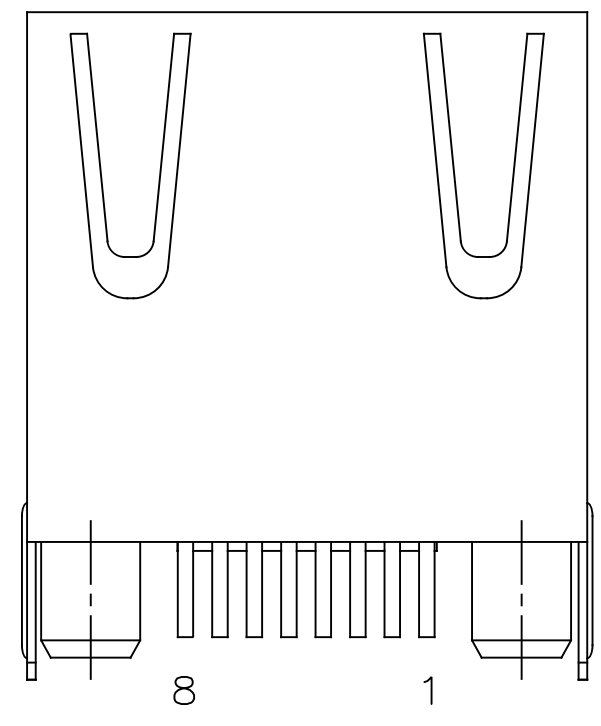
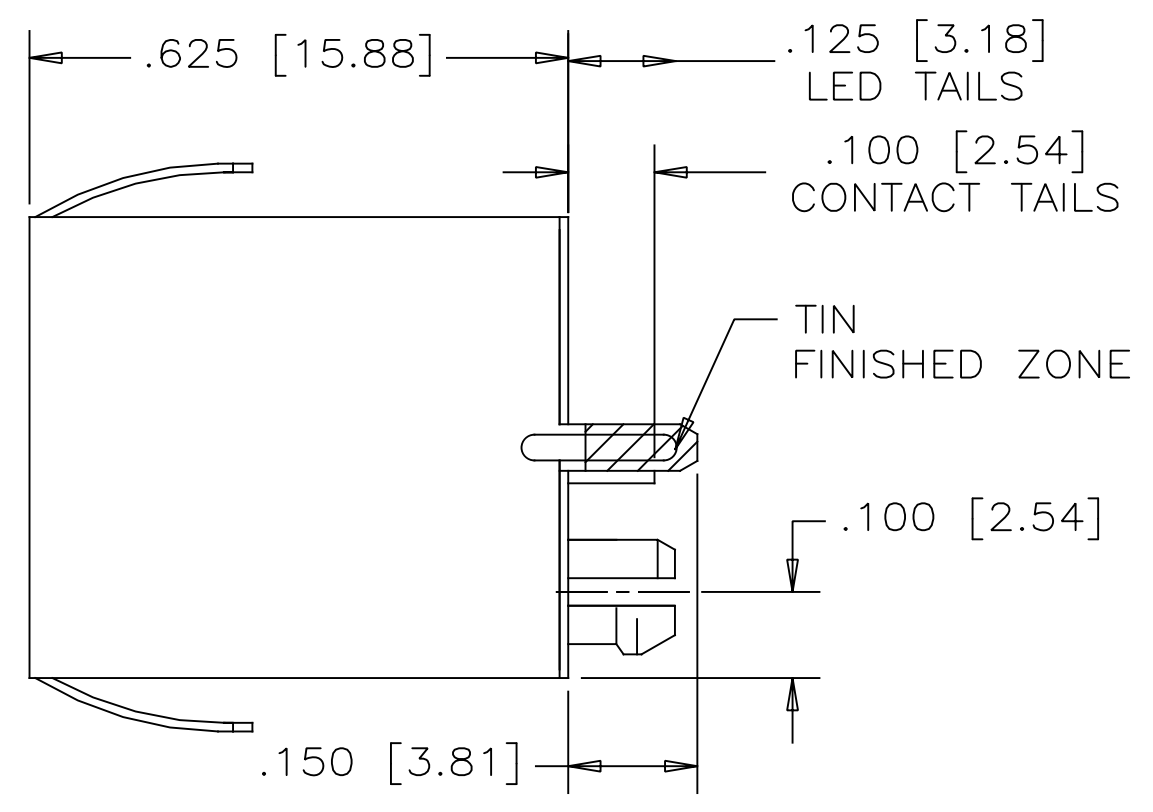
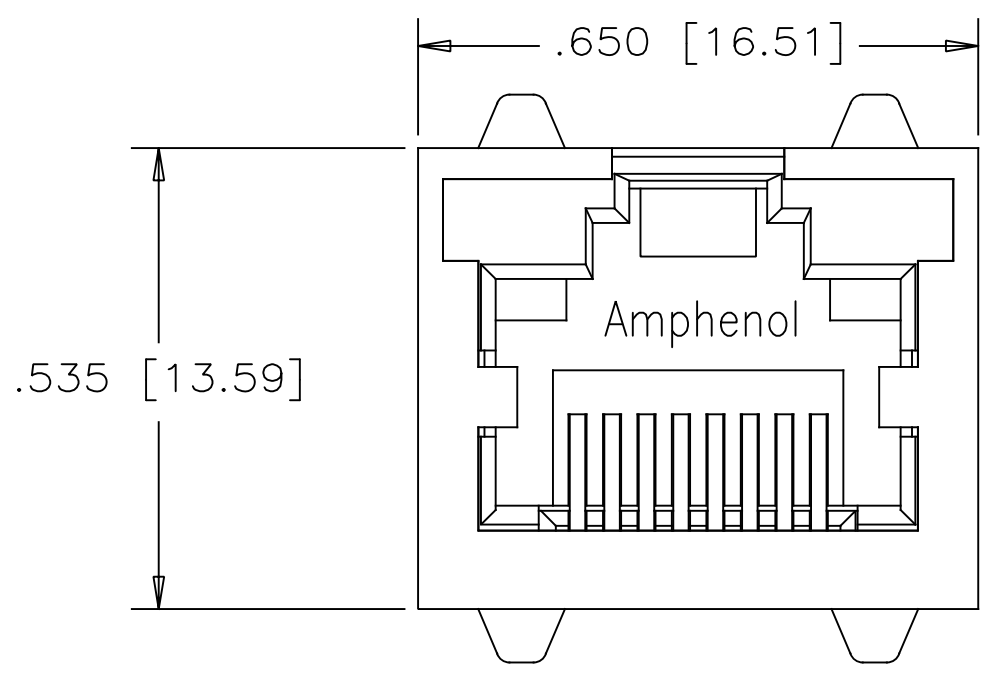


REVISIONS			
REV	DESCRIPTION, ECN, EAR NO.	DATE	APP'D
A	PROPOSAL	APR23/20	L.CHAN



**RECOMMENDED PANEL CUTOUT**

**MATERIALS:**

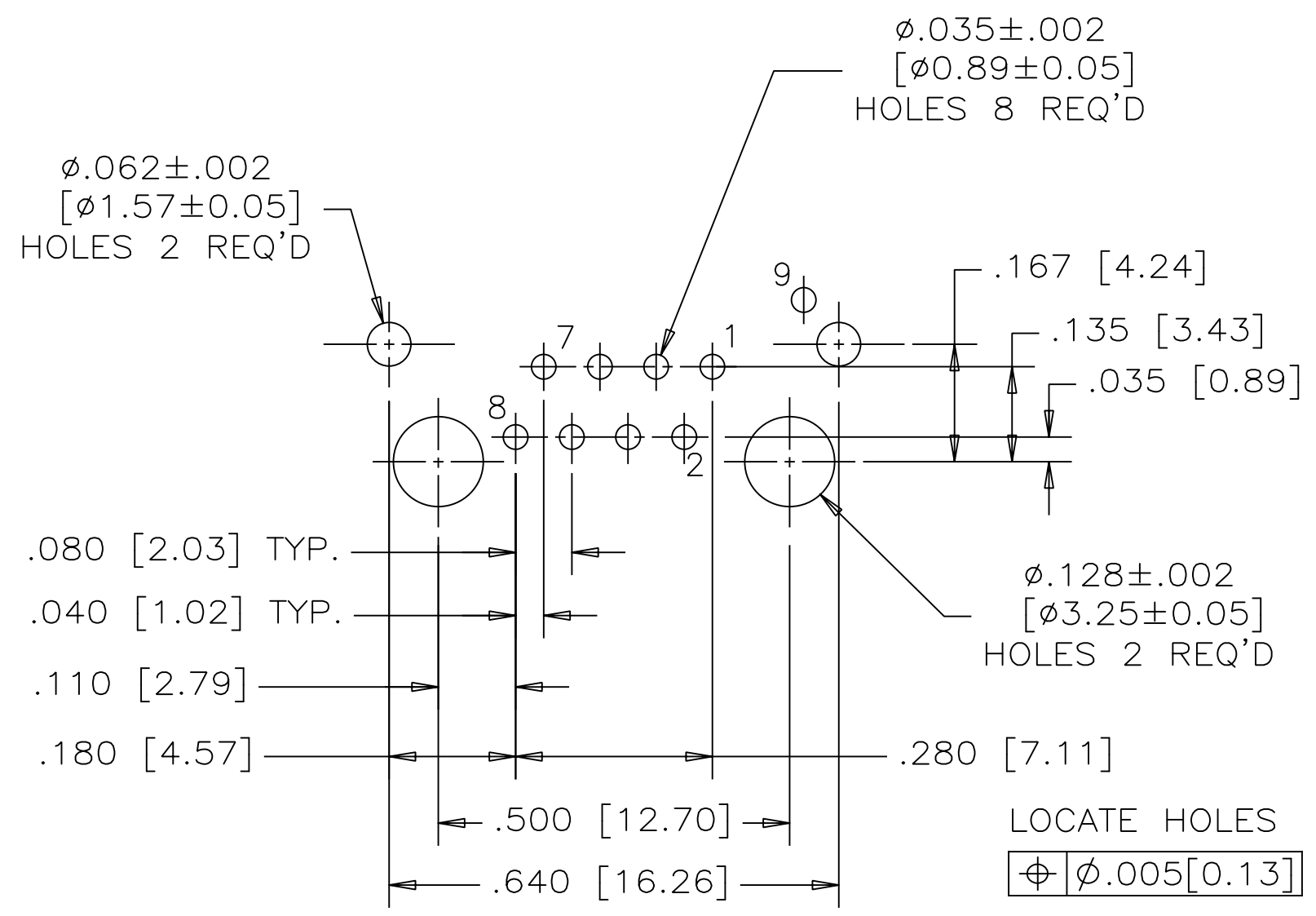
PLASTIC HOUSING: HIGH TEMPERATURE THERMOPLASTIC  
FLAMMABILITY RATING UL 94V-0

CONTACTS: PHOSPHOR BRONZE  
(FLAT) PLATING: 30 μ" [0.76 MICRONS]  
MIN. GOLD ON MATING SURFACES.  
50 μ" [1.27 MICRONS]  
MIN. NICKEL UNDERPLATE  
100 μ" [2.54 MICRONS]  
MIN. MATTE TIN ON CONTACT TAILS.

SHIELD: STAINLESS STEEL WITH TIN FINISHED ON SOLDER TAILS.

RECOMMENDED SOLDERING TEMPERATURE:  
WAVE SOLDERING TEMPERATURE AT 260°C MAXIMUM  
FOR 5 SEC MAXIMUM.

AMPHENOL PART NUMBER: RJHSE-KP80



**RECOMMENDED P.C.B. LAYOUT**  
(COMPONENT SIDE OF BOARD)

LOCATE HOLES  
⊕ ⌀.005 [0.13]  
POSITION DIMENSIONS  
ARE BASIC

UNLESS SPECIFIED OTHERWISE	DRAWN <i>W.QIU</i>	DATE <i>APR23/20</i>
PRIMARY UNITS INCHES	CHECKED <i>L.CHAN</i>	<i>APR23/20</i>
SECONDARY MILLIMETERS	M.E. APP'D	
REFERENCE IN PARENTHESES	Q.A. APP'D	
GENERAL TOLERANCES	DWG APPR.	
1 DECIMAL PLACE ±.025	ENG. REL. NO.	
2 DECIMAL PLACES ±.020	REF.	
3 DECIMAL PLACES ±.015	THIRD ANGLE PROJECTION	DO NOT SCALE DRAWING
ANGULAR DEGREES ±1.0°		

<b>Amphenol Canada Corp.</b> Commercial Products		
TITLE SINGLE PORT MODULAR JACK, VERTICAL MOUNT, 8 POSITIONS, 8 CONTACTS, WITHOUT LED, WITHOUT FLANGE-RoHS COMPLIANT		
DWG. NO.	P-RJHSE-KP80	REV A
CODE ID NO. 03554	DWG SIZE: c	SCALE: 3/1
SHEET 1 OF 1		