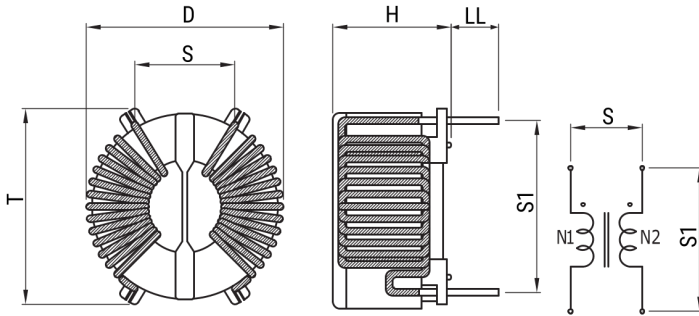


SC-02-E30JKH

Aliases (UALSCO2E30JKH0)

KEMET, SC_JKH, AC Line Filters, Common Mode, 3 mH



Click [here](#) for the 3D model.

Dimensions

D	17mm MAX
T	17mm MAX
H	14.5mm MAX
LL	3.6mm +/-1mm
S	8mm NOM
S1	13mm NOM
Wire Size	0.5mm

Packaging Specifications

Packaging	Tray
Packaging Quantity	280
Component Weight	6 g

General Information

Series	SC_JKH
Style	Through-Hole
RoHS	Yes
Notes	Lead Spacing (S/S1) Are For Reference Only.
Miscellaneous	Temperature Rise Maximum: 40 K.
Core	Mn-Zn Ferrite

Specifications

Voltage AC	250 VAC
Inductance	3 mH
Current	2 A
Temperature Range	-25/+120°C
DC Resistance	85 mOhms