

6

5

4

3

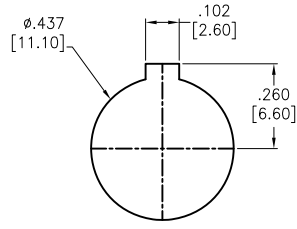
2

1

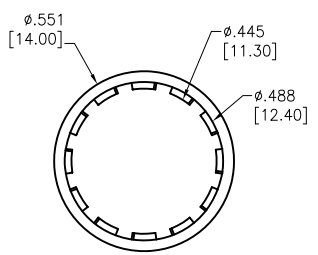
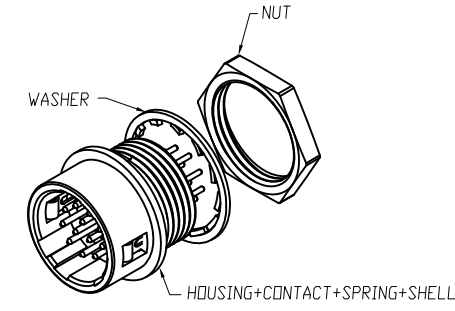
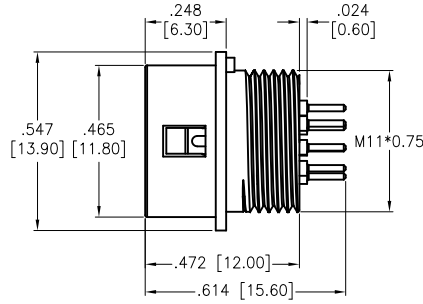
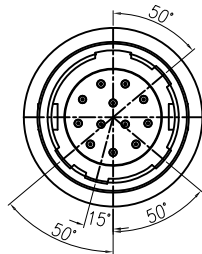
APPROVED: _____

DATE: _____ TITLE: _____

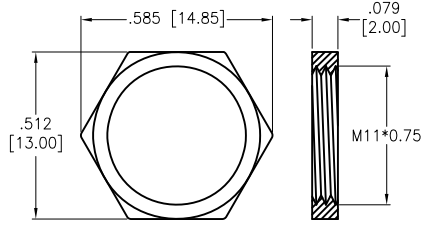
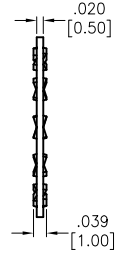
Rev	AWO #	Description	Date	Appr
-		RELEASED	9/5/19	



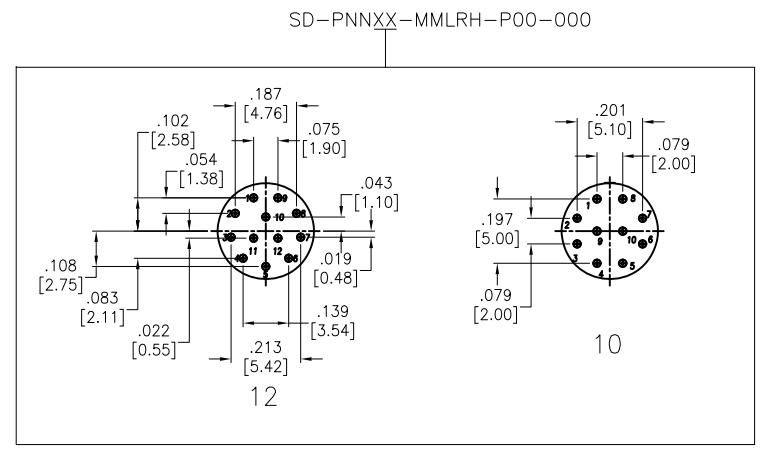
RECOMMENDED PANEL CUT



WASHER



NUT



SPECIFICATIONS:

- Material:
- Housing: Nylon 46, rated UL 94V-0, Color: Black
- Contacts: Brass, Gold Flash over Nickel
- Shell: Zinc Alloy, Nickel plated
- Spring: Stainless Steel
- Washer: Phosphor Bronze, Nickel plated
- Nut: Brass, Nickel plated
- Environmental:
- Lead free, RoHS compliant



UNLESS OTHERWISE SPECIFIED ALL DIMENSIONS ARE INCHES [MM] TOLERANCES: EXCEPT AS NOTED		
INCHES		
.X	± .10	HOLES
.XX	± .020	Ø.X
.XXX	± .015	Ø.XX
		Ø.XXX
APPROVALS		DATE
DRAWN	LH	9/5/19
CHECKED	RC	9/5/19
APPROVED		

ADAM TECH INTERCONNECTS

909 Rahway Avenue,
Union, NJ 07083
Phone: 908-687-5000
Fax: 908-687-5710

TITLE WATERPROOF CONNECTOR, MALE DIN, REAR PANEL, SHELL LOCK TYPE, STR PCB		
SIZE X	PART NO. SD-PNNXX-MMLRH-P00-000	REV. -
REF: S00298T	SCALE: NTS	SHEET 1 OF 1

6

5

4

3

2

1