

SLF10145-KIT

Wire Wound Ferrite Power Inductor Sample Kit

PRODUCT HIGHLIGHTS

- Magnetically shielded wound inductor with ferrite core
- Offers a wide inductance range with low DC resistance and high current handling capabilities
- Magnetic shield construction allows for use in high-density mounting configurations
- Flat bottom surface ensures secure, reliable mounting
- Dimensions: 10.1 x 10.1 x 4.5 mm
- Operating temperature range of -40°C to +105°C



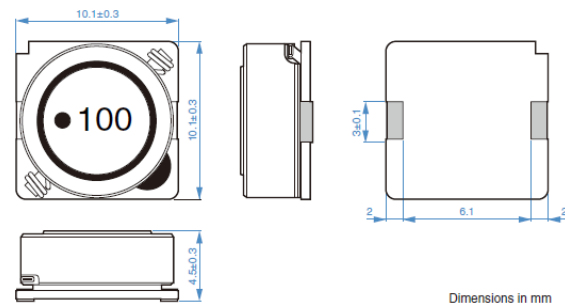
APPLICATION EXAMPLES

- Thin-screen TVs
- AV equipment
- Gaming equipment
- Other electrical devices

SLF10145-KIT Contents

TDK Part Number	Description	Quantity
SLF10145T-3R3N3R7-PF	3.3μH ±30%, 4.9A, 19.3mΩ	3 pcs
SLF10145T-5R6M3R2-PF	5.6μH ±20%, 3.8A, 26.4mΩ	3 pcs
SLF10145T-100M2R5-PF	10μH ±20%, 3A, 43.7mΩ	3 pcs
SLF10145T-150M2R2-PF	15μH ±20%, 2.4A, 56.6mΩ	3 pcs
SLF10145T-220M1R9-PF	22μH ±20%, 2.1A, 70.9mΩ	3 pcs
SLF10145T-330M1R6-PF	33μH ±20%, 1.7A, 97.8mΩ	3 pcs
SLF10145T-470M1R4-PF	47μH ±20%, 1.5A, 120mΩ	3 pcs
SLF10145T-680M1R2-PF	68μH ±20%, 1.3A, 168mΩ	3 pcs
SLF10145T-101M1R0-PF	100μH ±20%, 1.1A, 240mΩ	3 pcs
SLF10145T-151MR79-PF	150μH ±20%, 0.81A, 420mΩ	3 pcs
SLF10145T-221MR65-PF	220μH ±20%, 0.7A, 564mΩ	3 pcs
SLF10145T-331MR54-PF	330μH ±20%, 0.58A, 816mΩ	3 pcs
SLF10145T-471MR47-PF	470μH ±20%, 0.47A, 1.236Ω	3 pcs
SLF10145T-681MR38-PF	680μH ±20%, 0.38A, 1.92Ω	3 pcs
SLF10145T-102MR29-PF	1mH ±20%, 0.32A, 3.36Ω	3 pcs
SLF10145T-152MR22-PF	1.5mH ±20%, 0.26A, 4.08Ω	3 pcs

PRODUCT DIMENSIONS



DESIGN RESOURCES

- [SLF10145 Datasheet](#)
- [Selection Guide - Inductors for Power Circuits \(Commercial Grade\)](#)
- [Application Note - How to Use Power Inductors](#)