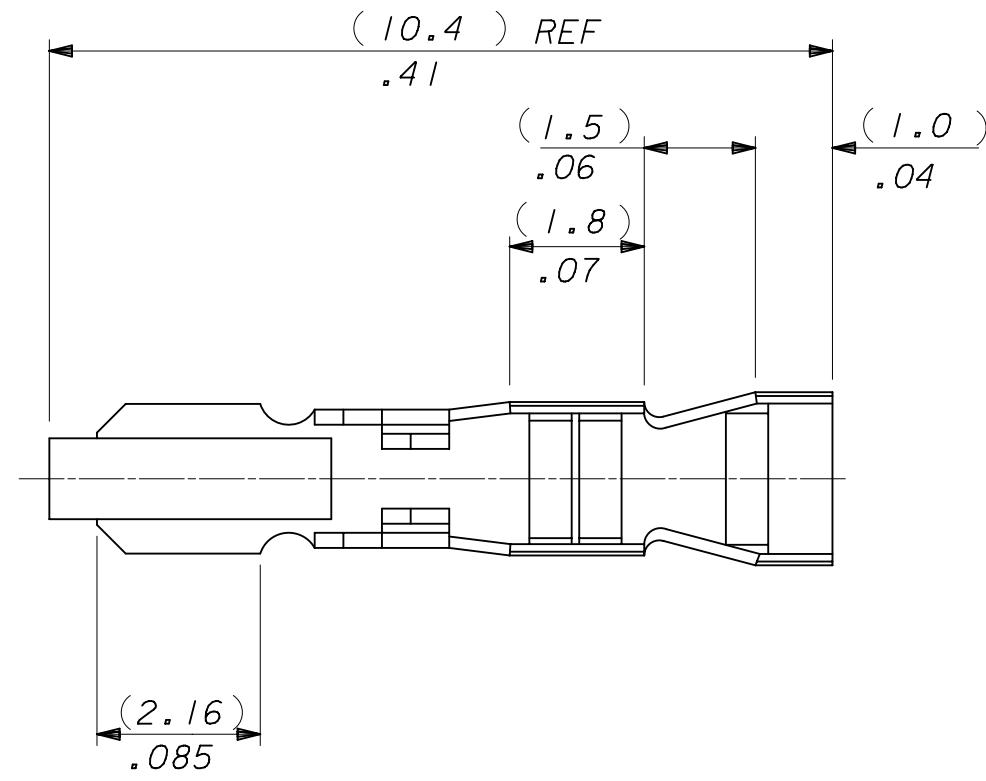
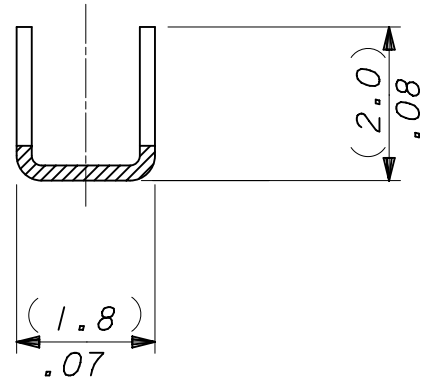
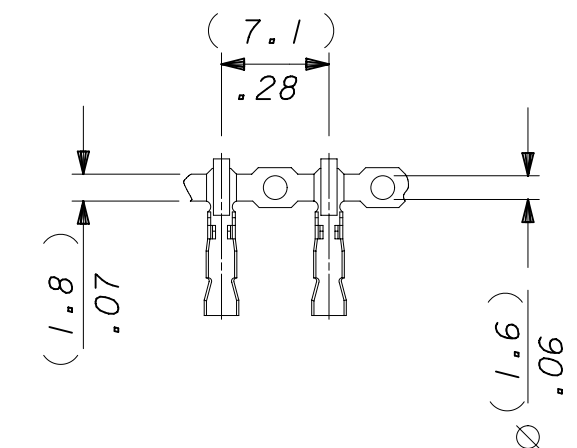
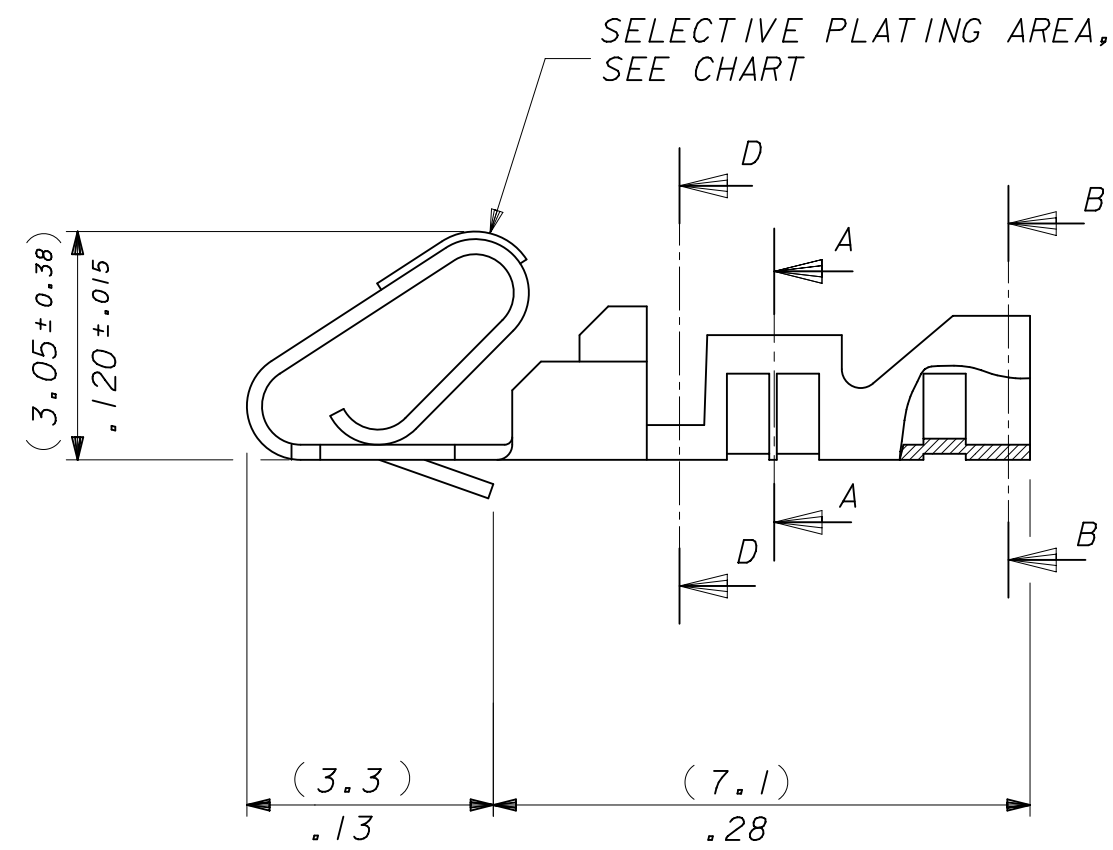
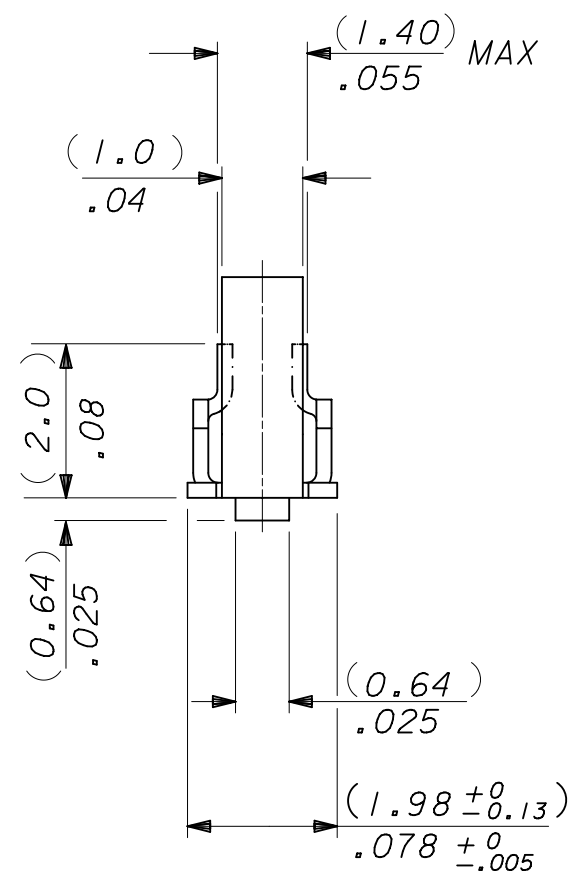


SECTION D-D  
(4809-1T ONLY)



NOTES:

1. MATERIAL: (0.21)/.008 THICK BRASS.
2. FINISH: SEE SHEET 2.
3. THIS PART CONFORMS TO PRODUCT SPEC. 99020-0088.
4. TERMINAL MUST MEET BEND SPEC. SDES-219.
5. SUITABLE FOR 22-30 GA. WIRE, (1.57)/.062 MAX. INSULATION.
6. THIS PART CONFORMS TO CLASS B REQUIREMENTS OF COSMETIC SPECIFICATION PS-45499-002.



CARRIER STRIP DETAIL  
SCALE 2:1

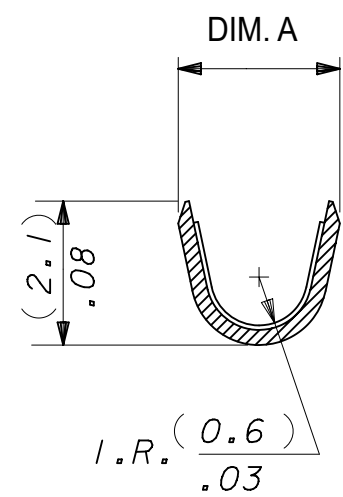
4809-(\*)\*\*

BLANK : DIM. A = (2.1) / 1.083 REF.

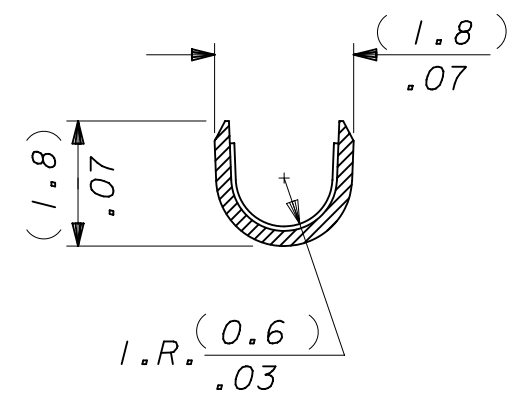
M: DIM A = (2.2) / .087 REF.

BLANK=CHAIN FORM TOP  
FEEDING REEL  
L=LOOSE FORM

PLATING CODE



SECTION B-B



SECTION A-A

THIS DRAWING CONTAINS INFORMATION THAT IS PROPRIETARY TO MOLEX ELECTRONIC TECHNOLOGIES, LLC AND SHOULD NOT BE USED WITHOUT WRITTEN PERMISSION									
DIMENSION UNITS		SCALE		CURRENT REV DESC: OBSOLETE PART NUMBERS AS PER PCN#509450.					
MM/IN		10:1		<p><b>molex</b></p> <p>ANTI-FISH HOOKING TERMINAL KK,(2.50)/.100</p> <p>PRODUCT CUSTOMER DRAWING</p> <p>DOCUMENT NUMBER: <b>SD-4809-X</b>    DOC TYPE: PSD    DOC PART: 001    REVISION: AP</p>					
GENERAL TOLERANCES (UNLESS SPECIFIED)									
4 PLACES		± .01							
3 PLACES		± .014							
2 PLACES		± .025							
1 PLACE		± .035		EC NO: 694111		2022/01/28		DRWN: SANTHN	
0 PLACES		± .05		CHK'D: GGA		2022/03/31		APPR: GGA	
ANGULAR TOL		± °		INITIAL REVISION:		1986/07/30		2004/10/19	
DRAFT WHERE APPLICABLE MUST REMAIN WITHIN DIMENSIONS		THIRD ANGLE PROJECTION		DRAWING		SERIES		MATERIAL NUMBER	
		C-SIZE		4809		SEE CHART		CUSTOMER	
						GENERAL MARKET		SHEET NUMBER	
								1 OF 2	

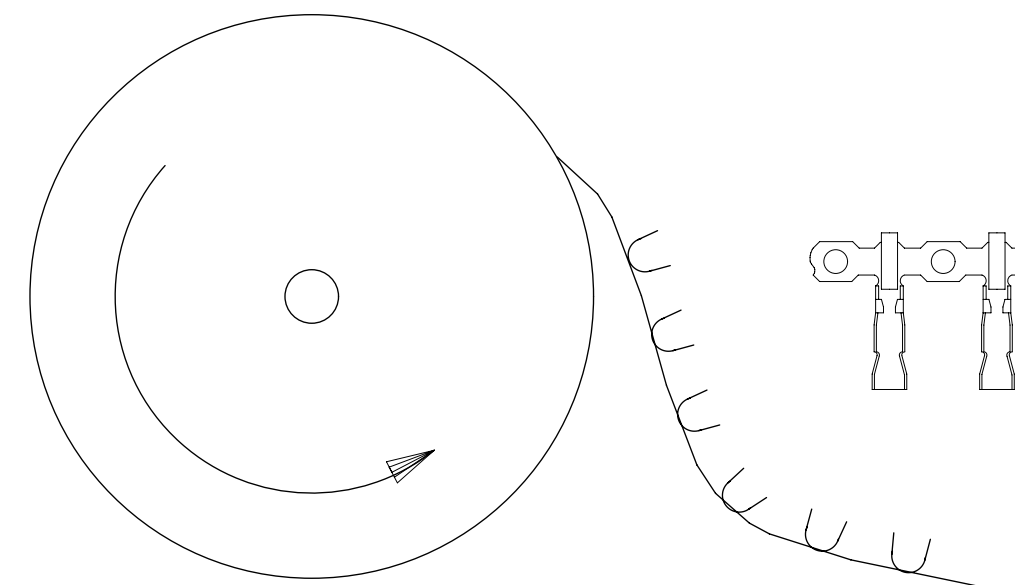
FINISH NOTES:

(550) GOLD PLATE (0.00038)/.000015 MIN. OVER (0.00076)/.000030 MIN. NICKEL

IN CONTACT AREA WITH (0.00005)/.000002 MIN. GOLD FLASH OVERALL.

(555) SELECTIVE GOLD (0.00038)/.000015 MIN. OVER (0.00076)/.000030 MIN. NICKEL IN CONTACT AREA ONL

(P918) HOT TIN DIP (0.00102-0.00305)/.000040-.000120



TERMINALS FEEDING FROM THE TOP OF THE REEL ARE STANDARD WOUND

08 - 55 - 0110	4809 - (555)	CHAIN	( 555 )	(2.45 - 1.75)/ .096 - .069
08 - 56 - 0120	4809 - (550)	CHAIN	( 550 )	(2.45 - 1.75)/ .096 - .069
08 - 50 - 0135	4809 - (P918)	CHAIN	(P918)	(2.45 - 1.75)/ .096 - .069
PART No	ENG No	FORM	FINISH	DIM . A
TOP FEEDING REELS ONLY				

THIS DRAWING CONTAINS INFORMATION THAT IS PROPRIETARY TO MOLEX ELECTRONIC TECHNOLOGIES, LLC AND SHOULD NOT BE USED WITHOUT WRITTEN PERMISSION											
DIMENSION UNITS <b>MM/IN</b>		SCALE <b>1:1</b>		CURRENT REV DESC: OBSOLETE PART NUMBERS AS PER PCN#509450.			<b>molex</b>				
GENERAL TOLERANCES (UNLESS SPECIFIED)				EC NO: 694111							
		MM	INCH	DRWN: SANTHN 2022/01/28			ANTI-FISH HOOKING TERMINAL KK,(2.50)/.100				
4 PLACES		±	±	CHK'D: GGA 2022/03/31							
3 PLACES		±	± 0.01	APPR: GGA 2022/03/31			PRODUCT CUSTOMER DRAWING				
2 PLACES		± 0.25	± 0.014	INITIAL REVISION:							
1 PLACE		± 0.35	±	DRWN: MCC 1986/07/30			DOCUMENT NUMBER		DOC TYPE	DOC PART	REVISION
0 PLACES		±	±	APPR: JDENNEHY 2004/10/19			<b>SD-4809-X</b>		PSD	001	AP
ANGULAR TOL		±	°	THIRD ANGLE PROJECTION		DRAWING	SERIES	MATERIAL NUMBER	CUSTOMER		SHEET NUMBER
DRAFT WHERE APPLICABLE MUST REMAIN WITHIN DIMENSIONS				C-SIZE		4809	SEE CHART	GENERAL MARKET		2 OF 2	

DOCUMENT STATUS	P1	RELEASE DATE	2022/03/31	10:33:08
-----------------	----	--------------	------------	----------