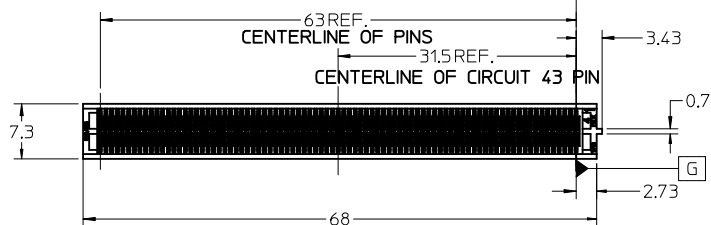
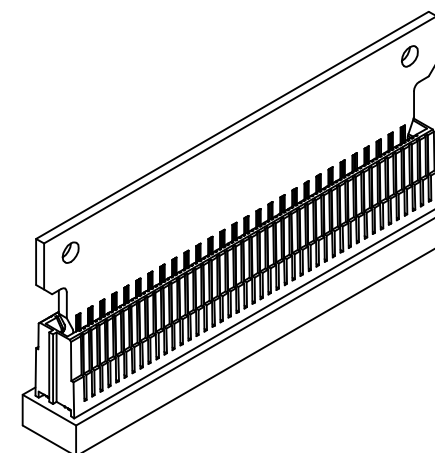
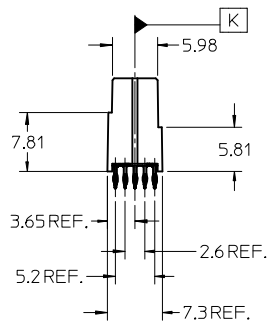
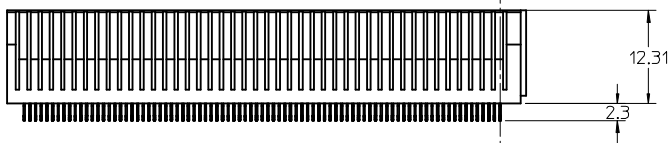
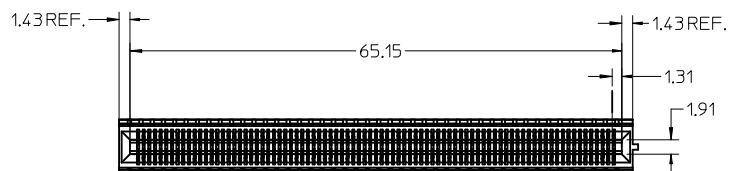


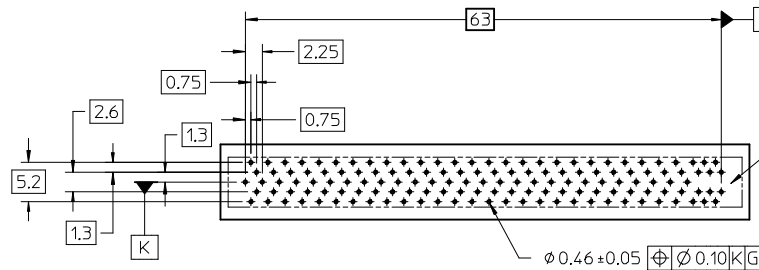
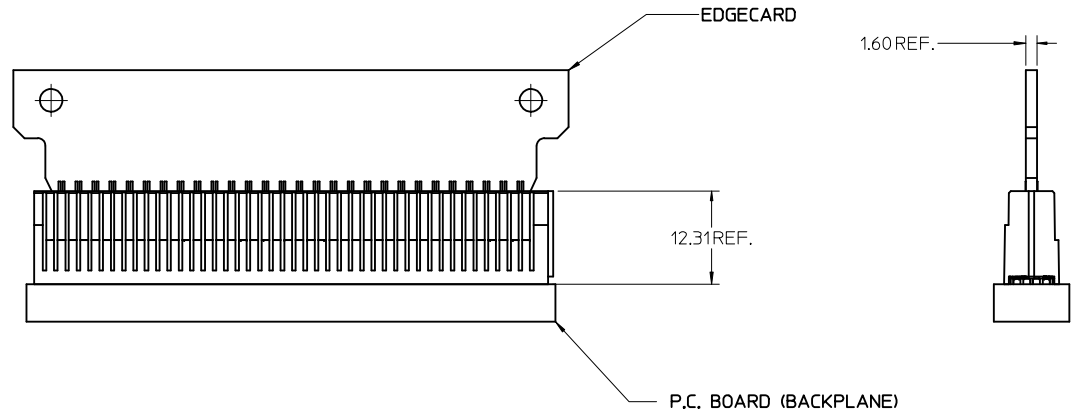
NOTES:

1. MATERIAL:  
HOUSING - GLASS FILLED THERMOPLASTIC, 94-V0, BLACK  
TERMINALS - BRASS
2. FINISH:  
CONTACT AREA: HARD GOLD -0.76µm MIN OVER 3.80µ NICKEL  
COMPLIANT AREA: TIN - 0.76/1.52µm OVERALL NICKEL
3. REFER TO PS-75594-999 PRODUCT SPECIFICATION FOR ALL ELECTRICAL, MECHANICAL AND ENVIROMENTAL SPECIFICATIONS.
4. REFER TO PK-75594-999 FOR ALL PACKAGING SPECIFICATIONS.
5. PROCESSING: PRESSFIT TO PC BOARD.
6. IN ORDER TO PROVIDE OPTIMAL ELECTRICAL PERFORMANCE, THE MATING BOARD MUST MEET REQUIREMENTS OF AMC.O R2 SPECIFICATION.
7. MATING PC BOARD THICKNESS = 1.60±0.16MM OVER CONTACT PADS.



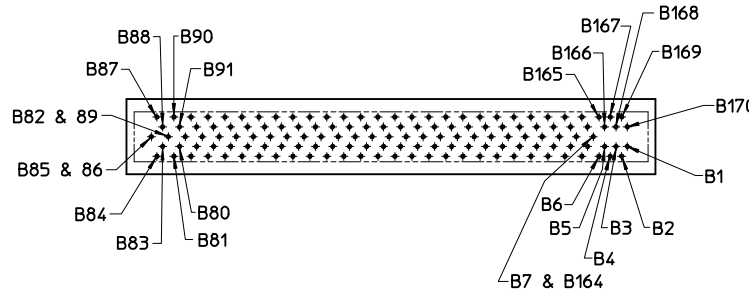
CORRECT SHEET 3 EC NO: UCP2016-1192 DRW: MPOFF CHK: DMORGAN APPR: SMILLER	2015/09/16 2015/09/16 2015/10/06	DESCRIPTION REV:	QUALITY SYMBOLS	GENERAL TOLERANCES (UNLESS SPECIFIED)	DIMENSION STYLE	SCALE	DESIGN UNITS	THIRD ANGLE PROJECTION
			▽=0	mm INCH	MM ONLY	2:1	METRIC	SALES ASSEMBLY EDGE CARD, 75 MM PITCH 170 CIRCUIT <b>molex</b> DOCUMENT NO. SD-75594-001 SHEET NO. 1 OF 3
			▽=0	4 PLACES ± --- ± ---	DRAWN BY DATE	DROSCA 04/28/2008 CHECKED BY DATE JCOMERC I 04/28/2008 APPROVED BY DATE JCOMERC I 04/28/2008		
			▽=0	3 PLACES ± --- ± ---	MATERIAL NO.			
	2 PLACES ± 0.13 ± ---	755940000						
	1 PLACE ± 0.25 ± ---							
	0 PLACE ± ±							
			ANGULAR ± 2 °	DRAFT WHERE APPLICABLE MUST REMAIN WITHIN DIMENSIONS	SIZE C	THIS DRAWING CONTAINS INFORMATION THAT IS PROPRIETARY TO MOLEX INCORPORATED AND SHOULD NOT BE USED WITHOUT WRITTEN PERMISSION		

75594-0000 LEGEND 170 CIRCUITS				
COMPONENT SIDE 1		COMPONENT SIDE 2		
PIN NO.	SIGNAL	ALLEGRO PIN NO.	SIGNAL	PIN NO.
170				1
169				2
168				3
167				4
166				5
165				6
164				7
163				8
162				9
161				10
160				11
159				12
158				13
157				14
156				15
155				16
154				17
153				18
152				19
151				20
150				21
149				22
148				23
147				24
146				25
145				26
144				27
143				28
142				29
141				30
140				31
139				32
138				33
137				34
136				35
135				36
134				37
133				38
132				39
131				40
130				41
129				42
128				43
127				44
126				45
125				46
124				47
123				48
122				49
121				50
120				51
119				52
118				53
117				54
116				55
115				56
114				57
113				58
112				59
111				60
110				61
109				62
108				63
107				64
106				65
105				66
104				67
103				68
102				69
101				70
100				71
99				72
98				73
97				74
96				75
95				76
94				77
93				78
92				79
91				80
90				81
89				82
88				83
87				84
86				85



Note:  
The holes located down the center are omitted within the last twelve circuit positions.  
The center to center array remains constant.

FINISHED PLATED THRU HOLE SIZE  
0.57 MM DRILLED HOLE SIZE  
0.0254-0.0635 ELECTRO DEPOSITED COPPER



MOTHER BOARD HOLE LAYOUT

<b>SEE SHEET 1</b> EC NO: UCP2016-1192 2015/09/16 IDRW:MPDFF CHKD:DMORGAN 2015/09/16 APPR:SMILLER 2015/10/06	QUALITY SYMBOLS $\nabla = 0$ $\nabla = 0$ $\nabla = 0$	GENERAL TOLERANCES (UNLESS SPECIFIED) <table border="1"> <tr> <th></th> <th>mm</th> <th>INCH</th> </tr> <tr> <td>4 PLACES</td> <td><math>\pm 0.13</math></td> <td><math>\pm 0.005</math></td> </tr> <tr> <td>3 PLACES</td> <td><math>\pm 0.25</math></td> <td><math>\pm 0.010</math></td> </tr> <tr> <td>2 PLACES</td> <td><math>\pm 0.51</math></td> <td><math>\pm 0.020</math></td> </tr> <tr> <td>1 PLACE</td> <td><math>\pm 1.27</math></td> <td><math>\pm 0.050</math></td> </tr> <tr> <td>0 PLACE</td> <td><math>\pm 2.54</math></td> <td><math>\pm 0.100</math></td> </tr> </table>		mm	INCH	4 PLACES	$\pm 0.13$	$\pm 0.005$	3 PLACES	$\pm 0.25$	$\pm 0.010$	2 PLACES	$\pm 0.51$	$\pm 0.020$	1 PLACE	$\pm 1.27$	$\pm 0.050$	0 PLACE	$\pm 2.54$	$\pm 0.100$	DIMENSION STYLE <b>MM ONLY</b> DRAWN BY DATE DROSCA 04/28/2008 CHECKED BY DATE JCOMERC I 04/28/2008 APPROVED BY DATE JCOMERC I 04/28/2008	SCALE <b>1:1</b> DESIGN UNITS <b>METRIC</b> THIRD ANGLE PROJECTION	TITLE <b>SALES ASSEMBLY          EDGE CARD, 75 MM PITCH          170 CIRCUIT</b> <b>molex</b>
		mm	INCH																				
	4 PLACES	$\pm 0.13$	$\pm 0.005$																				
	3 PLACES	$\pm 0.25$	$\pm 0.010$																				
2 PLACES	$\pm 0.51$	$\pm 0.020$																					
1 PLACE	$\pm 1.27$	$\pm 0.050$																					
0 PLACE	$\pm 2.54$	$\pm 0.100$																					
MATERIAL NO. <b>SEE SHEET 1</b>	DOCUMENT NO. <b>SD-75594-001</b>	SHEET NO. <b>2 OF 3</b>																					
DRAFT WHERE APPLICABLE MUST REMAIN WITHIN DIMENSIONS			THIS DRAWING CONTAINS INFORMATION THAT IS PROPRIETARY TO MOLEX INCORPORATED AND SHOULD NOT BE USED WITHOUT WRITTEN PERMISSION																				

