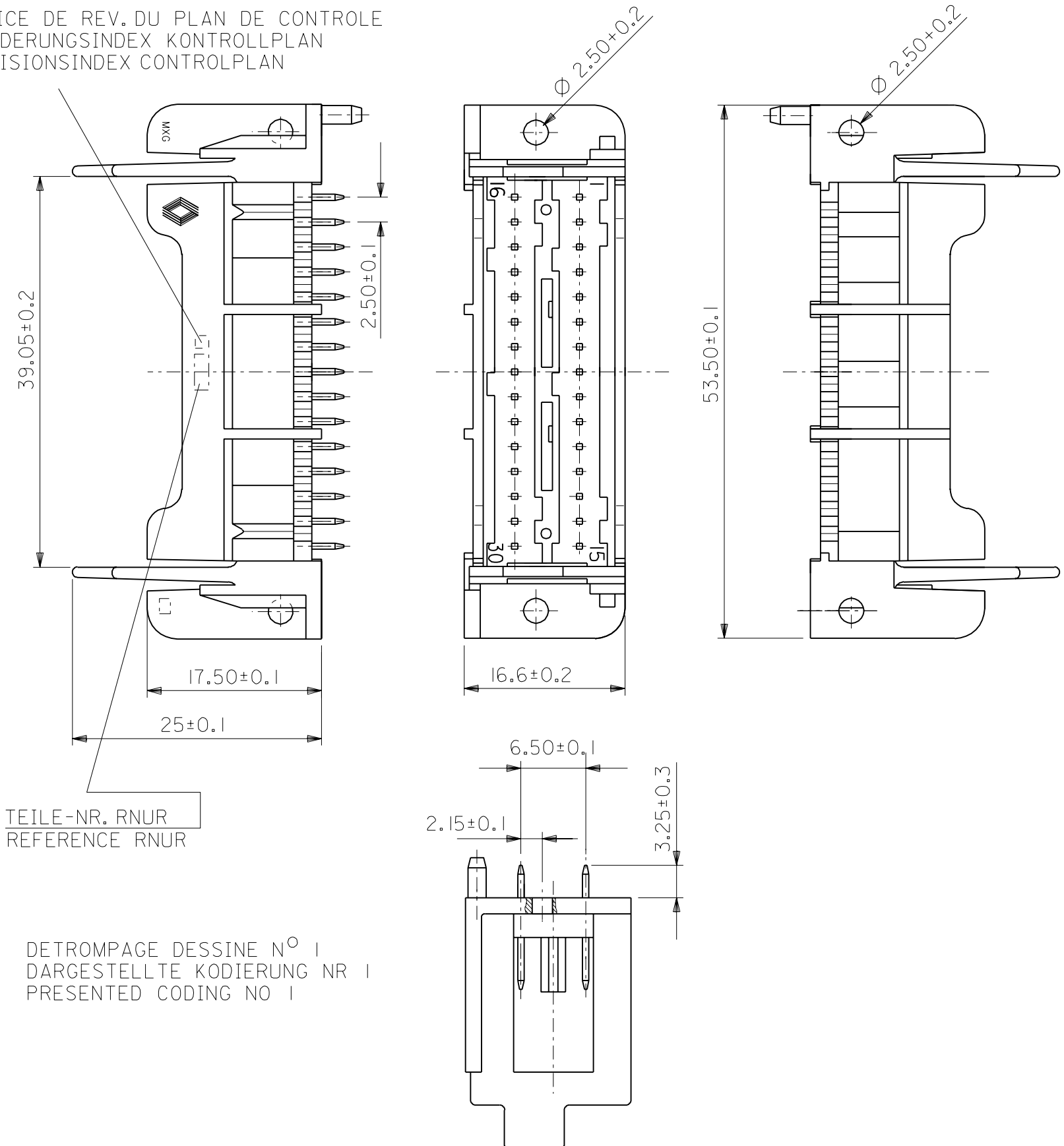


INDICE DE REV. DU PLAN DE CONTROLE
 AENDERUNGSINDEX KONTROLLPLAN
 REVISIONSINDEX CONTROLPLAN



TEILE-NR. RNUR
 REFERENCE RNUR

DETROMPAGE DESSINE N° 1
 DARGESTELLTE KODIERUNG NR 1
 PRESENTED CODING NO 1

MATIERES:
 EMBASE: POLYESTER 30% CHARGE DE VERRE
 CONTACT: CUPRO FER

WERKSTOFF:
 HEADER: POLYESTER 30% GLASFASER
 KONTAKT: KUPFER EISENLEGIERUNG

MATERIAL:
 HEADER: POLYESTER 30% GLASS
 CONTACT: COPPER IRON

TEILE NR HEADER 30 POL. ABGEWINKELT/REFERENCE EMBASES 30 VOIES COUDEES/PN-HEADERS 30 WAY STRAIGHT

REVETEMENT CONTACTS KONTAKTOBERFLAECHE PLATING	DETROMPAGE INTERFACIAL KODIERUNG CODING	REFERENCE RNUR TEILE NR RNUR	REFERENCE MOLEX TEILE NR MOLEX	COULEUR/EMBASE FARBE/HEADER COLOR
VERZINNT ETAME TINNED	1	770329 7060	98391-2111	BLAU/BLEU/BLUE
	2	770329 7061	98391-2112	ROT/ROUGE/RED
	3	770329 7062	98391-2113	GRUEN/VERT/GRUEN
	4	770329 7063	98391-2114	GELB/JAUNE/YELLOW
	5	770329 7064	98391-2115	BRAUN/MARRON/BROWN
VERGOLDET DORE GOLDEN	1	770329 7065	98391-2121	BLAU/BLEU/BLUE
	2	770329 7066	98391-2122	ROT/ROUGE/RED
	3	770329 7067	98391-2123	GRUEN/VERT/GRUEN
	4	770329 7068	98391-2124	GELB/JAUNE/YELLOW
	5	770329 7069	98391-2125	BRAUN/MARRON/BROWN
UNIVERSALSTECKER/CONNECTEUR UNIVERSEL/CONNECTOR UNIVERSAL			98391-2126	VIOLETT/VIOLET/VIOLET

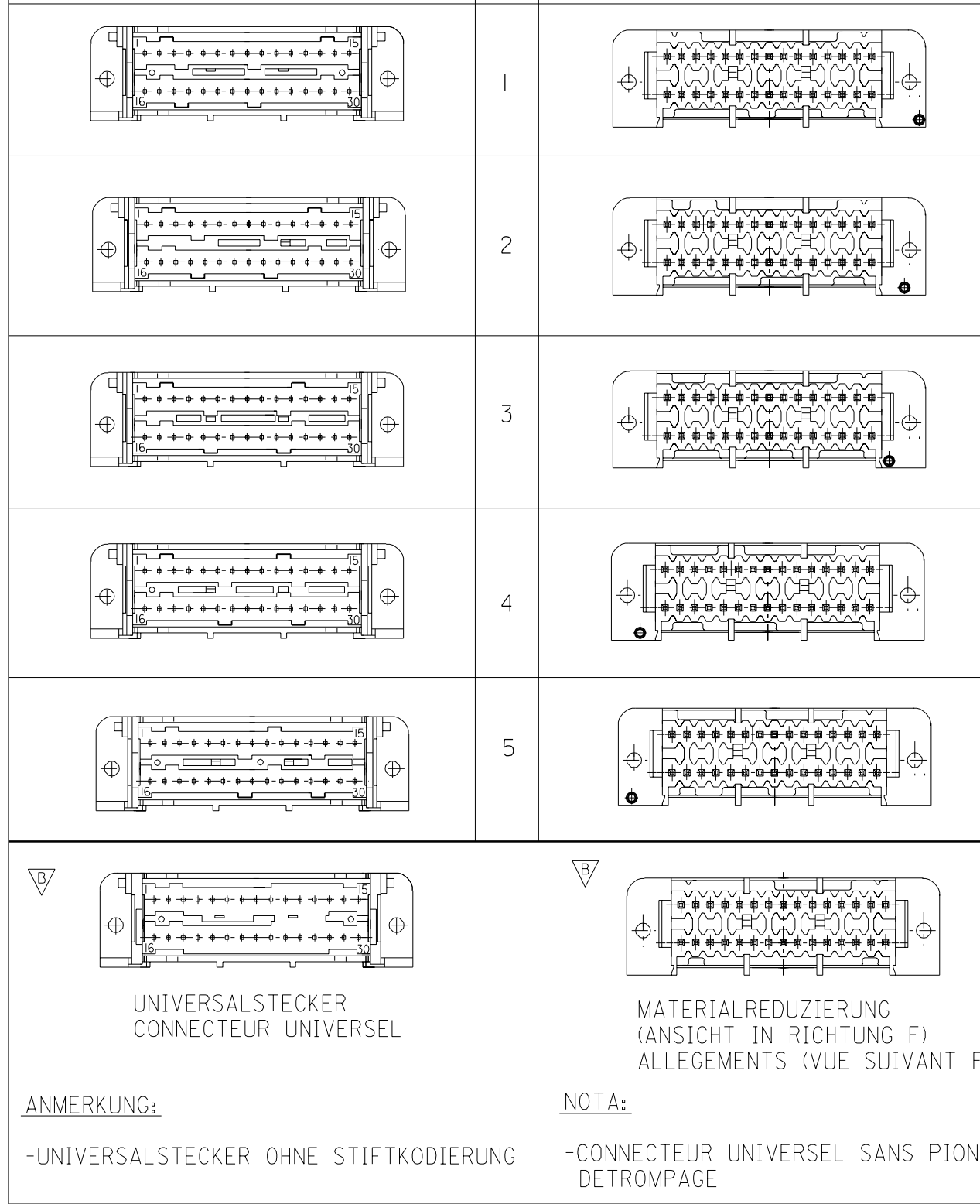
CONDITIONNEMENT
 CARTON A11 H(600x400x200)
 300 PIECES/CARTON
 CONDITIONNEMENT
 RECUPERABLE

VERPACKUNG
 KARTON A11 H(600x400x200)
 300 TEILE/KARTON
 WIEDERVERWENDBARE
 VERPACKUNG

PACKAGING
 CARTON A11 H(600x400x200)
 300 PIECES/CARTON
 REFLOW PACKAGING

DETROMPAGES INTERFACIAUX
 VUE DE FACE DES EMBASE
 HEADER KODIERUNG VORDERANSICHT
 HEADER CODING FRONT VIEW

DETROMPAGES CIRCUITS IMPRIMES
 EMBASE 30 VOIES DROITES
 LEITERPLATTENKODIERUNG
 30 POLIG GERADE
 PRINTED CIRCUIT CODING
 HEADER 30 WAY STRAIGHT



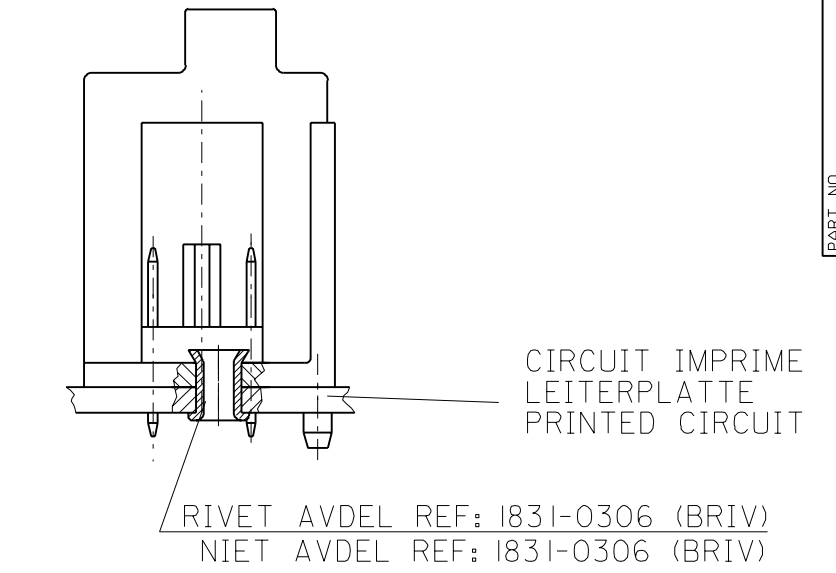
ANMERKUNG:

-UNIVERSALSTECKER OHNE STIFTKODIERUNG

NOTA:

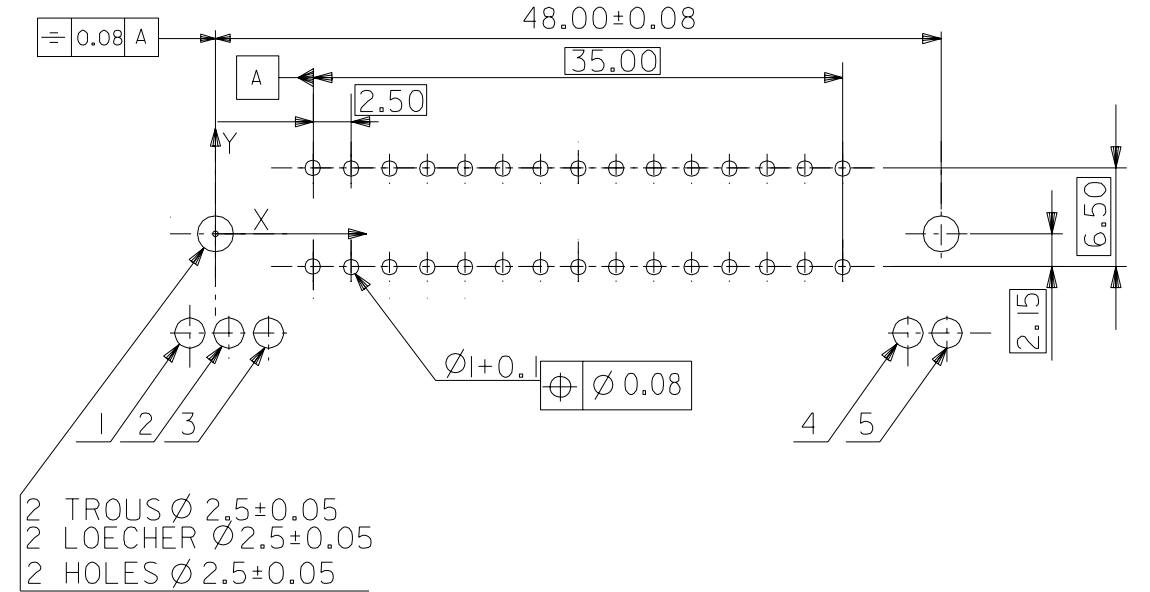
-CONNECTEUR UNIVERSEL SANS PION
 DETROMPAGE

RIVETAGE/NIETUNG/RIVITING



MATIERE RIVET: WERKSTOFF NIET: MATERIAL RIVET:
 LAITON BRUT MESSING BLANK BRASS BLANK

COTES DE PERCAGE DES CIRCUITS IMPRIMES
 LOCHBILD DER LEITERPLATTE
 P.C. BOARD LAYOUT



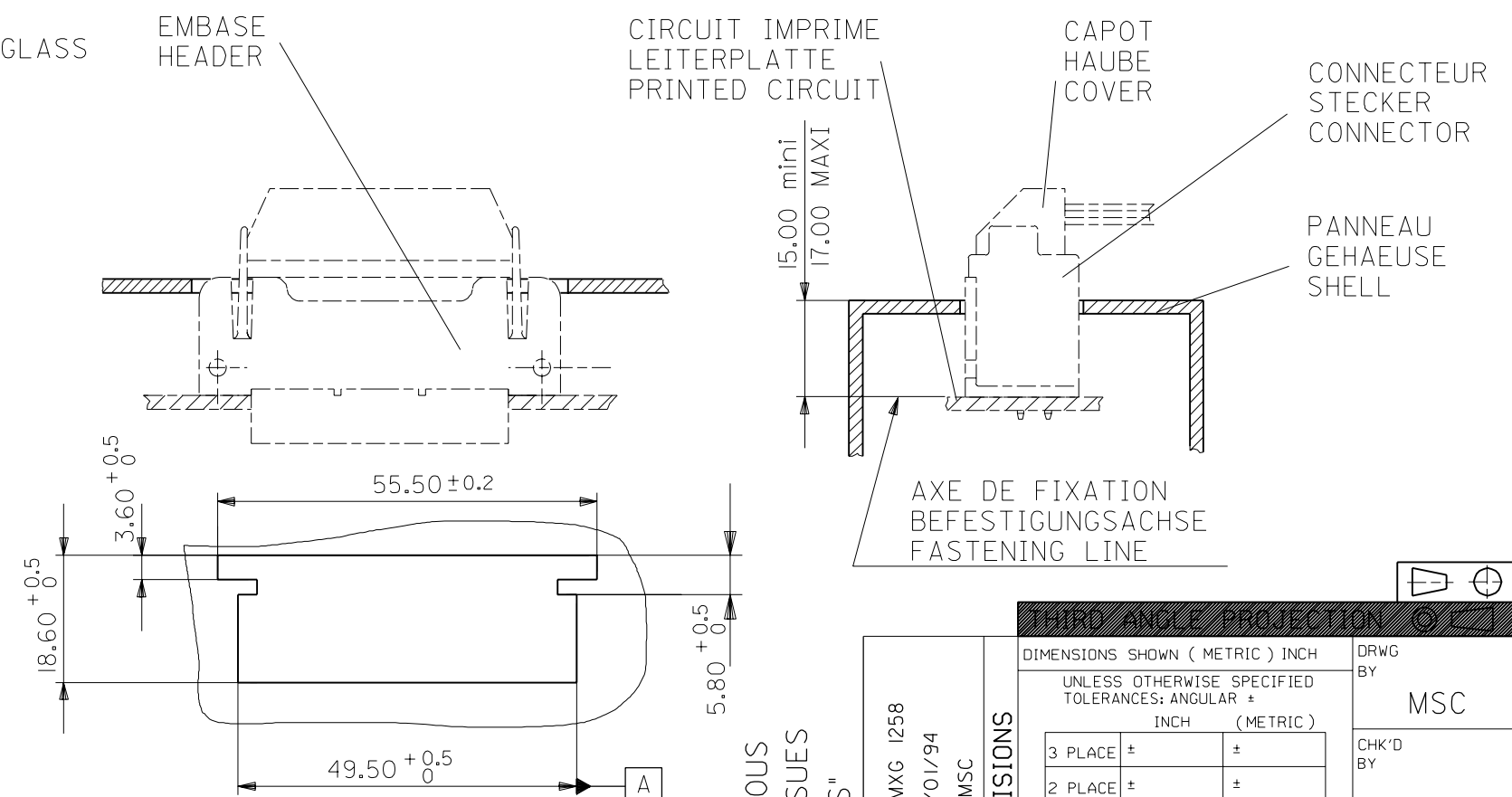
2 TROUS Ø 2,5±0,05
 2 LOECHER Ø 2,5±0,05
 2 HOLES Ø 2,5±0,05

COTES DE DETROMPAGES
 MASSE DER KODIERUNGEN
 CODING DIMENSIONS

UN SEUL TROU PAR C.I POUR L'EMBASE
 CORRESPONDANTE
 NUR EIN LOCH PRO KODIERUNG
 ONLY 1 HOLE PER CODING

N°	Ø	COTE SUR MASS/DIM X±0.08	COTE SUR MASS/DIM Y±0.08
1		-1,7	
2		+0,9	
3	2±0.05	+3,5	-6,55
4		+45,8	
5		+48,4	

DECOUPE DES PANNEAUX DE PROTECTION/GEHAUESSAUSSCHNITT/CUT-OUT IN THE PROTECTIVE SHELL

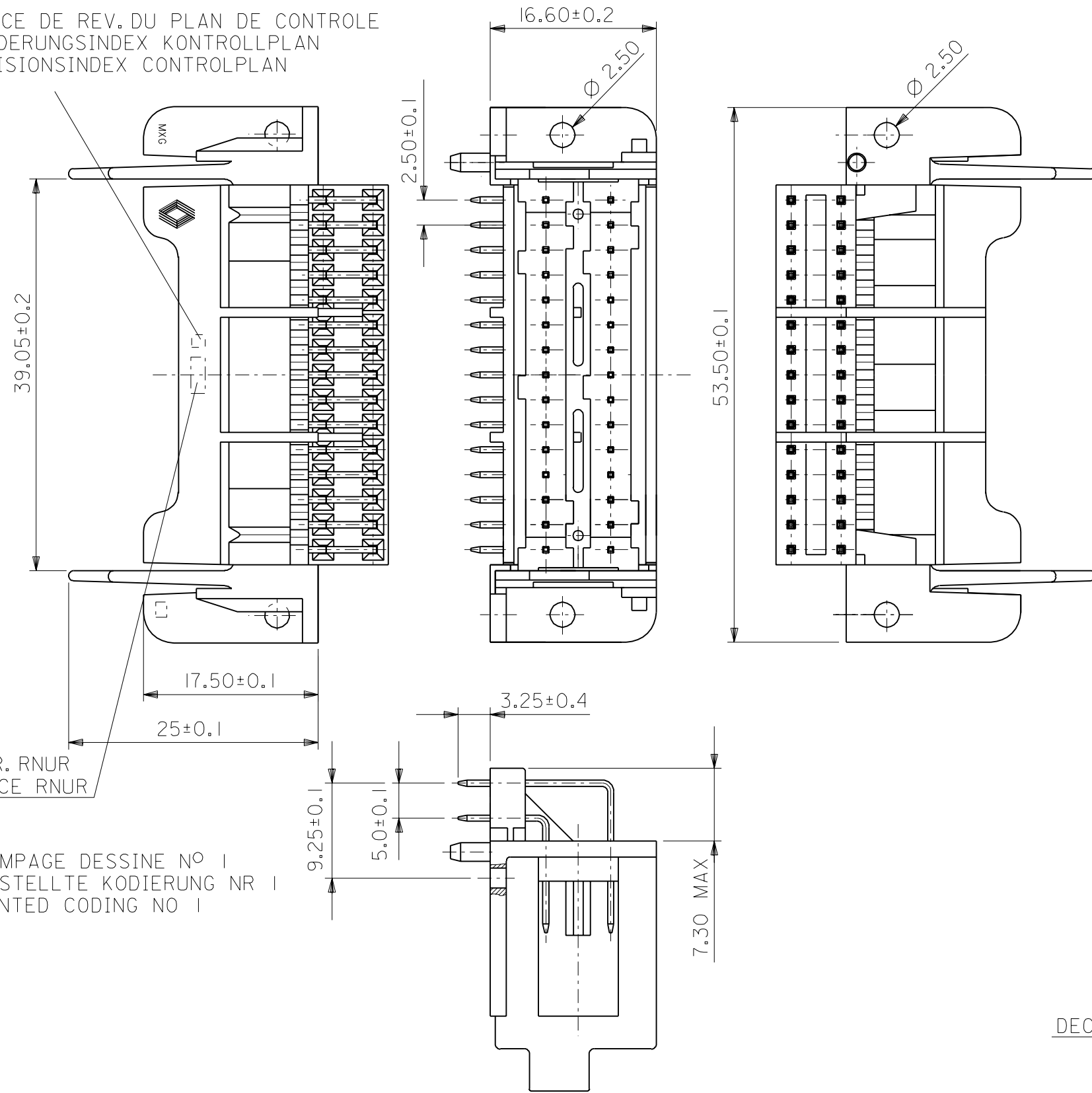


FOR PREVIOUS
 DRAWING ISSUES
 SEE "EDIS"

ECN MAX 1258 18/01/94 MSC	REVISIONS	DRWG BY MSC	THIRD ANGLE PROJECTION
DIMENSIONS SHOWN (METRIC) INCH UNLESS OTHERWISE SPECIFIED TOLERANCES: ANGULAR ±		CHK'D BY	REVISIONS
INCH (METRIC)		APP'D BY	SCALE
3 PLACE ±	±		2:1
2 PLACE ±	±		
1 PLACE ±	±		
DRAFT WHERE APPLICABLE MUST REMAIN WITHIN DIMENSIONS			
DESIGN DIMENSION	☒ (MM)		
(PRIMARY)	☐ IN.		
EQUIVALENT DIMENSION	☐ (MM)		
(SECONDARY)	☐ IN.		

REVISE ONLY ON CAD SYSTEM		SH.	REV.
CAD/CAM FILENAME SD98391I DGN	THIS DRAWING CONTAINS INFORMATION THAT IS PROPRIETARY TO MOLEX INC. & SHOULD NOT BE USED WITHOUT WRITTEN PERMISSION		
TITLE EMBASE 30 VOIES DROITES HEADER 30 POL GERADE HEADER 30 WAY STRAIGHT			
MOLEX EUROPE		SHEET NO.	DATE
PART NO. VOIR TABLEAU SIEHE TABELLE/SEE CHART		1 / 2	92 / 07 / 28
DWG NO. SD 98391		SIZE C	

INDICE DE REV. DU PLAN DE CONTROLE
AENDERUNGSINDEX KONTROLLPLAN
REVISIONSINDEX CONTROLPLAN



TEILE-NR. RNUR
REFERENCE RNUR

DETROMPAGE DESSINE N° 1
DARGESTELLTE KODIERUNG NR 1
PRESENTED CODING NO 1

MATIERES:
EMBASE: POLYESTER 30% CHARGE DE VERRE
CONTACT: CUPRO FER

WERKSTOFF:
HEADER: POLYESTER 30% GLASFASER
KONTAKT: KUPFER EISENLEGIERUNG

MATERIAL:
HEADER: POLYESTER 30% GLASS
CONTACT: COPPER IRON

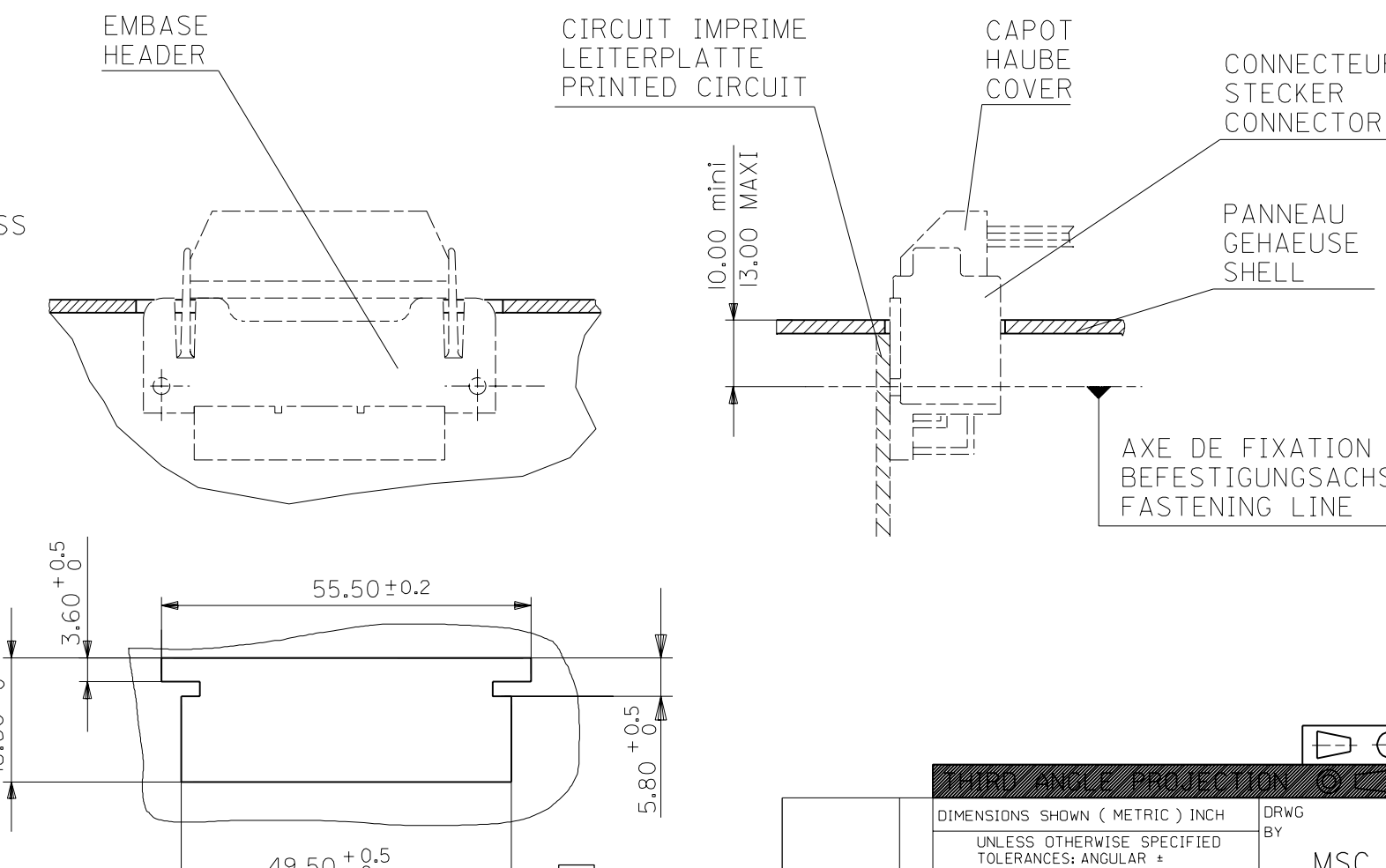
TEILE NR HEADER 30 POL. ABGEWINKELT/REFERENCE EMBASES 30 VOIES COUDEES/PN-HEADERS 30 WAY RIGHT ANGLE

KONTAKTOBERFLAECHE REVETEMENT CONTACTS PLATING	KODIERUNG DETROMPAGE INTERFACIAL CODING	TEILE NR RNUR REFERENCE RNUR	TEILE NR MOLEX REFERENCE MOLEX PN-MOLEX	FARBE/HEADER COULEUR/EMBASE COLOR
VERZINNT ETAME TINNED	1	770329 7070	98391-2211	BLAU/BLEU/BLUE
	2	770329 7071	98391-2212	ROT/ROUGE/RED
	3	770329 7072	98391-2213	GRUEN/VERT/GREEN
	4	770329 7073	98391-2214	GELB/JAUNE/YELLOW
	5	770329 7074	98391-2215	BRAUN/MARRON/BROWN
VERGOLDET DORE GOLDEN	1	770329 7075	98391-2221	BLAU/BLEU/BLUE
	2	770329 7076	98391-2222	ROT/ROUGE/RED
	3	770329 7077	98391-2223	GRUEN/VERT/GREEN
	4	770329 7078	98391-2224	GELB/JAUNE/YELLOW
	5	770329 7079	98391-2225	BRAUN/MARRON/BROWN

CONDITIONNEMENT
CARTON A11H (600x400x200)
300 PIECES/CARTON
CONDITIONNEMENT
RECUPERABLE

VERPACKUNG
KARTON A11H (600x400x200)
300 TEILE/KARTON
WIEDERVERWENDBARE
VERPACKUNG

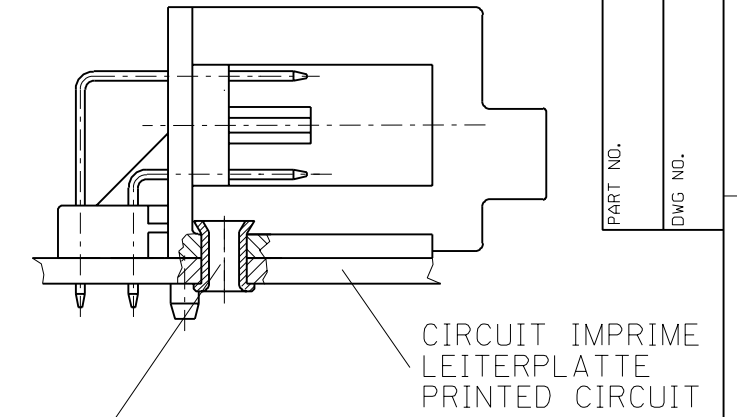
PACKAGING
CARTON A11H (600x400x200)
300 PIECES/CARTON
REFLOW PACKAGING



DETROMPAGES INTERFACIAUX VUE DE FACE DES EMBASE HEADER KODIERUNG VORDERANSICHT HEADER CODING FRONT VIEW	N°	DETROMPAGES CIRCUITS IMPRIMES EMBASE 30 VOIES COUDEES LEITERPLATTENKODIERUNG 30 POLIG ABGEWINKELT PRINTED CIRCUIT CODING HEADER 30 WAY RIGHT ANGLE
	1	
	2	
	3	
	4	
	5	

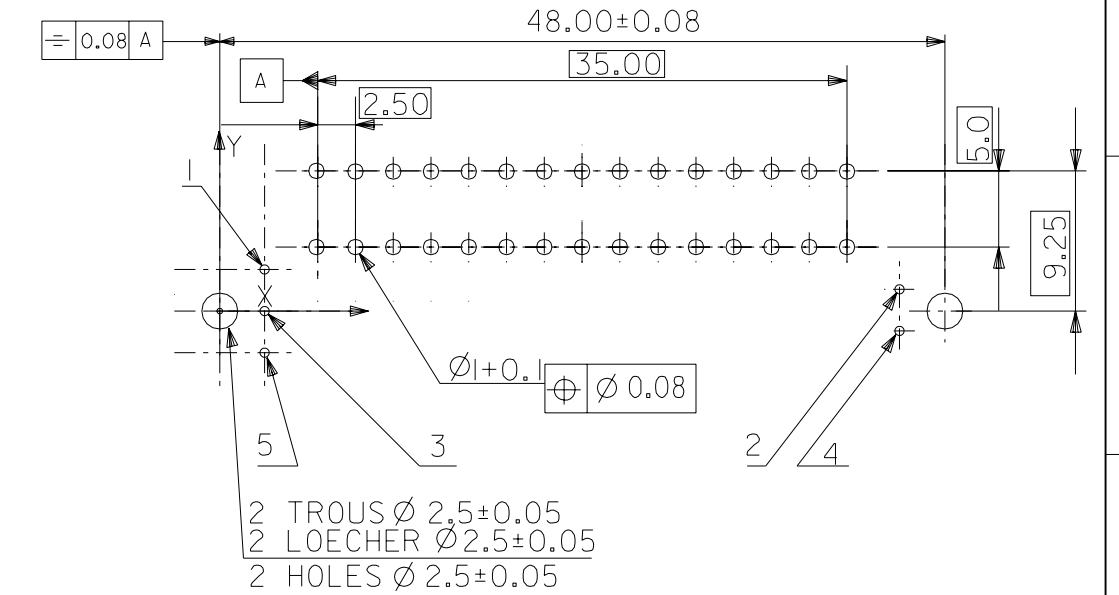
DECOUPE DES PANNEAUX DE PROTECTION/GEHAUESEAUSSCHNITT/CUT-OUT IN THE PROTECTIVE SHELL

RIVETAGE/NIETUNG/RIVITING



MATIERE RIVET: WERKSTOFF NIET: MATERIAL RIVET:
LAITON BRUT MESSING BLANK BRASS BLANK

COTES DE PERCAGE DES CIRCUITS IMPRIMES
LOCHBILD DER LEITERPLATTE
P.C. BOARD LAYOUT



COTES DE DETROMPAGES
MASSE DER KODIERUNGEN
CODING DIMENSIONS

UN SEUL TROU PAR C.I POUR L'EMBASE
CORRESPONDANTE
NUR EIN LOCH PRO KODIERUNG
ONLY 1 HOLE PER CODING

N°	Ø	COTE SUR MASS/DIM X±0.08	COTE SUR MASS/DIM Y±0.08
1	2±0.05	+3	+2.75
2		+45	+1.43
3		+3	0
4		+45	-1.32
5		+3	-2.75

FOR PREVIOUS
DRAWING ISSUES
SEE "EDIS"

THIRD ANGLE PROJECTION

REVISIONS: ECN 92/12/04 MSC, A LTR

DRWG BY: MSC, CHK'D BY: MSC, APP'D BY: MSC, SCALE: 2:1

REVISIONS TABLE:

PLACEMENT	DESIGN DIMENSION (PRIMARY)	EQUIVALENT DIMENSION (SECONDARY)
3 PLACE	±	±
2 PLACE	±	±
1 PLACE	±	±

REVISIONS CHECKLIST:

DESIGN DIMENSION (PRIMARY) (MM) IN.

EQUIVALENT DIMENSION (SECONDARY) (MM) IN.

REVISIONS: 3 PLACE ± ±, 2 PLACE ± ±, 1 PLACE ± ±

REVISIONS: DRAFT WHERE APPLICABLE MUST REMAIN WITHIN DIMENSIONS

REVISIONS: DESIGN DIMENSION (PRIMARY) (MM) IN., EQUIVALENT DIMENSION (SECONDARY) (MM) IN.

REVISIONS: DRWG BY: MSC, CHK'D BY: MSC, APP'D BY: MSC, SCALE: 2:1

REVISIONS: CAD/CAM FILENAME: SD983912 DGN, THIS DRAWING CONTAINS INFORMATION THAT IS PROPRIETARY TO MOLEX INC. & SHOULD NOT BE USED WITHOUT WRITTEN PERMISSION

REVISIONS: TITLE: EMBASE 30 VOIES COUDEES, HEADER 30 POL AGEW., HEADER 30 WAY RIGHT ANGLE

REVISIONS: MOLEX EUROPE, SHEET NO. DATE: 2/2 92/07/24

REVISIONS: PART NO. VOIR TABLEAU, DWG NO. SD 98391, SIZE C