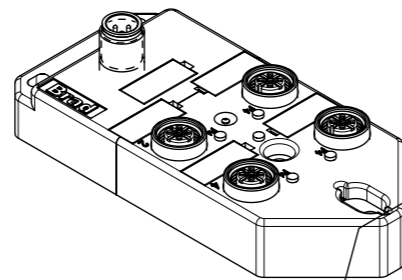
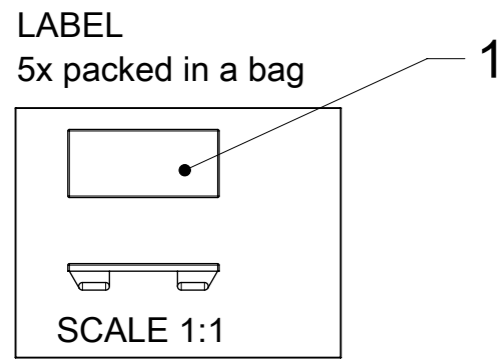
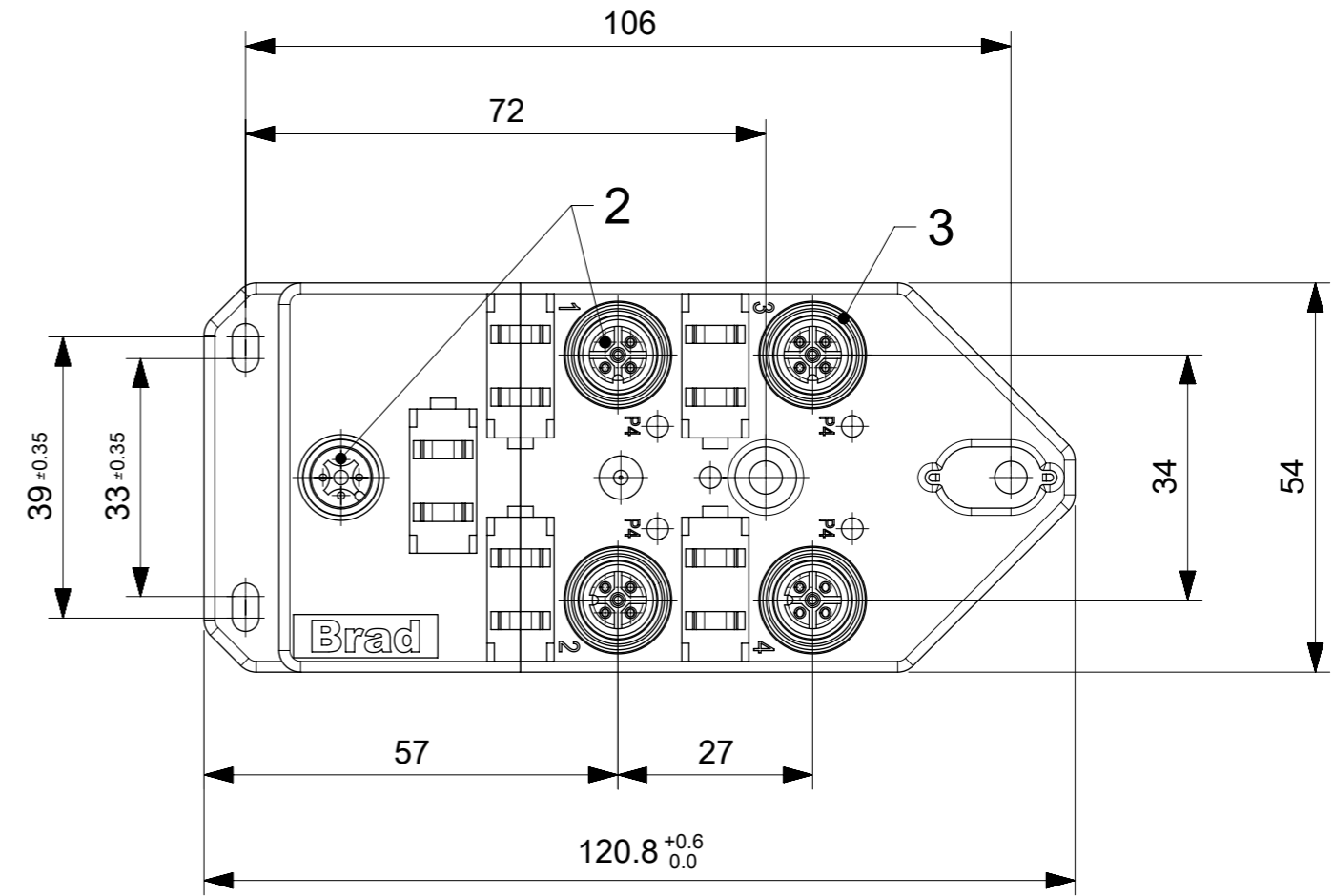


TABLE 1

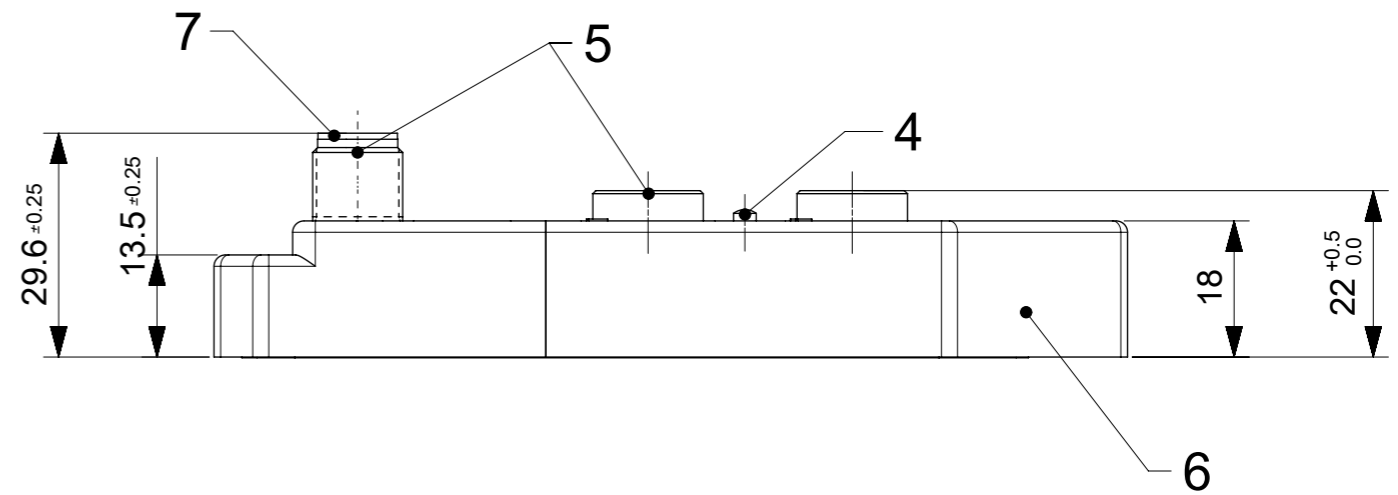
MOLEX P/N	ENG. NO.
1202480520	BTR4300-FBF

TABLE 2 BILL OF MATERIAL

ITEM	DESCRIPTION	MATERIAL	FINISH
1	LABEL	ABS	WHITE
2	CONTACT	BRASS	GOLD OVER NICKEL
3	O-RING	FPM	RED
4	LED	PA	RED
5	SHELL	BRASS	NICKEL PLATED
6	HOUSING	PBT	RED
7	INSERT	PUR	BK



PRE-RELEASE
REFERENCE
USE ONLY



GENERAL CHARACTERISTICS: SCALE 1:2

ELECTRICAL AND MECHANICAL DATA ACC. TO IEC 61076-2-101

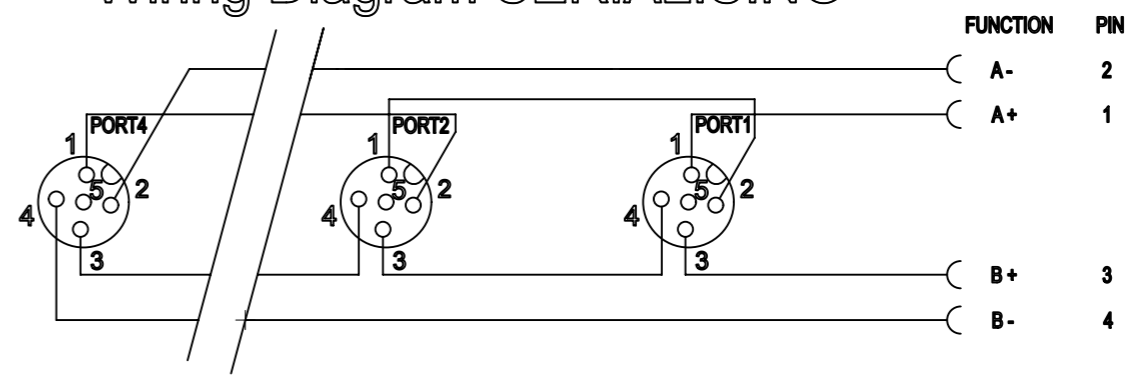
NOMINAL VOLTAGE: 10-30 V DC
 AMPERE RATING: 4 A PER PORT / 12 A MAX
 AMPERE RATING WITH UL REGISTRATION: 3 A PER PORT / 9 A MAX
 IP DEGREE OF PROTECTION: IP 67
 TEMPERATURE RANGE: -25°C to + 85°C

THIS DRAWING CONTAINS INFORMATION THAT IS PROPRIETARY TO MOLEX INCORPORATED AND SHOULD NOT BE USED WITHOUT WRITTEN PERMISSION											
EC DESCRIPTION		QUALITY SYMBOLS		GENERAL TOLERANCES (UNLESS SPECIFIED)		DIMENSION UNITS		SCALE			
EC NO: 103597		= 0 = 0 = 0 = 0 = 0 = 0 = 0 = 0 = 0		ANGULAR TOL ± ° 4 PLACES ± 3 PLACES ± 2 PLACES ± 1 PLACE ± 0 PLACES ± 0.25		mm		1:1			
DRWN: SMORADICHARG 2016/03/17		CHK'D: RSILLER 2016/03/18		DRAFT WHERE APPLICABLE MUST REMAIN WITHIN DIMENSIONS		DRWN BY		DATE		MPIS M12 SAFETY NOS 5P 4PT AC FE 4P MA AC RD STA SINGLE	
APPR: RSILLER 2016/03/18		REV		A3		UULETTENMEIER		2015/04/28			
A1		REV		DRAFT WHERE APPLICABLE MUST REMAIN WITHIN DIMENSIONS		CHK'D BY		DATE		PRODUCT CUSTOMER DRAWING	
A1		REV		DRAFT WHERE APPLICABLE MUST REMAIN WITHIN DIMENSIONS		APPR BY		DATE			
A1		REV		DRAFT WHERE APPLICABLE MUST REMAIN WITHIN DIMENSIONS		RSILLER		2015/12/23		SERIES: 120248 MATERIAL NUMBER: SEE TABLE 1 CUSTOMER: GENERAL MARKET	
A1		REV		DRAFT WHERE APPLICABLE MUST REMAIN WITHIN DIMENSIONS		DRAWING SIZE		THIRD ANGLE PROJECTION		DOCUMENT NUMBER: 1202480520 DOC TYPE: PSD DOC PART: 000 SHEET NUMBER: 1 OF 2	

E

E

Wiring Diagram SERIALISING



D

D

C

C

B

B

A

A

THIS DRAWING CONTAINS INFORMATION THAT IS PROPRIETARY TO MOLEX INCORPORATED AND SHOULD NOT BE USED WITHOUT WRITTEN PERMISSION

EC DESCRIPTION EC NO: 103597 DRWN: SMORADICHARG 2016/03/17 CHK'D: RSILLER 2016/03/18 APPR: RSILLER 2016/03/18	QUALITY SYMBOLS	GENERAL TOLERANCES (UNLESS SPECIFIED)	DIMENSION UNITS	SCALE					
	▽ = 0 ▽ = 0 ▽ = 0 ▼ = 0 ▽ = 0 ☒ = 0 ■ = 0 ▽ = 0	ANGULAR TOL ± ° 4 PLACES ± 3 PLACES ± 2 PLACES ± 1 PLACE ± 0 PLACES ± 0.25 DRAFT WHERE APPLICABLE MUST REMAIN WITHIN DIMENSIONS	mm DRWN BY: ULETTENMEIER DATE: 2015/04/28 CHK'D BY: DATE: APPR BY: RSILLER DATE: 2015/12/23 DRAWING SIZE: A3 THIRD ANGLE PROJECTION	1:1 DATE: 2015/04/28 DATE: DATE: 2015/12/23 THIRD ANGLE PROJECTION					MPIS M12 SAFETY NOS 5P 4PT AC FE 4P MA AC RD STA SINGLE
	PRODUCT CUSTOMER DRAWING					SERIES	MATERIAL NUMBER	CUSTOMER	
						120248	SEE TABLE 1	GENERAL MARKET	
	A1					DOCUMENT NUMBER		DOC TYPE	DOC PART
					1202480520		PSD	000	2 OF 2