

6

5

4

3

2

1

E

E

D

D

C

C

B

B

A

A

FACE VIEW-FEMALE INSERT

NOTES:

- 1. MATERIAL: SEE TABLE
- 2. FINISH: SEE TABLE
- 3. ELECTRICAL:
 - VOLTAGE: 2P THRU 6P 600V PER UL 2238
 - 3P 500V PER IEC60664
 - 4P 483V PER IEC60664
 - 5 & 6P 400V PER IEC60664
- 4. TEMP RATING: -20°TO +105°C
- 5. PROTECTION: IP67 (WHEN MATED)
- 6. UL RECOGNIZED, FILE E152210
- 7. ALL DIMS ARE FOR REFERENCE UNLESS NOTED OTHERWISE

(A1) CABLE LENGTH TOLERANCES

>.3M [1FT]:	+19mm-0 [+.75in-0]
.3 - .9M [1 - 3FT]:	+44.5mm-0 [+1.75in-0]
.9 - 1.8M [3 - 6FT]:	+55.6mm-0 [+2.19in-0]
1.8 - 3.7M [6 - 12FT]:	+88.9mm-0 [+3.50in-0]
3.7 - 7.3M [12 - 24FT]:	+165.1mm-0 [+6.50in-0]
7.3-14.6M [24 - 48FT]:	+317.5mm-0 [+12.50in-0]
14.6 - 30.5M [48-100FT]:	+622.3mm-0 [+24.50in-0]
OVER 30M [100FT]	+2% OF FINISHED LENGTH

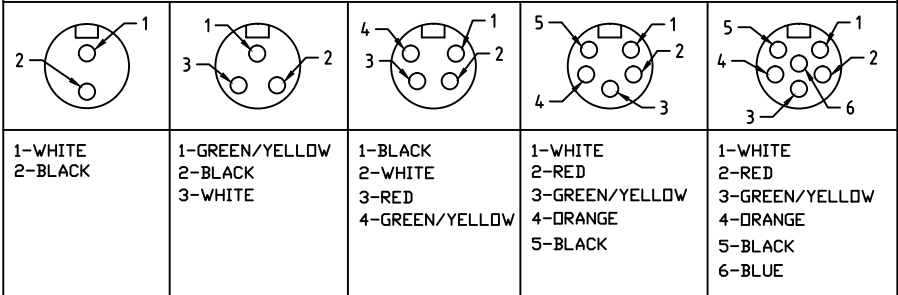
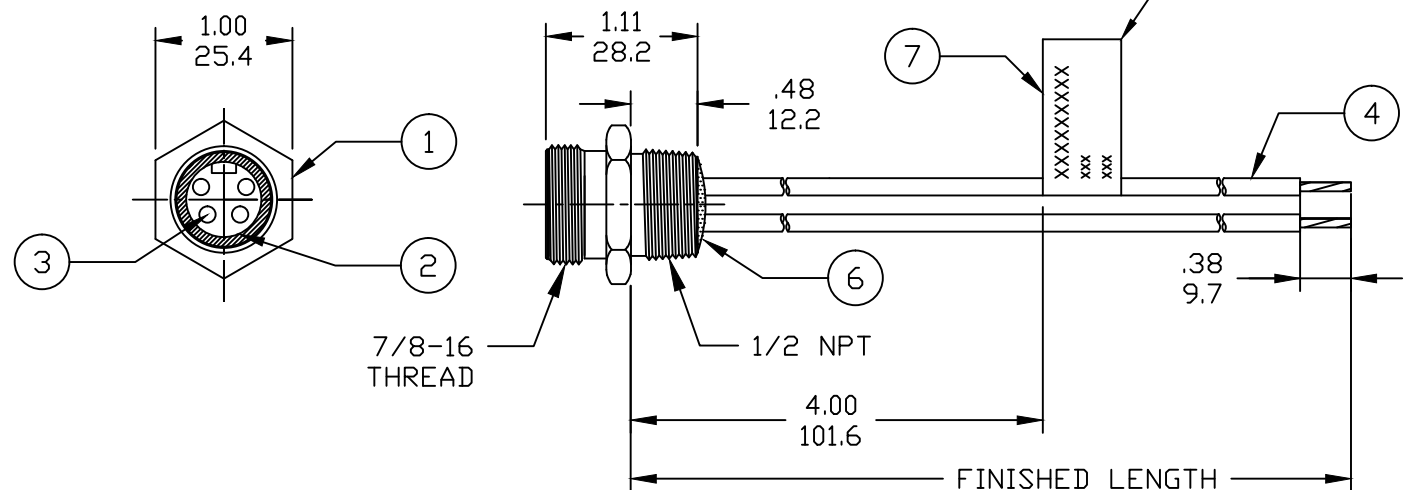
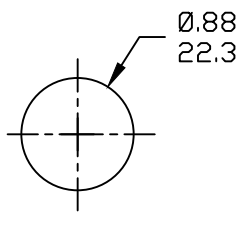


CHART (A1)

PART NO.	ENGINEERING NO.	FINISHED LENGTH
1300130582	1R6004A20F120	12IN
1300131164	1R5004A20M010	1.0M
1300130328	1R4004A20F080	8.0FT



PART NUMBER LEGEND

1R3004A20F020

POLES: 2-6
FINISHED LENGTH: A120= 12 IN, F020= 2 FEET, F100= 10 FEET

M005= 0.5 METER
M010= 1 METER
M100= 10 METER

TABLE

ITEM	DESCRIPTION	MATERIAL	FINISH
6	FLAG LABEL	VINYL	BLACK/YELLOW
5	POTTING MATERIAL	EPDXY	
4	WIRE, 16 AWG UL (1015)	PVC INSULATION	SEE CHART
3	CONTACT SOCKET	COPPER ALLOY	GOLD PLATED
2	FEMALE INSERT	PVC	YELLOW
1	RECEPTACLE SHELL	ZINC DIE-CAST	BLACK

REVID: EC/VOLTS, ADD: UL FILE, CHART & TOOLS	QUALITY SYMBOLS
EC NO: IPG2017-1018	▽=0
DRWN: RSTONE 5/1/17	▽C=0
CHKD: M ZIELIN 2017/05/08	
APPR: BWOODMAN	
REV	
A1	

GENERAL TOLERANCES (UNLESS SPECIFIED)	DIMENSION STYLE	
	mm	INCH
4 PLACES	±---	±---
3 PLACES	±---	±---
2 PLACES	±---	±---
1 PLACE	±---	±---
ANGULAR ±1/2°		
DRAFT WHERE APPLICABLE MUST REMAIN WITHIN DIMENSIONS		

DIMENSION STYLE: INCH/MM	SCALE: ---	DESIGN UNITS: INCH	THIRD ANGLE PROJECTION
DRAWN BY: RSTONE DATE: 2016/12/05	CHECKED BY: M ZIELIN DATE: 2016/12/12	TITLE: MINI-CHANGE RECEPTACLE 2-6P FEMALE #16-1 PVC WIRES	
APPROVED BY: --- DATE: ---		MOLEX MOLEX INCORPORATED	
MATERIAL NO.:	DOCUMENT NO.:	SHEET NO.:	
---	SD-130013-121	1 OF 1	
SIZE: A	THIS DRAWING CONTAINS INFORMATION THAT IS PROPRIETARY TO MOLEX INCORPORATED AND SHOULD NOT BE USED WITHOUT WRITTEN PERMISSION		

6

5

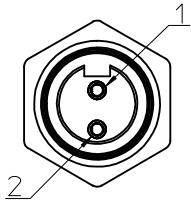
4

3

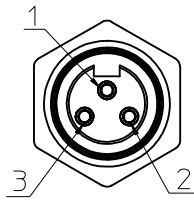
2

1

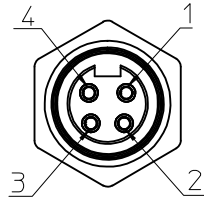
FACE VIEW - FEMALE INSERT SCALE 2 : 1



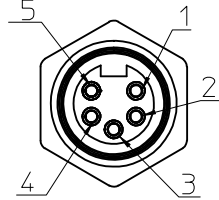
1 WHITE
2 BLACK



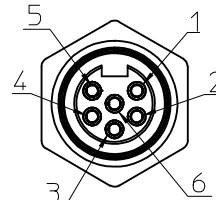
1 GREEN/YELLOW
2 BLACK
3 WHITE



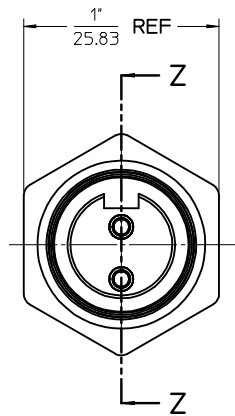
1 BLACK
2 WHITE
3 RED
4 GREEN/YELLOW



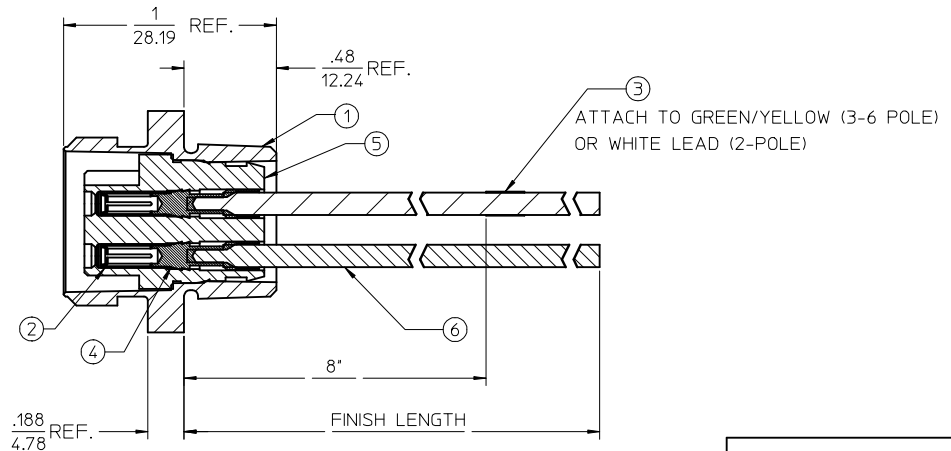
1 WHITE
2 RED
3 GREEN/YELLOW
4 ORANGE
5 BLACK



1 WHITE
2 RED
3 GREEN/YELLOW
4 ORANGE
5 BLACK
6 BLUE



FEMALE INSERT - FRONT VIEW



FINAL ASSEMBLY
1300130060 (SHOWN)

ENTER DESCRIPTION EC NO: MNA2010-0057 DRAWN BY: NKUMAR01 2009/07/13 CHKD: JFMURPHY APPR: JFMURPHY 2009/08/10 REV: A	DESCRIPTION DESCRIPTION	QUALITY SYMBOLS ▽=0 ▽=0	GENERAL TOLERANCES (UNLESS SPECIFIED)		DIMENSION STYLE SECTION Z-Z	SCALE 2:1	DESIGN UNITS INCH	THIRD ANGLE PROJECTION		
			4 PLACES ± --- ± --- 3 PLACES ± --- ± --- 2 PLACES ± --- ± --- 1 PLACE ± --- ± ---	mm INCH	DRAWN BY: NKUMAR01 DATE: 31/07/09 CHECKED BY: BWOODMAN DATE: 31/07/09 APPROVED BY: JFMURPHY DATE: 31/07/09	TITLE MC 2P FR 12IN 16/1 PVC				
			ANGULAR ±1/2°		MATERIAL NO. DOCUMENT NO.			MOLEX INCORPORATED		
			DRAFT WHERE APPLICABLE MUST REMAIN WITHIN DIMENSIONS		SEE SHEET 2			SD-130013-060		
THIS DRAWING CONTAINS INFORMATION THAT IS PROPRIETARY TO MOLEX INCORPORATED AND SHOULD NOT BE USED WITHOUT WRITTEN PERMISSION										

FEMALE RECEPTACLE ASSEMBLY

2 POLE	3 POLE	4 POLE	5 POLE	6 POLE
--------	--------	--------	--------	--------

Sl. No.	DESCRIPTION	MATERIAL	FINISH	QUANTITY				
1	RECEPTACLE SHELL	ZINC DIECAST	BLACK E-COAT	1	1	1	1	1
2	SOCKET SLEEVE - TUBE	STAINLESS STEEL	PASSIVATED	2	3	4	5	6
3	LABEL	PLASTIC FILM	BLACK/YELLOW	1	1	1	1	1
4	SOCKET CONTACT 16AWG	COPPER ALLOY	GOLD PLATED	2	3	4	5	6
5	2P FEM INSERT PVC A-SIZE	PVC	YELLOW	1				
	3P FEM INSERT PVC A-SIZE	PVC	YELLOW		1			
	4P FEM INSERT PVC A-SIZE	PVC	YELLOW			1		
	5P FEM INSERT PVC A-SIZE	PVC	YELLOW				1	
	6P FEM INSERT PVC A-SIZE	PVC	YELLOW					1
6	#16-1 BLK PVC WIRE UL1015	PVC JACKET	BLACK	1	1	1	1	1
	#16-1 BLU PVC WIRE UL1015	PVC JACKET	BLUE					1
	#16-1 GRN/YEL PVC WIRE UL1015	PVC JACKET	GREEN/YELLOW		1	1	1	1
	#16-1 ORN PVC WIRE UL1015	PVC JACKET	ORANGE				1	1
	#16-1 RED PVC WIRE UL1015	PVC JACKET	RED			1	1	1
	#16-1 WHT PVC WIRE UL1015	PVC JACKET	WHITE		1	1	1	1

POLE COUNT	MAX. VOLTAGE RATING	MAX. CURRENT RATING
2 POLE	600 VOLTS	13 AMPS
3 POLE	600 VOLTS	13 AMPS
4 POLE	600 VOLTS	10 AMPS
5 POLE	600 VOLTS	8 AMPS
6 POLE	600 VOLTS	8 AMPS

PART NUMBER	DESCRIPTION	FINISHED LENGTH
1300130060	1R2004A20A120	12.0" +.75" -0 [0.3M +19.1MM -0]
1300130067	1R2004A20F060	6.0' +2.19' -0 [1.8M +55.6MM -0]
1300130135	1R3004A20A120	12.0" +.75" -0 [0.3M +19.1MM -0]
1300130148	1R3004A20F060	6.0' +2.19' -0 [1.8M +55.6MM -0]
1300130314	1R4004A20A120	12.0" +.75" -0 [0.3M +19.1MM -0]
1300130325	1R4004A20F060	6.0' +2.19' -0 [1.8M +55.6MM -0]
1300130442	1R5004A20A120	12.0" +.75" -0 [0.3M +19.1MM -0]
1300130452	1R5004A20F060	6.0' +2.19' -0 [1.8M +55.6MM -0]
1300130567	1R6004A20A120	12.0" +.75" -0 [0.3M +19.1MM -0]
1300130576	1R6004A20F060	6.0' +2.19' -0 [1.8M +55.6MM -0]

ENTER DESCRIPTION EC NO: MNA2010-0057 DRWN: NKUMAR01 2009/07/31 CHKD: APPR: JFMURPHY 2009/08/10 REV: A	QUALITY SYMBOLS ▽=0 ▽=0	GENERAL TOLERANCES (UNLESS SPECIFIED) <table border="1" style="width: 100%; border-collapse: collapse;"> <tr> <td></td> <td>mm</td> <td>INCH</td> </tr> <tr> <td>4 PLACES</td> <td>± ---</td> <td>± ---</td> </tr> <tr> <td>3 PLACES</td> <td>± ---</td> <td>± ---</td> </tr> <tr> <td>2 PLACES</td> <td>± ---</td> <td>± ---</td> </tr> <tr> <td>1 PLACE</td> <td>± ---</td> <td>± ---</td> </tr> </table> ANGULAR ±1/2° DRAFT WHERE APPLICABLE MUST REMAIN WITHIN DIMENSIONS		mm	INCH	4 PLACES	± ---	± ---	3 PLACES	± ---	± ---	2 PLACES	± ---	± ---	1 PLACE	± ---	± ---	DIMENSION STYLE IN/MM DRAWN BY NKUMAR01 DATE 31/07/09 CHECKED BY BWOODMAN DATE 31/07/09 APPROVED BY JFMURPHY DATE 31/07/09	SCALE 2:1 TITLE MC 2P FR 12IN 16/1 PVC	DESIGN UNITS INCH THIRD ANGLE PROJECTION	MATERIAL NO. SEE CHART DOCUMENT NO. SD-130013-060 SHEET NO. 2 OF 2
	mm	INCH																			
4 PLACES	± ---	± ---																			
3 PLACES	± ---	± ---																			
2 PLACES	± ---	± ---																			
1 PLACE	± ---	± ---																			