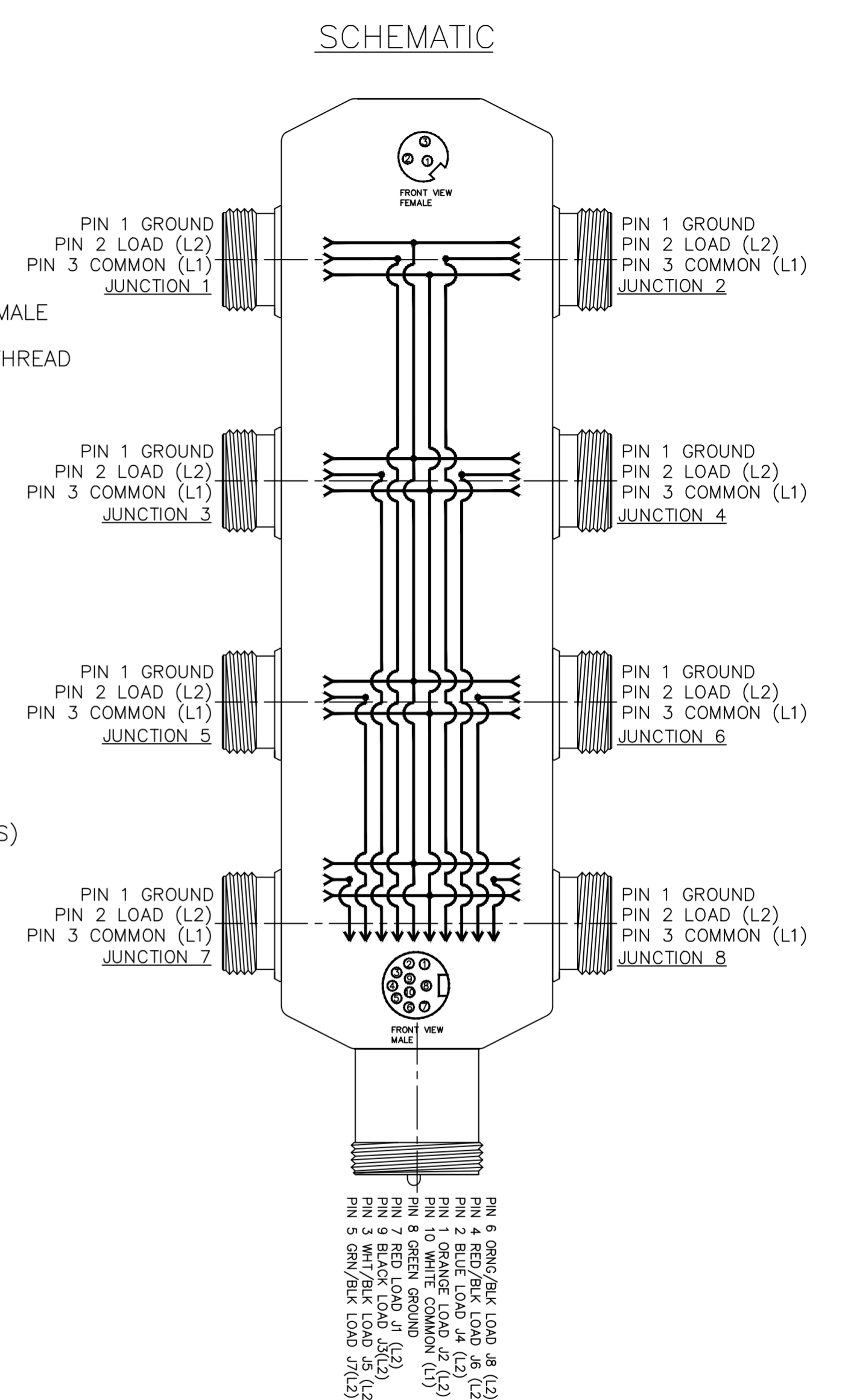
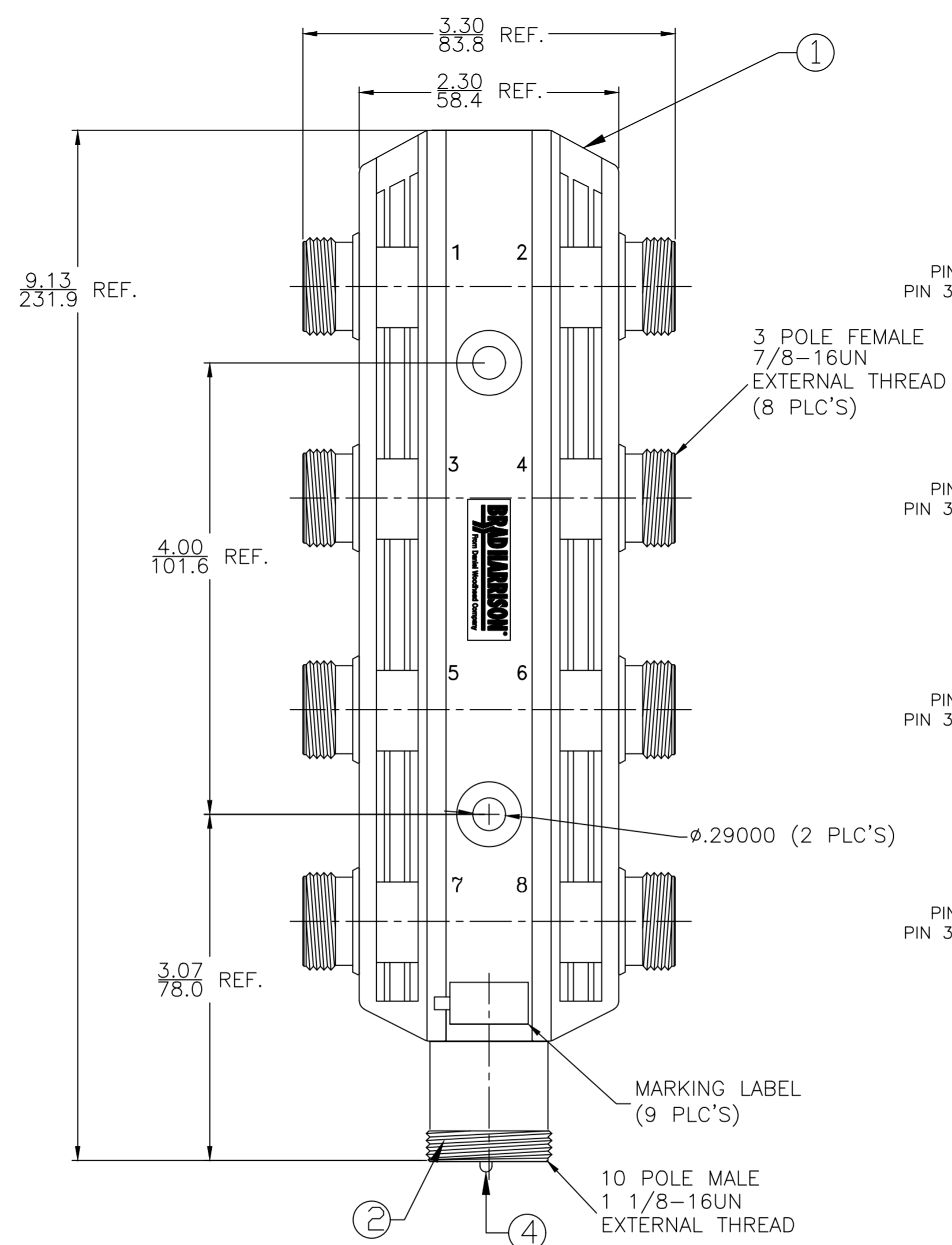
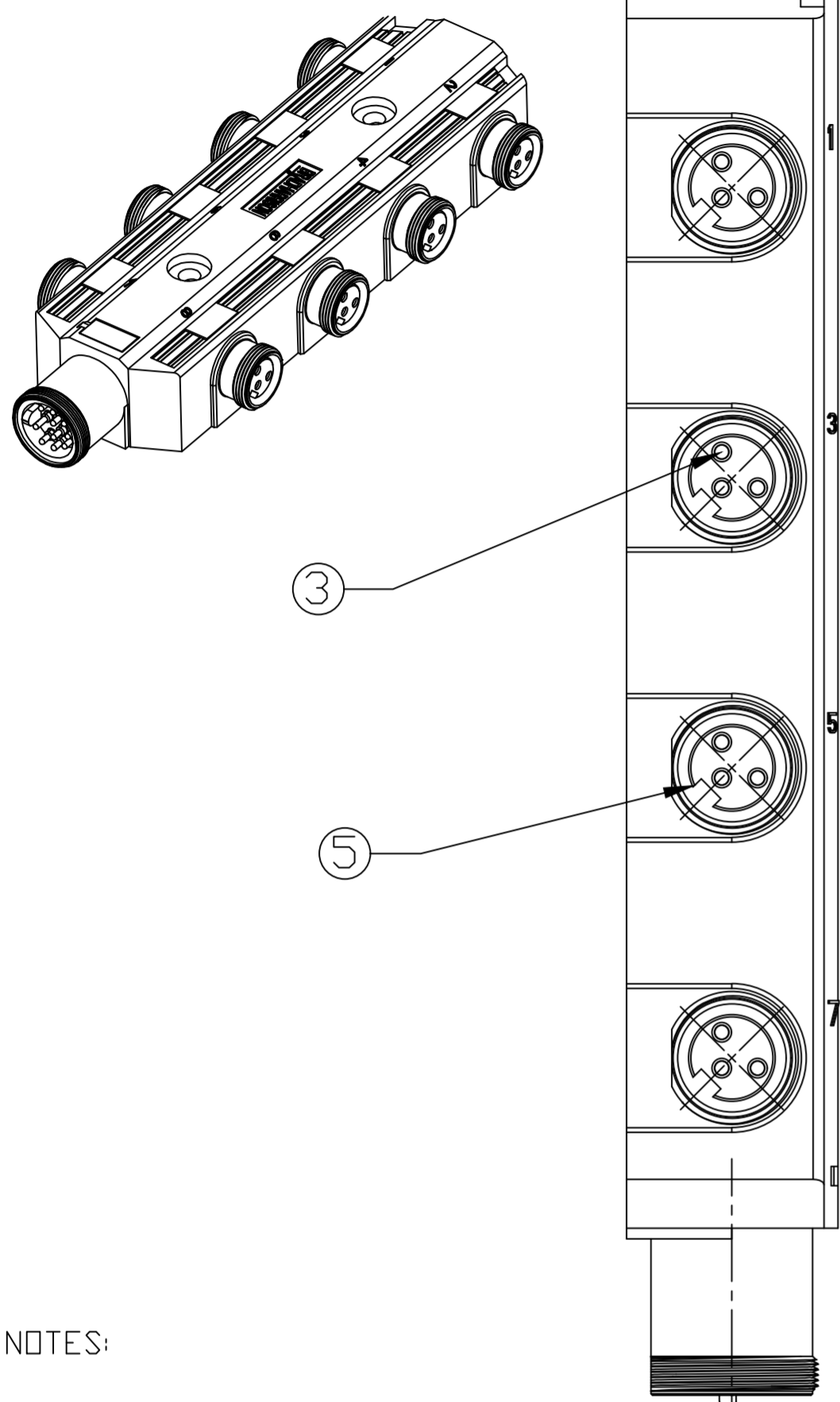


MATERIAL NUMBER	ENGINEERING NUMBER
1300600017	409P801



- NOTES:
- 1) MATERIAL: SEE TABLE
  - 2) FINISHES: SEE TABLE
  - 3) ELECTRICAL DATA:  
VOLTAGE: 600V AC/DC  
AMPERAGE: 7AMPS PER MPIS UNIT
  - 4) ENVIRONMENTAL:  
PROTECTION IP67  
OPERATING TEMPERATURE RANGE: -25C TO 90C
  - 5) LABEL IS MARKED WITH P/N, DATE CODE, AND SCHEMATIC
  - 6) CERTIFICATION:  
UL: UL RECOGNIZED  
CSA: CSA CERTIFIED

ITEM	DESCRIPTION	MATERIAL	FINISH
5	INSERT	PVC	YELLOW
4	PIN CONTACT	COPPER ALLOY	GOLD PLATED
3	SOCKET CONTACT	COPPER ALLOY	GOLD PLATED
2	RECEPTACLE SHELL	E-COATED ZINC ALLOY	BLACK
1	HOUSING	PBT	YELLOW

THIS DRAWING CONTAINS INFORMATION THAT IS PROPRIETARY TO MOLEX ELECTRONIC TECHNOLOGIES, LLC AND SHOULD NOT BE USED WITHOUT WRITTEN PERMISSION

FUNCTIONAL SYMBOLS: FA=0, FC=0, FE=0

DIMENSION UNITS: INCH/MM, SCALE: 1:1

GENERAL TOLERANCES (UNLESS SPECIFIED):

PLACES	mm	INCH
4 PLACES	±----	±----
3 PLACES	±----	±----
2 PLACES	±----	±----
1 PLACE	±----	±----
0 PLACES	±----	±----

ANGULAR TOL ± --- °

DRAFT WHERE APPLICABLE MUST REMAIN WITHIN DIMENSIONS

THIRD ANGLE PROJECTION

CURRENT REV DESC: CORRECT KEY ORIENTATION OF INSERT 5

EC NO: 726639  
DRWN: SAMB12  
CHK'D: RSTONE  
APPR: BWOODMAN

INITIAL REVISION:  
DRWN: TWOLDEGE  
APPR: JFMURPHY

2022/10/24  
2022/10/31  
2022/11/01

2010/01/22  
2010/01/29

DOCUMENT NUMBER: SD-130060-004  
DOC TYPE/DOC PART/REVISION: PSD 001 B

MATERIAL NUMBER: 1300600017  
CUSTOMER: GENERAL MARKET  
SHEET NUMBER: 1 OF 1