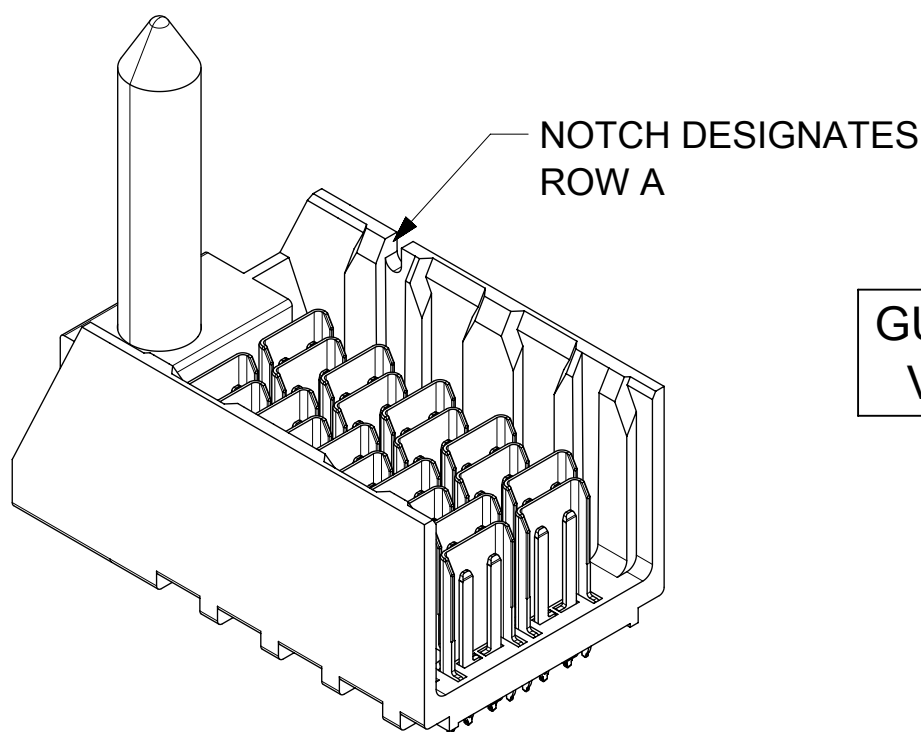
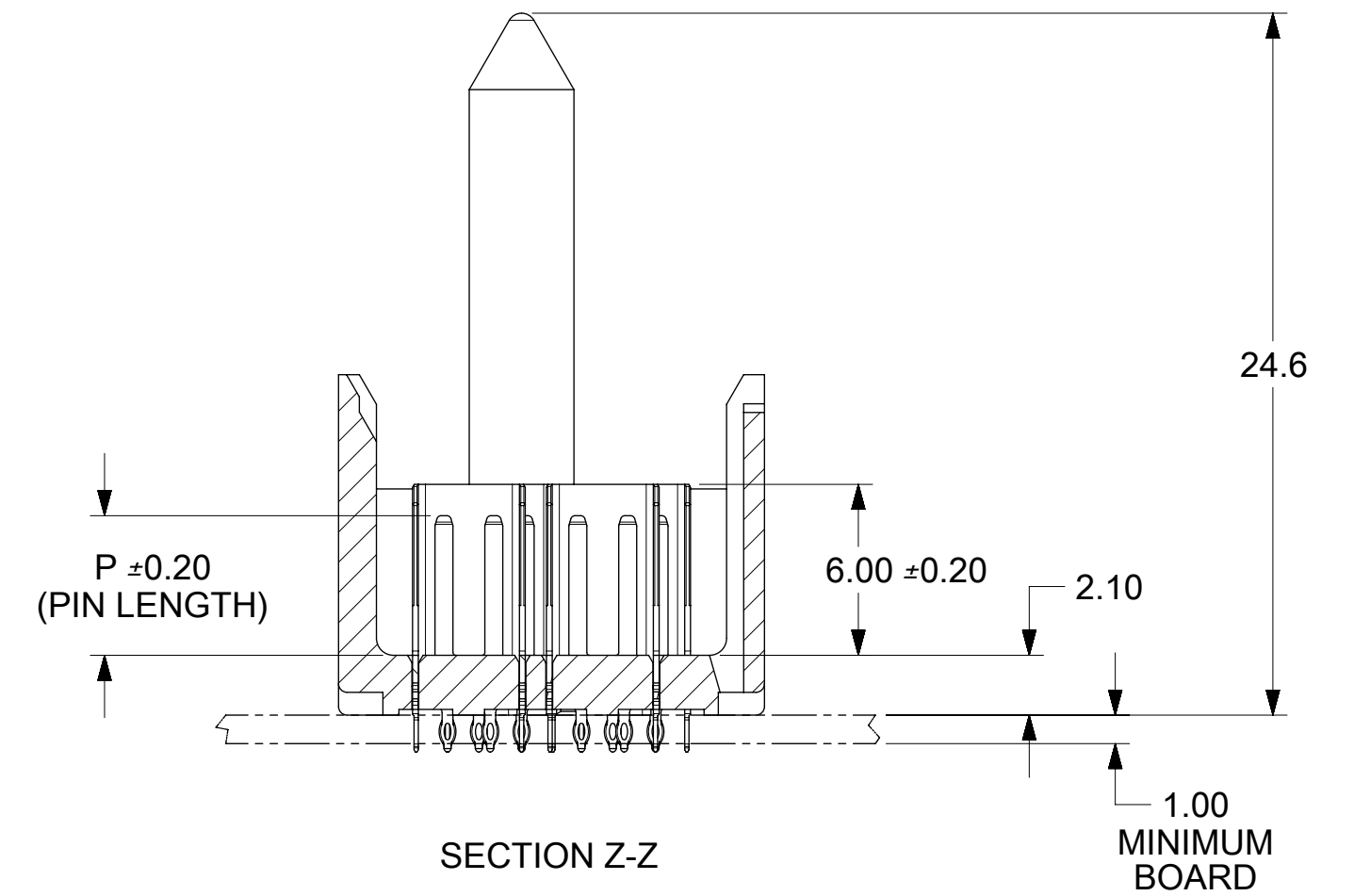
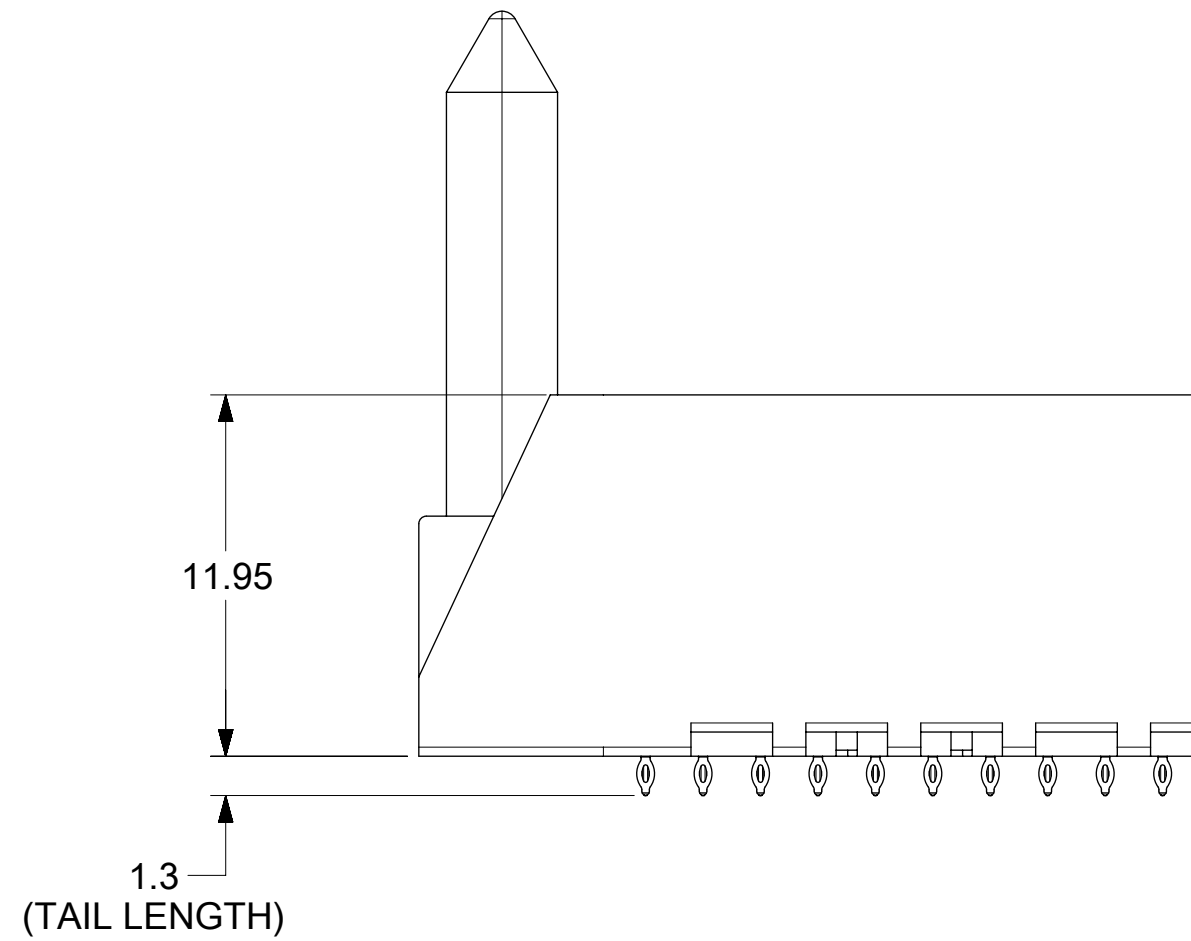


NOTES:

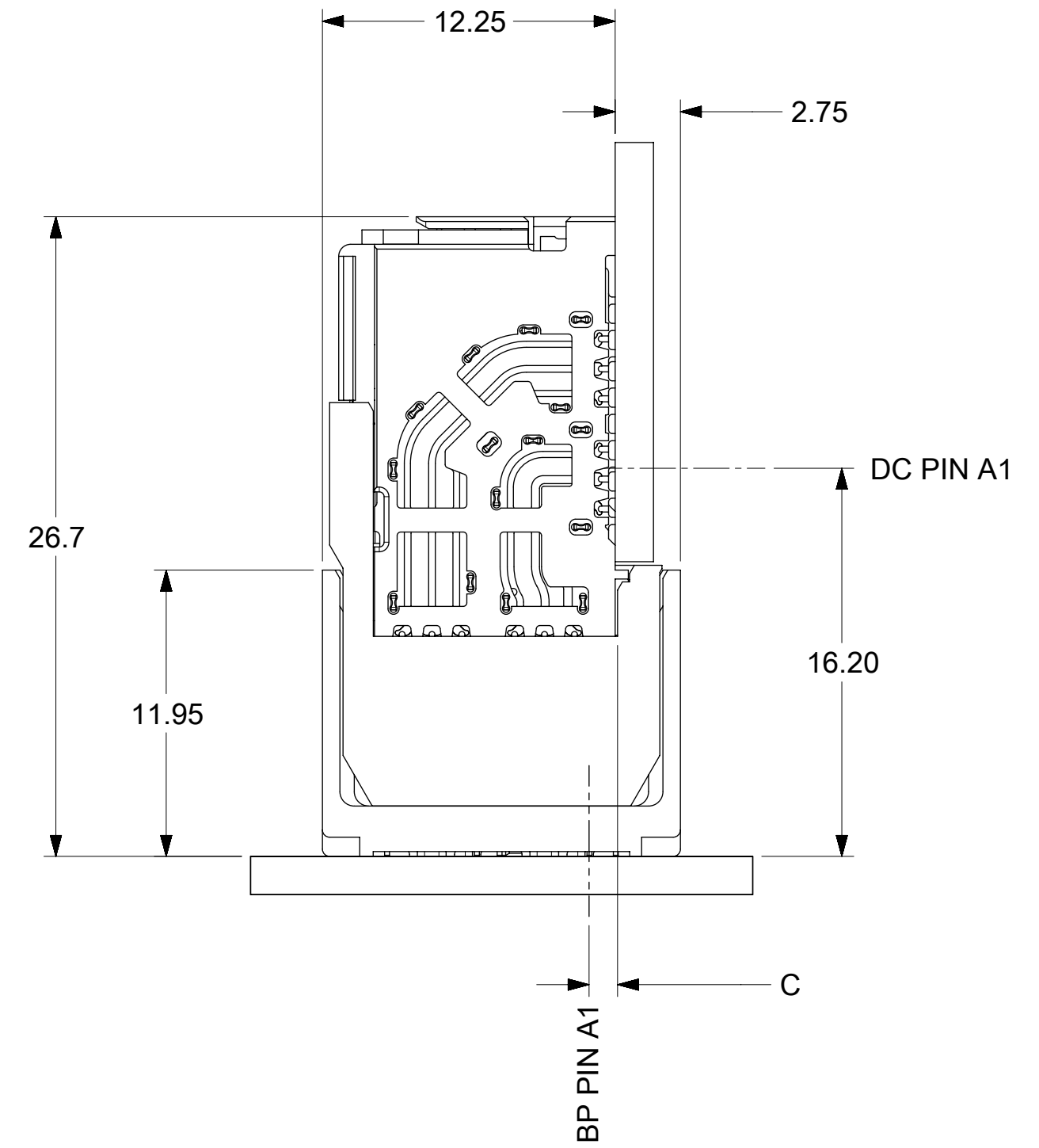
1. MATERIALS: HOUSING - LIQUID CRYSTAL POLYMER (LCP)
GLASS-FILLED, UL94V-0
TERMINALS - HIGH PERFORMANCE COPPER ALLOY
2. FINISH: 30uIN GOLD IN CONTACT AREA.
SELECTIVE TIN ON PCB TAILS.
NICKEL OVERALL.
3. REFER TO MOLEX PRODUCT SPECIFICATION PS-171320-999 FOR PERFORMANCE SPECIFICATIONS.
4. THIS PART CONFORMS TO CLASS B REQUIREMENTS OF MOLEX COSMETIC SPEC PS-45499-002.
5. PRODUCT WILL BE PACKAGED PER PK-78888-312.
6. SEE SHEETS 2, 3, 4, AND 5 FOR HOLE PATTERN AND MATED PART DIMENSIONS.
7. MATES WITH IMPEL DC SERIES NUMBER 171750.
8. REFER TO IMPEL PCB ROUTING GUIDE AS-171320-990 FOR ANTIPAD, ROUTING RECOMMENDATIONS, AND ADDITIONAL PCB INFORMATION.
9. WHEN STACKING MODULES END TO END, THE MINIMUM COLUMN TO COLUMN SPACING IS 2.65mm.
10. THE KEEP-OUT ZONE FOR THE BP HOUSING LENGTH INCLUDES THE NECESSARY SPACE REQUIRED FOR THE MATING DAUGHTERCARD HOUSING.
11. PART IS SUPPLIED WITH ONE 2-56 UNC-2A SCREW.



GUIDE LEFT
VERSION

THIS DRAWING CONTAINS INFORMATION THAT IS PROPRIETARY TO MOLEX ELECTRONIC TECHNOLOGIES, LLC AND SHOULD NOT BE USED WITHOUT WRITTEN PERMISSION															
MIGRATED TO NX EC NO: 177983 DRWN: NSRVATSAHS CHKD: DWLEED01 REV / APPR: DWLEED01	GENERAL TOLERANCES (UNLESS SPECIFIED)						DIMENSION UNITS		SCALE		molex				
	ANGULAR TOL ± 0.5 °						MM		4:1						
	4 PLACES ±						DRWN BY		DATE		IMPEL 2 PAIR BACKPLANE GUIDE LEFT ASSEMBLY SALES DRAWING				
	3 PLACES ±						BJANOWIAK		2012/12/06						
	2 PLACES ± 0.13						CHKD BY		DATE						
	1 PLACE ± 0.25						CYLIAW								
	0 PLACES ±						APPR BY		DATE						
	DRAFT WHERE APPLICABLE MUST REMAIN WITHIN DIMENSIONS						JBINGHAM		2014/12/29		PRODUCT CUSTOMER DRAWING				
	DRAWING SIZE						THIRD ANGLE PROJECTION		SERIES		MATERIAL NUMBER		CUSTOMER		
	C								171745		SEE CHART		GENERAL MARKET		
A2						REV		DOCUMENT NUMBER		DOC TYPE		DOC PART		SHEET NUMBER	
								SD-171745-0002		PSD		001		1 OF 5	

MATERIAL NUMBER	NUMBER OF COLUMNS	NUMBER OF DIFF PAIR	DIM "A"	DIM "B"	DIM "C"	DIM "P"	PTH ϕ
171745-3804	8	16	21.90	13.30	1.10	4.90	0.46±0.05
171745-3805	8	16	21.90	13.30	1.10	5.50	0.46±0.05
171745-3807	8	16	21.90	13.30	1.20	4.90	0.36±0.05
171745-3808	8	16	21.90	13.30	1.20	5.50	0.36±0.05
171745-3104	10	20	25.70	17.10	1.10	4.90	0.46±0.05
171745-3105	10	20	25.70	17.10	1.10	5.50	0.46±0.05
171745-3107	10	20	25.70	17.10	1.20	4.90	0.36±0.05
171745-3108	10	20	25.70	17.10	1.20	5.50	0.36±0.05
171745-3204	12	24	29.50	20.90	1.10	4.90	0.46±0.05
171745-3205	12	24	29.50	20.90	1.10	5.50	0.46±0.05
171745-3207	12	24	29.50	20.90	1.20	4.90	0.36±0.05
171745-3208	12	24	29.50	20.90	1.20	5.50	0.36±0.05
171745-3604	16	32	37.10	28.50	1.10	4.90	0.46±0.05
171745-3605	16	32	37.10	28.50	1.10	5.50	0.46±0.05
171745-3607	16	32	37.10	28.50	1.20	4.90	0.36±0.05
171745-3608	16	32	37.10	28.50	1.20	5.50	0.36±0.05



MATED PART DIMENSIONS

171745 - * * 0 *

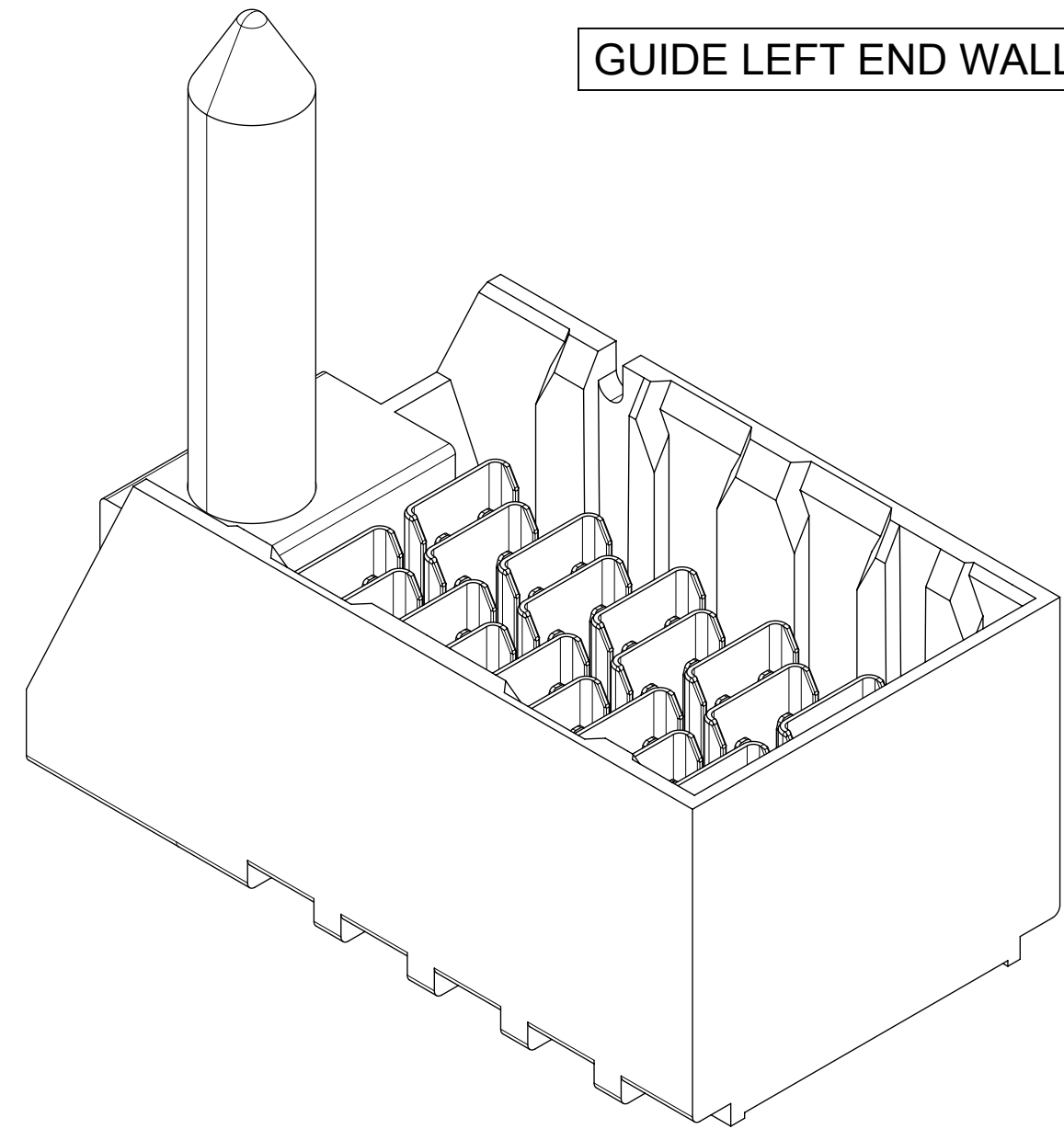
MODULE TYPE
 3 = GUIDE LEFT
 7 = GUIDE LEFT END WALL

PIN LENGTH (P)
 4 = 4.90 (0.46 PTH)
 5 = 5.50 (0.46 PTH)
 7 = 4.90 (0.36 PTH)
 8 = 5.50 (0.36 PTH)

OF COLUMNS
 8 = 8 COL
 1 = 10 COL
 2 = 12 COL
 6 = 16 COL

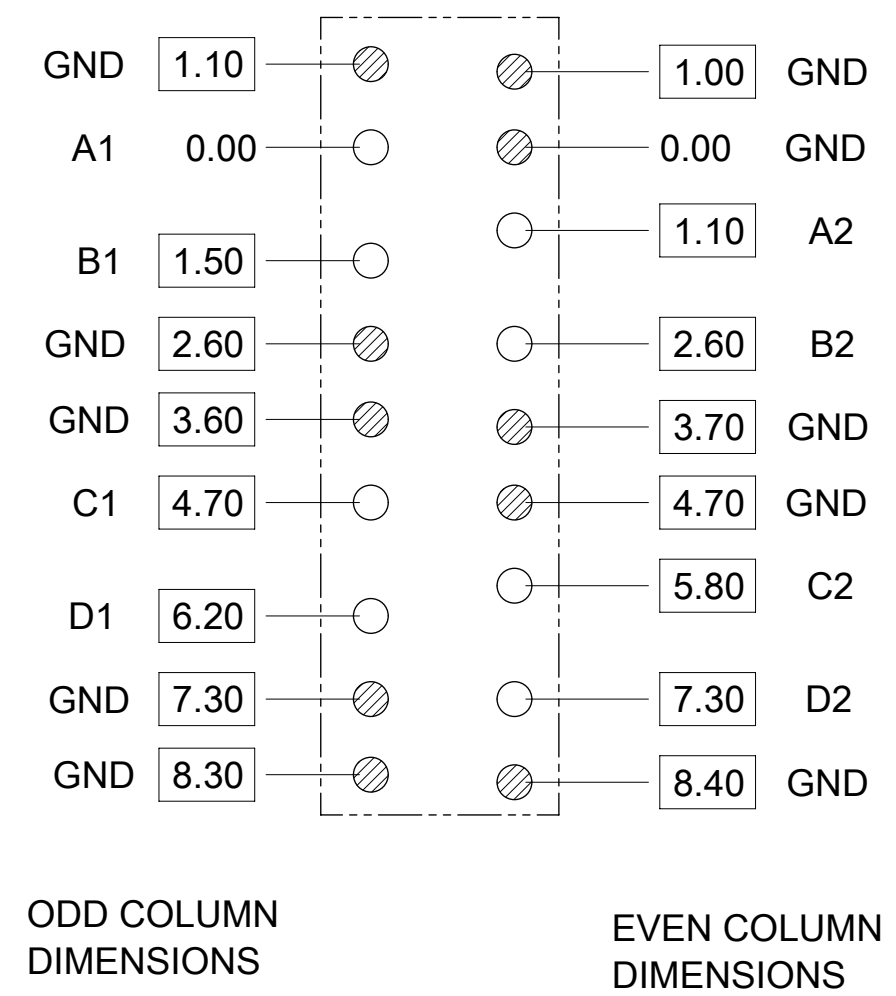
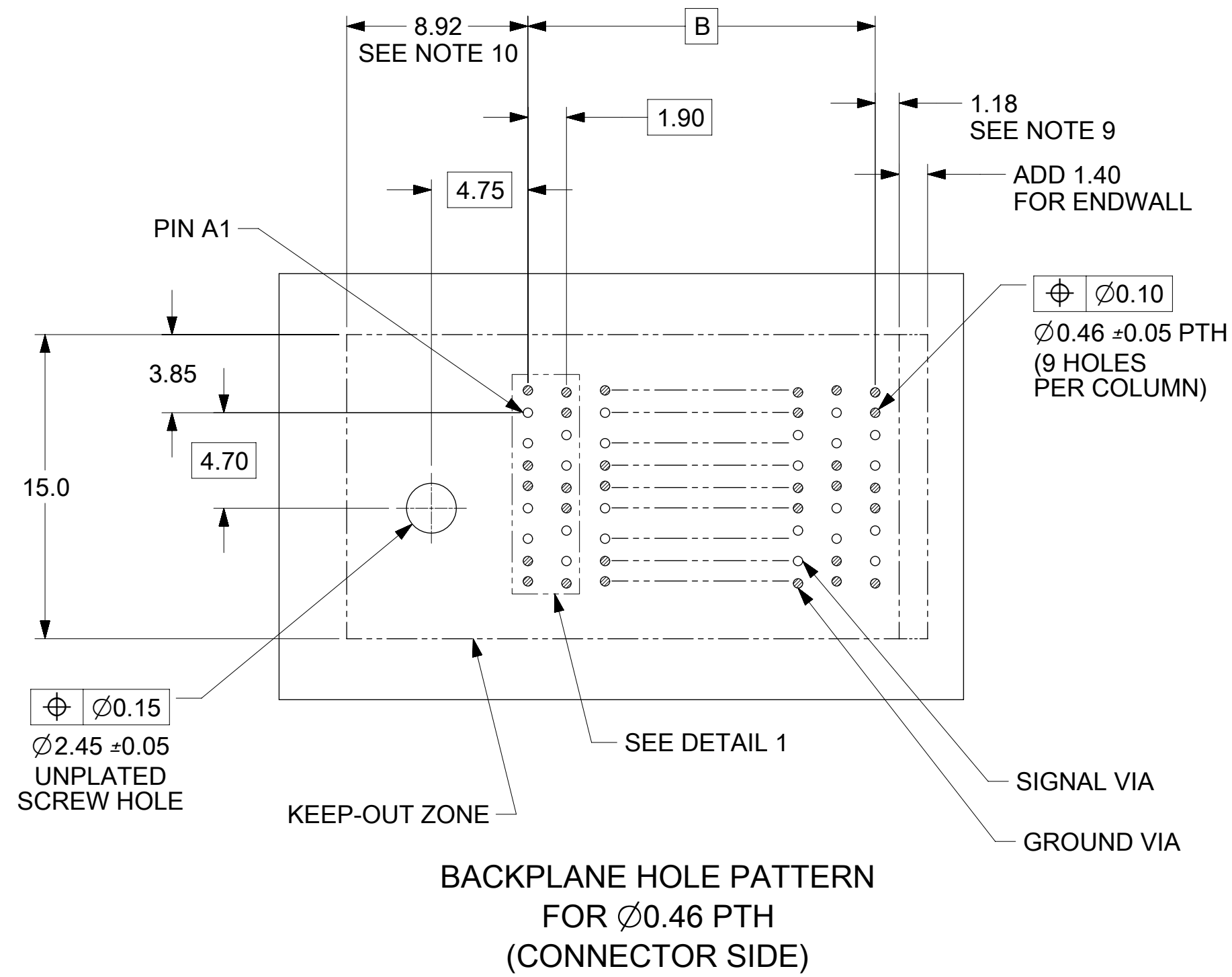
THIS DRAWING CONTAINS INFORMATION THAT IS PROPRIETARY TO MOLEX ELECTRONIC TECHNOLOGIES, LLC AND SHOULD NOT BE USED WITHOUT WRITTEN PERMISSION												
MIGRATED TO NX EC NO: 177983 DRWN: NSRVATSAHS CHKD: DWLEED01 REV / APPR: DWLEED01	2017/10/27		2018/07/12		2018/07/12		GENERAL TOLERANCES (UNLESS SPECIFIED)		DIMENSION UNITS: MM		SCALE: 4:1	
	4 PLACES ±		3 PLACES ±		2 PLACES ± 0.13		1 PLACE ± 0.25		0 PLACES ±		ANGULAR TOL ± 0.5 °	
	BJANOWIAK		2012/12/06		CYLIAW		DATE		DATE		DATE	
	JBINGHAM		2014/12/29		DATE		DATE		DATE		DATE	
DRAWING SIZE: C		THIRD ANGLE PROJECTION		SERIES: 171745		MATERIAL NUMBER: SEE CHART		CUSTOMER: GENERAL MARKET		PRODUCT CUSTOMER DRAWING		
DRAFT WHERE APPLICABLE MUST REMAIN WITHIN DIMENSIONS		C		DOCUMENT NUMBER: SD-171745-0002		DOC TYPE: PSD		DOC PART: 001		SHEET NUMBER: 2 OF 5		

MATERIAL NUMBER	NUMBER OF COLUMNS	NUMBER OF DIFF PAIR	DIM "A"	DIM "B"	DIM "C"	DIM "P"	PTH ϕ
171745-7804	8	16	23.30	13.30	1.10	4.90	0.46±0.05
171745-7805	8	16	23.30	13.30	1.10	5.50	0.46±0.05
171745-7807	8	16	23.30	13.30	1.20	4.90	0.36±0.05
171745-7808	8	16	23.30	13.30	1.20	5.50	0.36±0.05
171745-7104	10	20	27.10	17.10	1.10	4.90	0.46±0.05
171745-7105	10	20	27.10	17.10	1.10	5.50	0.46±0.05
171745-7107	10	20	27.10	17.10	1.20	4.90	0.36±0.05
171745-7108	10	20	27.10	17.10	1.20	5.50	0.36±0.05
171745-7204	12	24	30.90	20.90	1.10	4.90	0.46±0.05
171745-7205	12	24	30.90	20.90	1.10	5.50	0.46±0.05
171745-7207	12	24	30.90	20.90	1.20	4.90	0.36±0.05
171745-7208	12	24	30.90	20.90	1.20	5.50	0.36±0.05
171745-7604	16	32	38.50	28.50	1.10	4.90	0.46±0.05
171745-7605	16	32	38.50	28.50	1.10	5.50	0.46±0.05
171745-7607	16	32	38.50	28.50	1.20	4.90	0.36±0.05
171745-7608	16	32	38.50	28.50	1.20	5.50	0.36±0.05



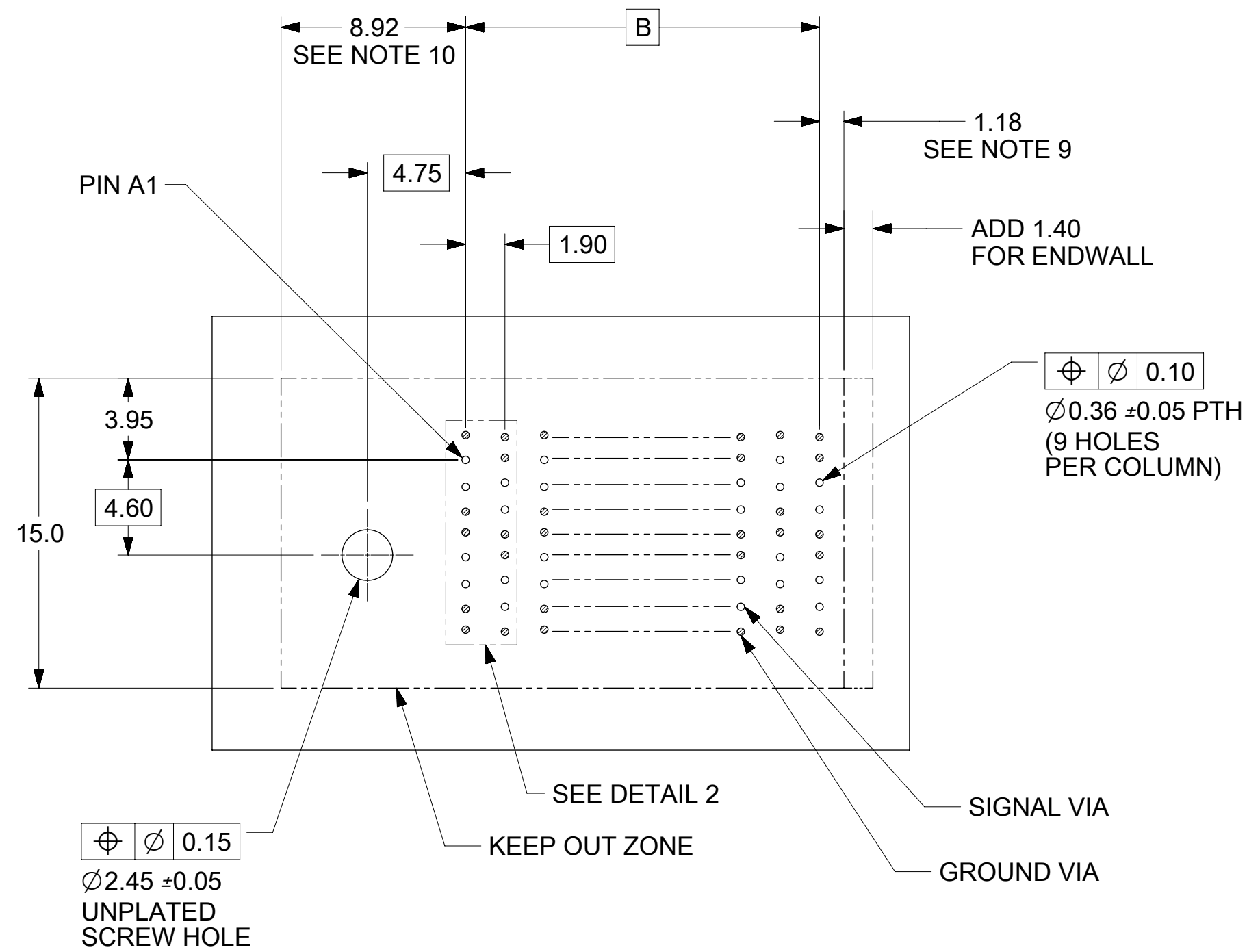
THIS DRAWING CONTAINS INFORMATION THAT IS PROPRIETARY TO MOLEX ELECTRONIC TECHNOLOGIES, LLC AND SHOULD NOT BE USED WITHOUT WRITTEN PERMISSION

MIGRATED TO NX EC NO: 177983 DRWN: NSRVATSAHS CHKD: DWLEED01 REV / APPR: DWLEED01	2017/10/27	2018/07/12	2018/07/12	GENERAL TOLERANCES (UNLESS SPECIFIED) ANGULAR TOL ± 0.5 ° 4 PLACES ± 3 PLACES ± 2 PLACES ± 0.13 1 PLACE ± 0.25 0 PLACES ± DRAFT WHERE APPLICABLE MUST REMAIN WITHIN DIMENSIONS	DIMENSION UNITS MM	SCALE 4:1	molex IMPEL 2 PAIR BACKPLANE GUIDE LEFT ASSEMBLY SALES DRAWING
	DRWN BY BJANOWIAK	DATE 2012/12/06	CHKD BY CYLIAW		DATE		
	APPR BY JBINGHAM	DATE 2014/12/29	PRODUCT CUSTOMER DRAWING				
	DRAWING SIZE C	THIRD ANGLE PROJECTION	SERIES 171745		MATERIAL NUMBER SEE CHART	CUSTOMER GENERAL MARKET	
	A2		DOCUMENT NUMBER SD-171745-0002		DOC TYPE PSD	DOC PART 001	

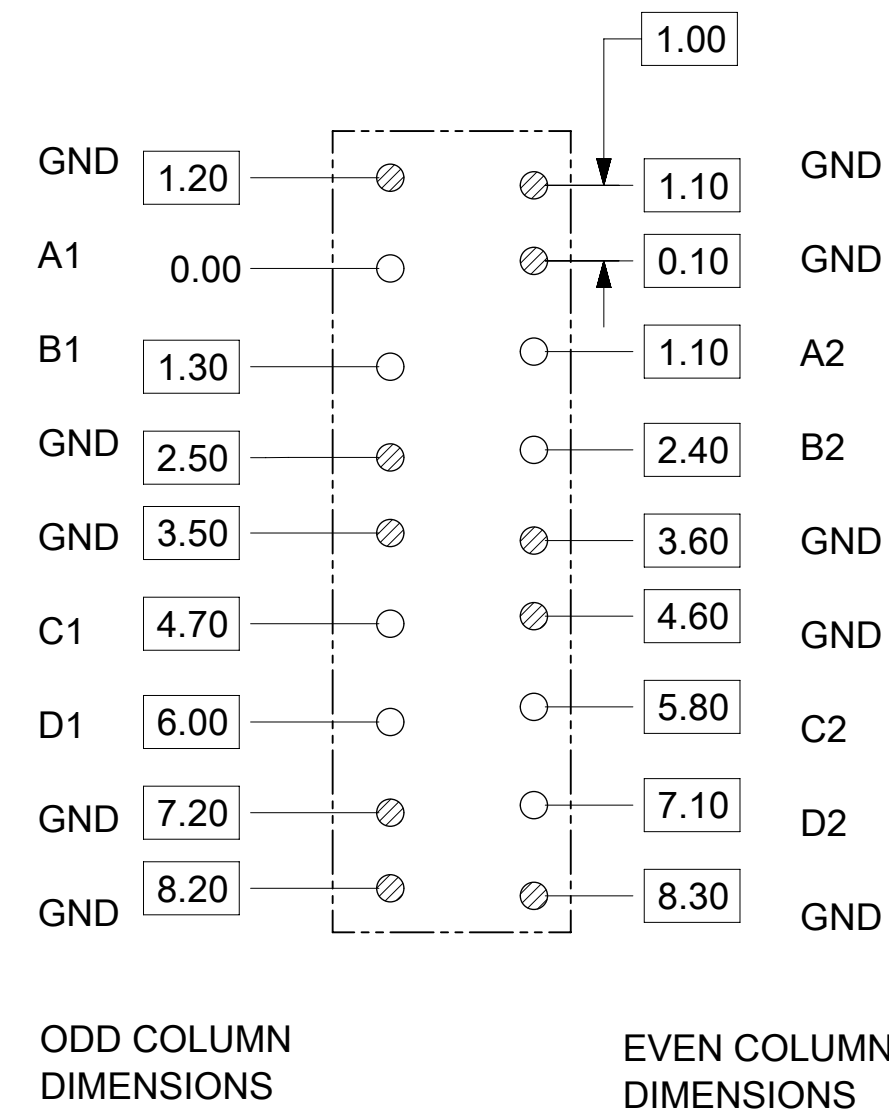


THIS DRAWING CONTAINS INFORMATION THAT IS PROPRIETARY TO MOLEX ELECTRONIC TECHNOLOGIES, LLC AND SHOULD NOT BE USED WITHOUT WRITTEN PERMISSION

MIGRATED TO NX EC NO: 177983 DRWN: NSRVATSAHS CHKD: DWLEED01 REV / APPR: DWLEED01	2017/10/27		2018/07/12		2018/07/12		GENERAL TOLERANCES (UNLESS SPECIFIED)	DIMENSION UNITS	SCALE	molex IMPEL 2 PAIR BACKPLANE GUIDE LEFT ASSEMBLY SALES DRAWING	
	ANGULAR TOL $\pm 0.5^\circ$		4 PLACES \pm		3 PLACES \pm			MM	4:1		
	2 PLACES ± 0.13		1 PLACE ± 0.25		0 PLACES \pm			DRWN BY	DATE		
	DRAFT WHERE APPLICABLE MUST REMAIN WITHIN DIMENSIONS		C		THIRD ANGLE PROJECTION			BJANOWIAK	2012/12/06		
APPR BY		DATE		SERIES		MATERIAL NUMBER		CUSTOMER			
JBINGHAM		2014/12/29		171745		SEE CHART		GENERAL MARKET			
DRAWING SIZE		THIRD ANGLE PROJECTION		DOCUMENT NUMBER		DOC TYPE		DOC PART		SHEET NUMBER	
C		THIRD ANGLE PROJECTION		SD-171745-0002		PSD		001		4 OF 5	



BACKPLANE HOLE PATTERN
FOR Ø0.36 PTH
(CONNECTOR SIDE)



DETAIL 2
SCALE 10:1

THIS DRAWING CONTAINS INFORMATION THAT IS PROPRIETARY TO MOLEX ELECTRONIC TECHNOLOGIES, LLC AND SHOULD NOT BE USED WITHOUT WRITTEN PERMISSION											
MIGRATED TO NX EC NO: 177983 DRWN: NSRVATSAHS CHKD: DWLEED01 REV / APPR: DWLEED01	GENERAL TOLERANCES (UNLESS SPECIFIED)			DIMENSION UNITS	SCALE	molex IMPEL 2 PAIR BACKPLANE GUIDE LEFT ASSEMBLY SALES DRAWING					
	ANGULAR TOL ± 0.5 °			MM	4:1						
	4 PLACES ±			DRWN BY	DATE	PRODUCT CUSTOMER DRAWING					
	3 PLACES ±			BJANOWIAK	2012/12/06						
	2 PLACES ± 0.13			CHKD BY	DATE	SERIES MATERIAL NUMBER CUSTOMER 171745 SEE CHART GENERAL MARKET					
	1 PLACE ± 0.25			CYLIAW							
0 PLACES ±			APPR BY	DATE	DOCUMENT NUMBER DOC TYPE DOC PART SHEET NUMBER SD-171745-0002 PSD 001 5 OF 5						
DRAFT WHERE APPLICABLE MUST REMAIN WITHIN DIMENSIONS			JBINGHAM	2014/12/29							
A2	C	THIRD ANGLE PROJECTION									