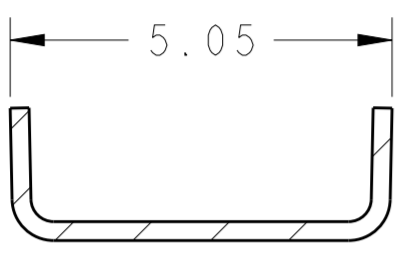


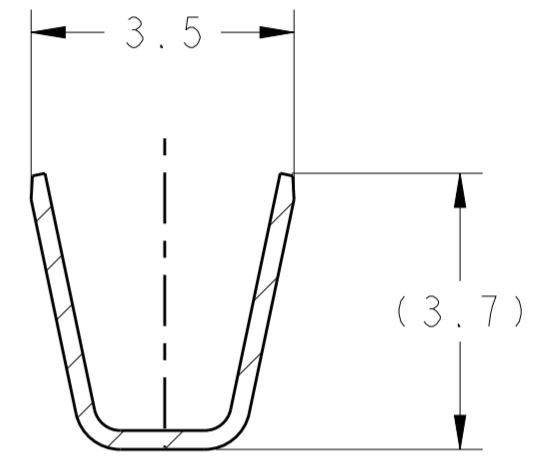
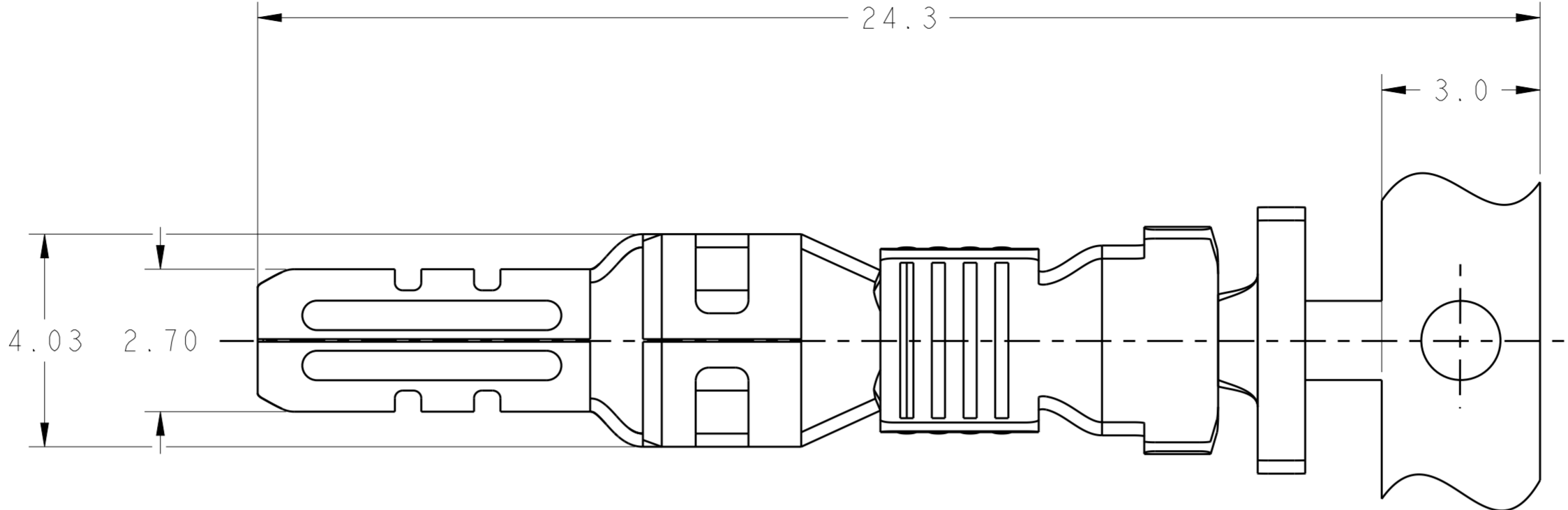
THIS DRAWING IS UNPUBLISHED. RELEASED FOR PUBLICATION 20  
 © COPYRIGHT 20 BY - ALL RIGHTS RESERVED.

LOC ES DIST 00

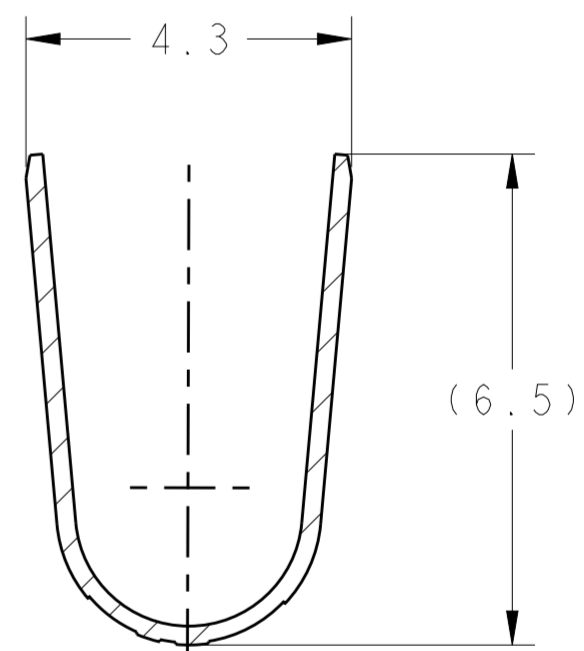
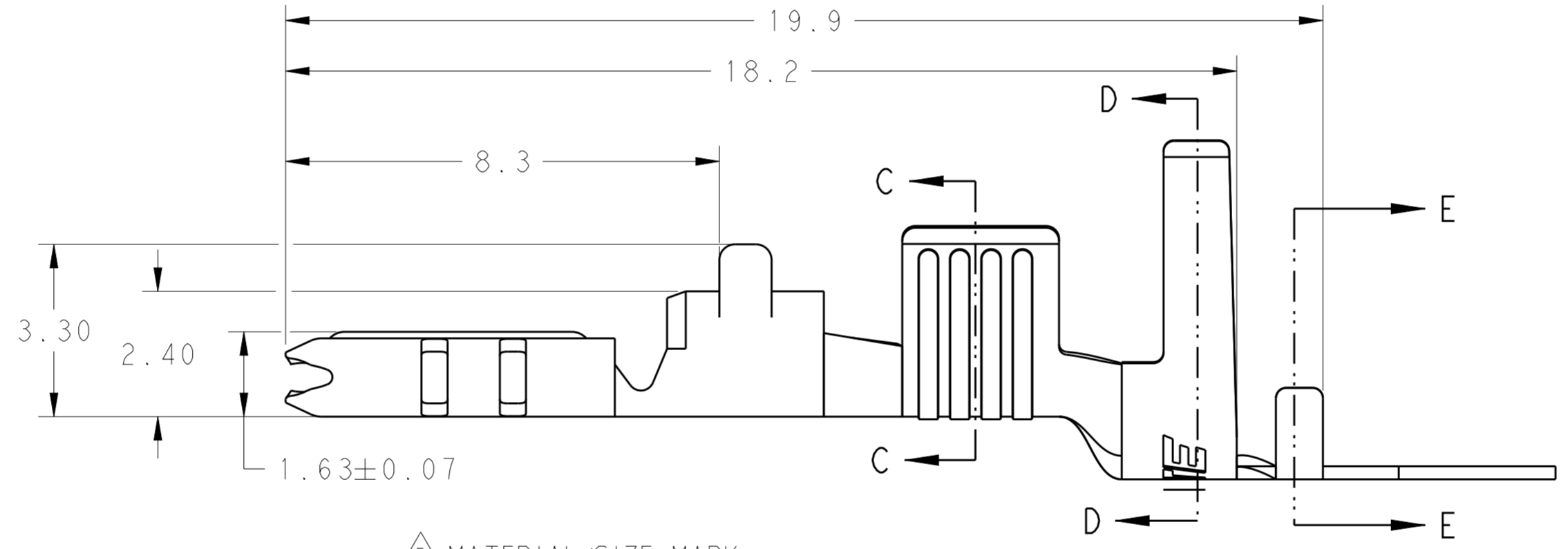
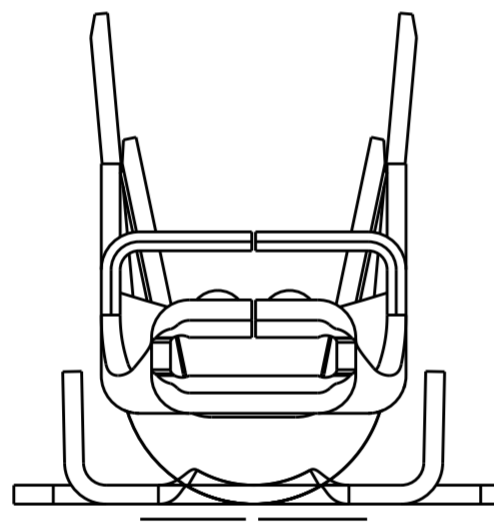
REVISIONS				
P	LTR	DESCRIPTION	DATE	APVD
D2		REVISED PER ECR-16-017426	19DEC2016	BW RS
E		REVISED PER ECR-18-003963	05SEP2018	BKW GJ
E1		REVISED PER ECR-18-015112	01OCT2018	BDA GJ
E2		REVISED PER ECR-20-100297	10AUG2020	PJ VS



SECTION E-E

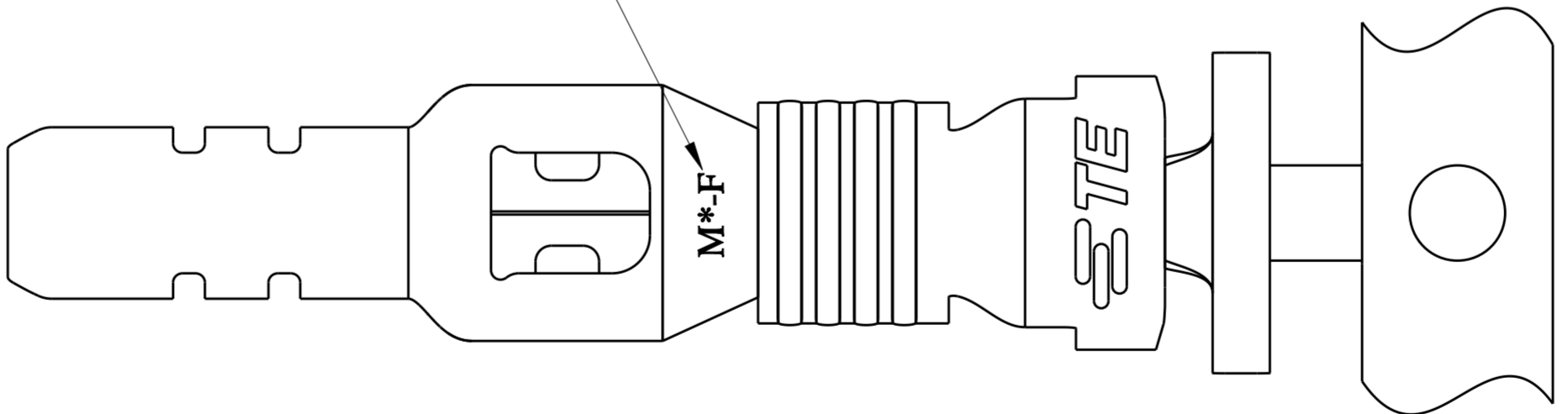


SECTION C-C



SECTION D-D

5 MATERIAL/SIZE MARK



- 1 MATERIAL: COPPER ALLOY, PRE TIN PLATING
- 2 RECOMMENDED WIRE RANGE: 2x18 AWG (TOTAL CMA 3160 ~ 3600) COPPER STRANDED
- 3 APPLICABLE INSULATION DIAMETER: 2.5 ~ 3.1 mm EACH WIRE
- 4 APPLICABLE MATED CAP HOUSING P/N:  
 \*-1971772-\*/\*-1971775-\*/\*-1971875-\*/  
 \*-2232263-\*/\*-2232264-\*/\*-2232356-\*

5 WIRE SIZE INDICATOR "F" = 2x18 AWG

6. This product has not completed validation testing.

SUPERCEDED BY 1971788-2

HIGH(150°C)	M0-F	1971788-2
STANDARD(105°C)	M4	1971788-1
TEMP. RATING	MATERIAL/SIZE MARK 5	PART NO

THIS DRAWING IS A CONTROLLED DOCUMENT.		DWN TOMMY WU 11JUL2012	<b>STE</b> TE Connectivity	
		CHK HAPYE WU 11JUL2012		
		APVD YUHHONG MAO 11JUL2012	NAME	
DIMENSIONS: mm		PRODUCT SPEC 108-106118	TAB CONTACT POWER TRIPLE LOCK	
TOLERANCES UNLESS OTHERWISE SPECIFIED:		APPLICATION SPEC 114-106118	SIZE	CAGE CODE
0 PLC ±-		WEIGHT -	A2	00779
1 PLC ±0.5		DRAWING NO C-1971788		
2 PLC ±0.30		RESTRICTED TO -		
3 PLC ±0.30		SCALE 5:1		
4 PLC ±		SHEET 1 OF 1		
ANGLES ±-		REV E2		
FINISH		Customer Drawing		