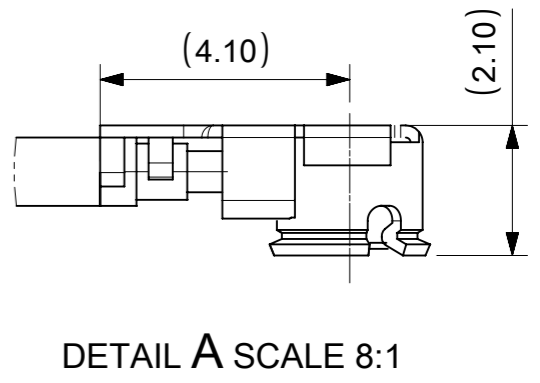
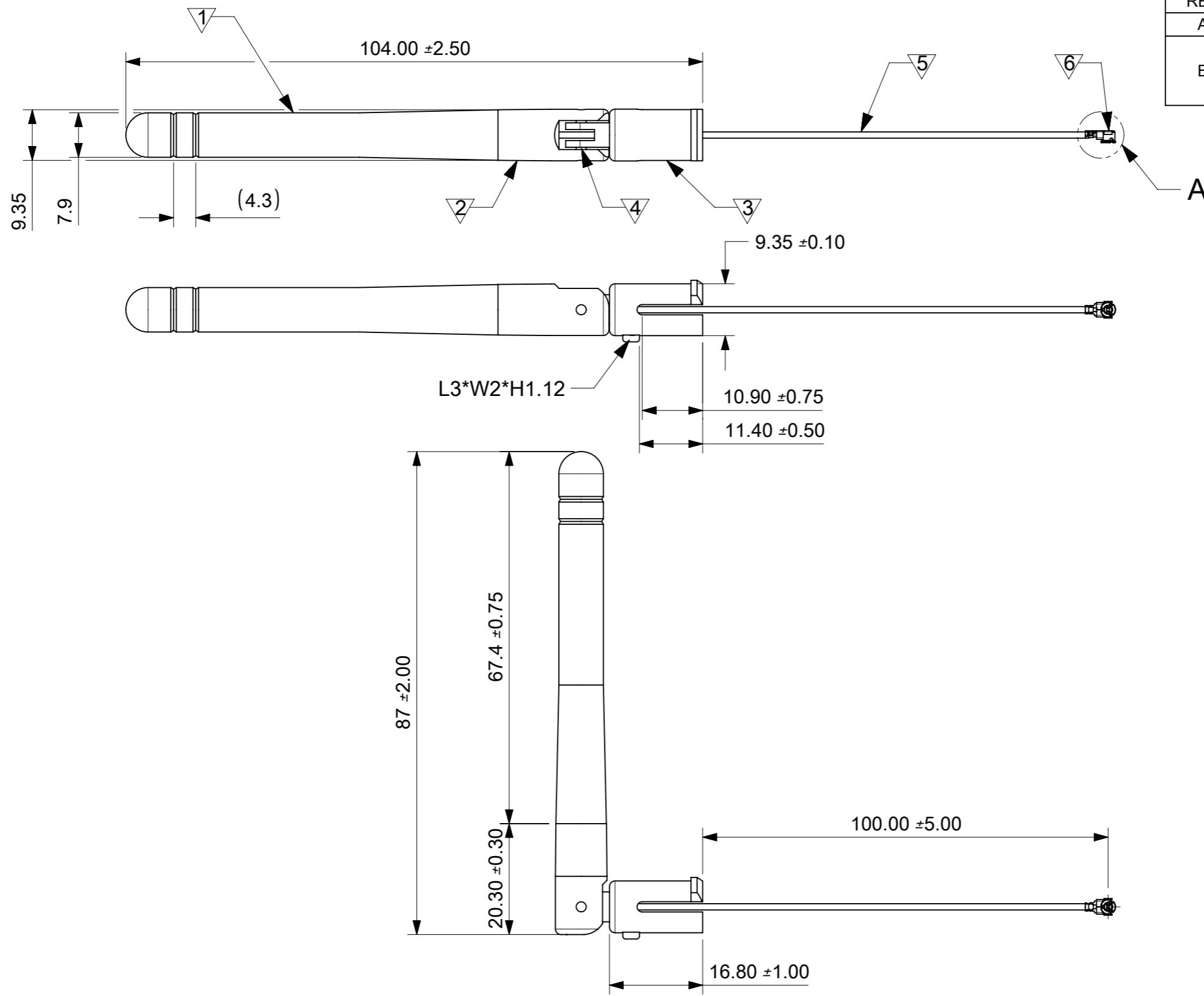


REV	DATE	DESCRIPTION
A	2019/10/22	NEW RELEASE
B	2020/06/09	UPDATE CABLE COLOR(CHANGE TO BLACK)



- NOTES:
1. FOR STRUCTURAL MATERIALS, PLEASE REFER TO THE MATERIAL FORM.
 2. PACKAGE SPEC. REFER TO PK OF 2143860001
 3. PRODUCT SPEC. REFER TO PS OF 2144280001
 4. APPLICATION SPEC. REFER TO AS OF 2144280001

SYMBOLS	THIS DRAWING CONTAINS INFORMATION THAT IS PROPRIETARY TO MOLEX ELECTRONIC TECHNOLOGIES, LLC AND SHOULD NOT BE USED WITHOUT WRITTEN PERMISSION	
▽ = 0	DIMENSION UNITS	SCALE
▽ = 0	mm	1:1
▽ = 0	GENERAL TOLERANCES (UNLESS SPECIFIED)	
▽ = 0	ANGULAR TOL	± °
▽ = 0	4 PLACES	±
▽ = 0	3 PLACES	±
▽ = 0	2 PLACES	± 0.5
▽ = 0	1 PLACE	± 1.0
▽ = 0	0 PLACES	±
■ = 0	DRAFT WHERE APPLICABLE MUST REMAIN WITHIN DIMENSIONS	
▽ = 0	THIRD ANGLE PROJECTION	DRAWING
		A3-SIZE
	CURRENT REV DESC:	
	EC NO: 639180	
	DRWN: KCHENG06	2020/06/09
	CHK'D: XJSONG	2020/06/10
	APPR: XJSONG	2020/06/10
	INITIAL REVISION:	
	DRWN: KCHENG06	2019/10/26
	APPR: XJSONG	2019/11/05
	DOCUMENT NUMBER	DOC TYPE DOC PART REVISION
	2144280001	PSD 000 B
	MATERIAL NUMBER	CUSTOMER
	SEE BOM	GENERAL MARKET
	SHEET NUMBER	
		1 OF 2

THIS MATERIAL TABLE IS APPLIED FOR ANTENNAS BELOW:
MOLEX P/N:2144280001

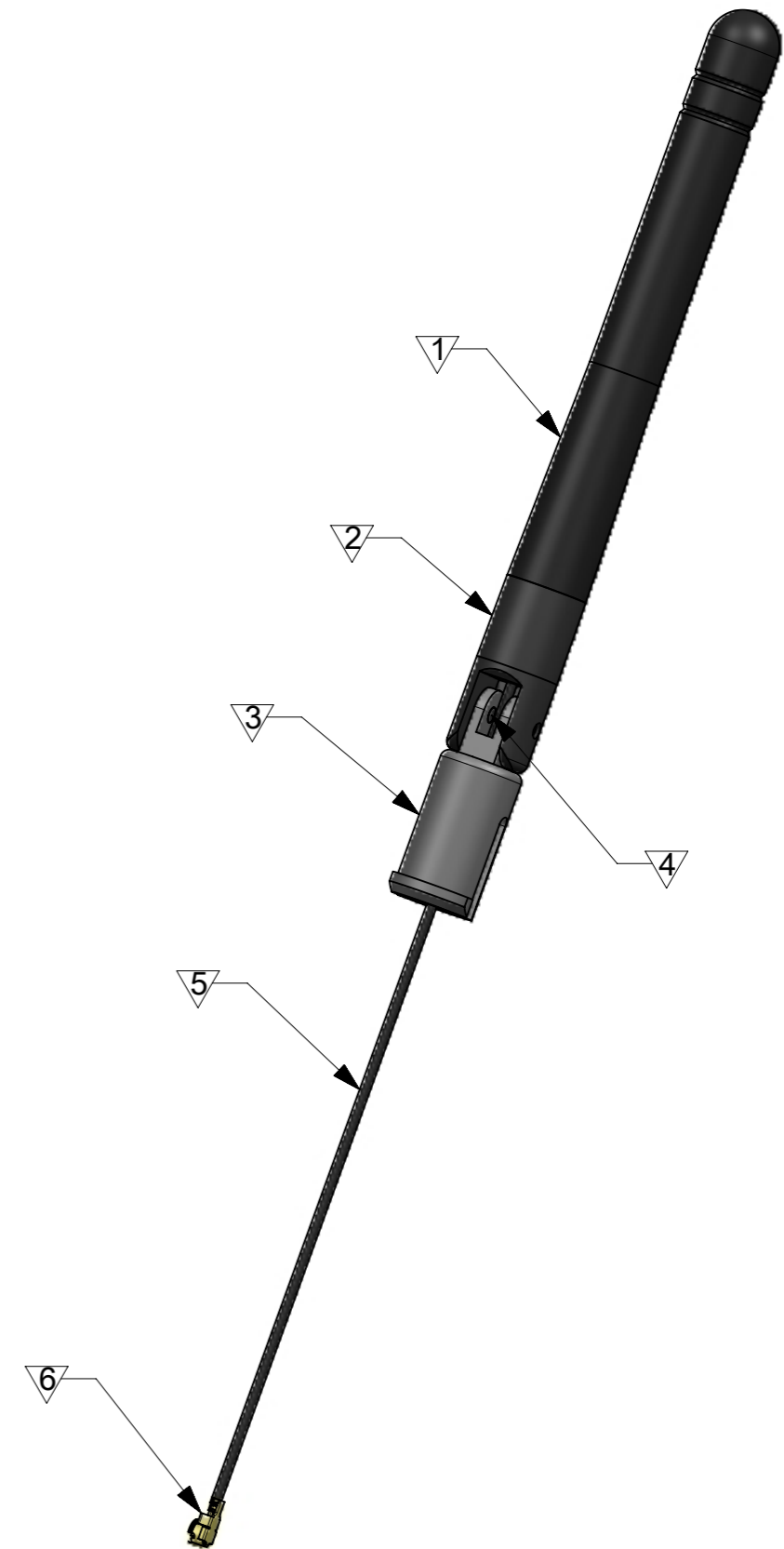
MATERIAL BOM

ITEM	DESCRIPTION		Q'TY	REMARK
1	ANTENNA CAP	TPE	1	COLOR:BLACK
2	UPPER FIXED BASE	PC+PBT	1	COLOR:BLACK
3	BOTTOM FIXED BASE	PC+PBT	1	COLOR:BLACK
4	RIVET	POM	2	COLOR:BLACK
5	CABLE	1.13MM	1	COLOR:BLACK
6	CONNECTOR	I-PEX MHF I	1	PLATING GOLD

THIS MATERIAL TABLE IS APPLIED FOR ANTENNAS BELOW:
MOLEX P/N:2144281001

MATERIAL BOM

ITEM	DESCRIPTION		Q'TY	REMARK
1	ANTENNA CAP	TPE	1	COLOR:WHITE
2	UPPER FIXED BASE	PC+PBT	1	COLOR:WHITE
3	BOTTOM FIXED BASE	PC+PBT	1	COLOR:WHITE
4	RIVET	POM	2	COLOR:WHITE
5	CABLE	1.13MM	1	COLOR:BLACK
6	CONNECTOR	I-PEX MHF I	1	PLATING GOLD



SYMBOLS ▽ = 0 ▽ = 0 ▽ = 0 ▽ = 0 ▽ = 0 ▽ = 0 ▽ = 0 ▽ = 0 ▽ = 0 ▽ = 0 ▽ = 0 ▽ = 0	THIS DRAWING CONTAINS INFORMATION THAT IS PROPRIETARY TO MOLEX ELECTRONIC TECHNOLOGIES, LLC AND SHOULD NOT BE USED WITHOUT WRITTEN PERMISSION	SCALE		CURRENT REV DESC: EC NO: 639180 DRWN: KCHENG06 2020/06/09 CHK'D: XJSONG 2020/06/10 APPR: XJSONG 2020/06/10 INITIAL REVISION: DRWN: KCHENG06 2019/10/26 APPR: XJSONG 2019/11/05						
	DIMENSION UNITS	1:1						MOLEX WIFI/BT ANTENNA_IPEX		
	GENERAL TOLERANCES (UNLESS SPECIFIED)									
	ANGULAR TOL	± °			DOCUMENT NUMBER 2144280001					
	4 PLACES	±						DOC TYPE	DOC PART	REVISION
	3 PLACES	±			PSD	000	B			
2 PLACES	± 0.5		MATERIAL NUMBER SEE BOM							
1 PLACE	± 1.0					CUSTOMER GENERAL MARKET				
0 PLACES	±		SHEET NUMBER 2 OF 2							
DRAFT WHERE APPLICABLE MUST REMAIN WITHIN DIMENSIONS						THIRD ANGLE PROJECTION	DRAWING	SERIES		
				A3-SIZE	214428					