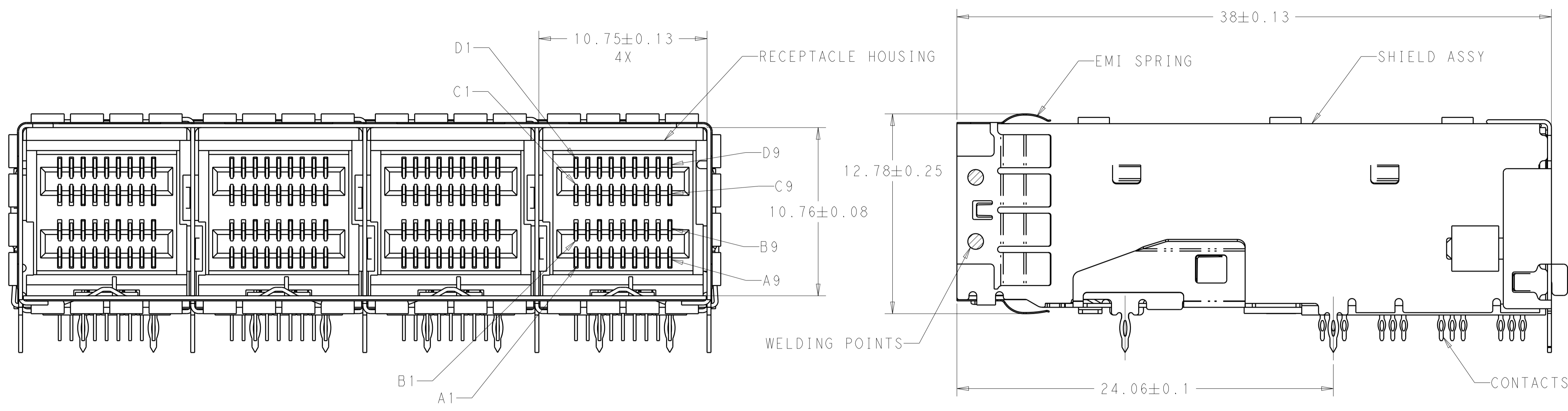
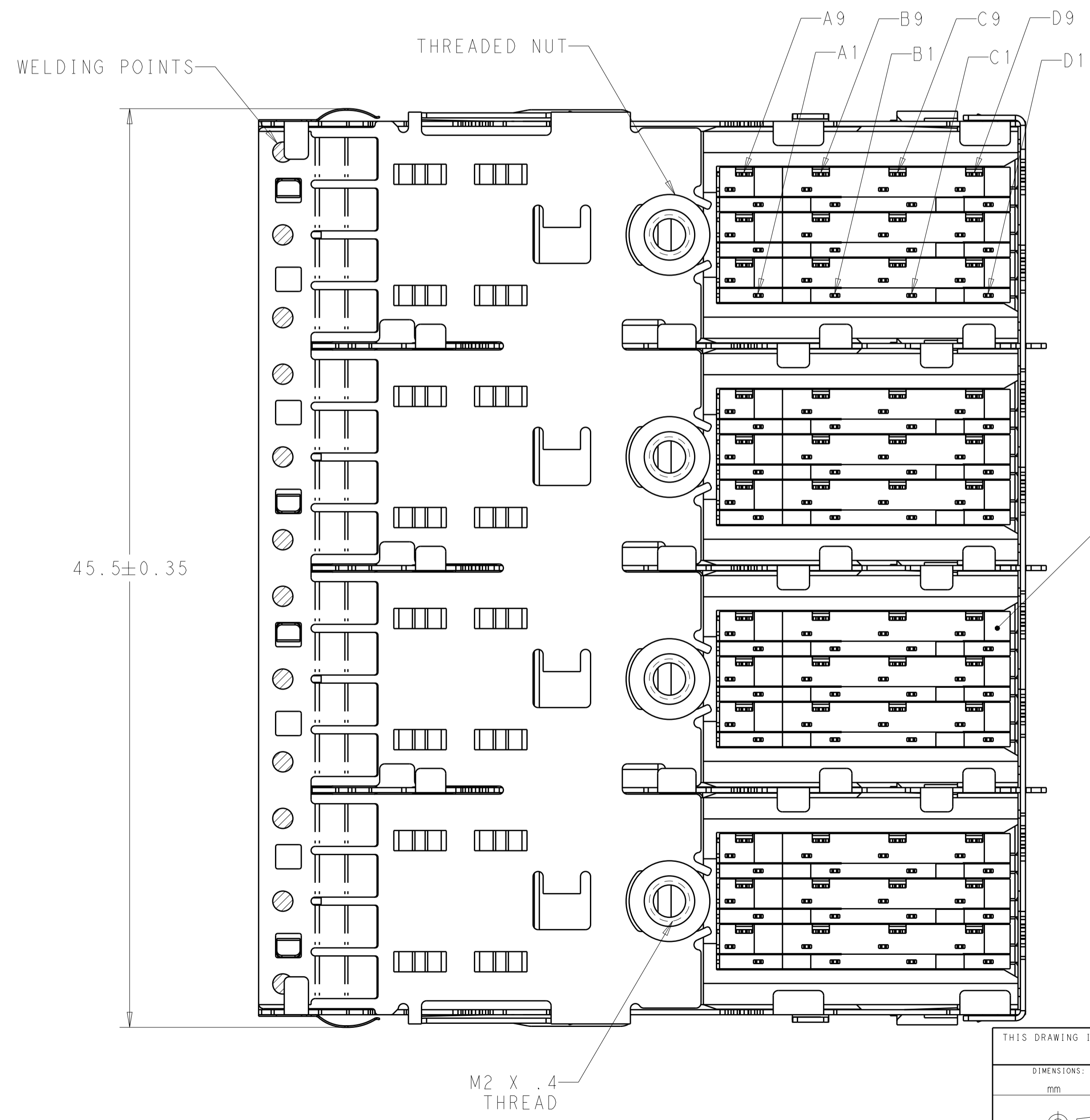


LOC		DIST		REVISIONS			
P	LTN	DESCRIPTION	DATE	DMN	APVD		
A		INITIAL RELEASE	18FEB2014	BM	DG		
B		REVISED PER ECO-15-013876	19JUN2016	JY	SH		



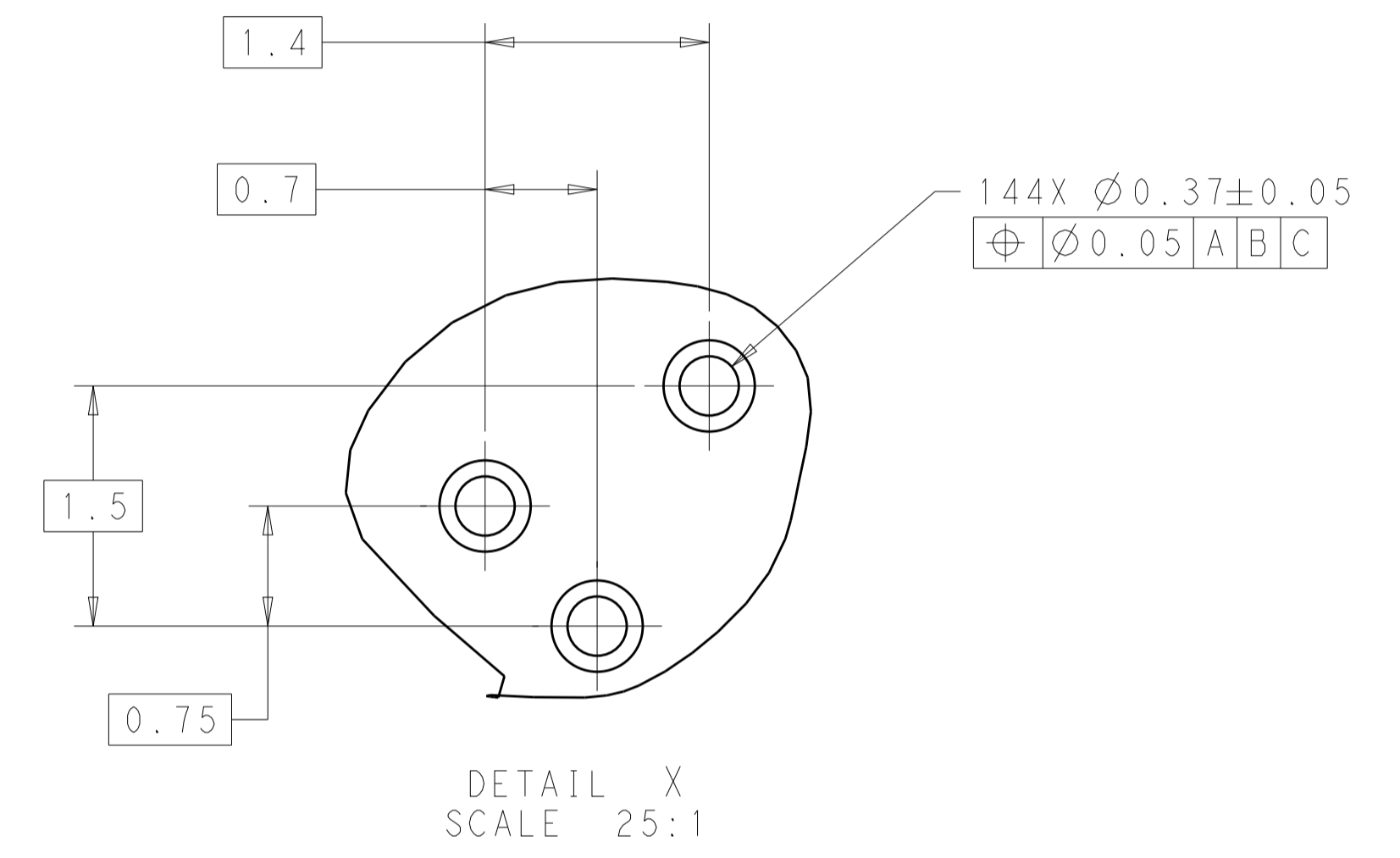
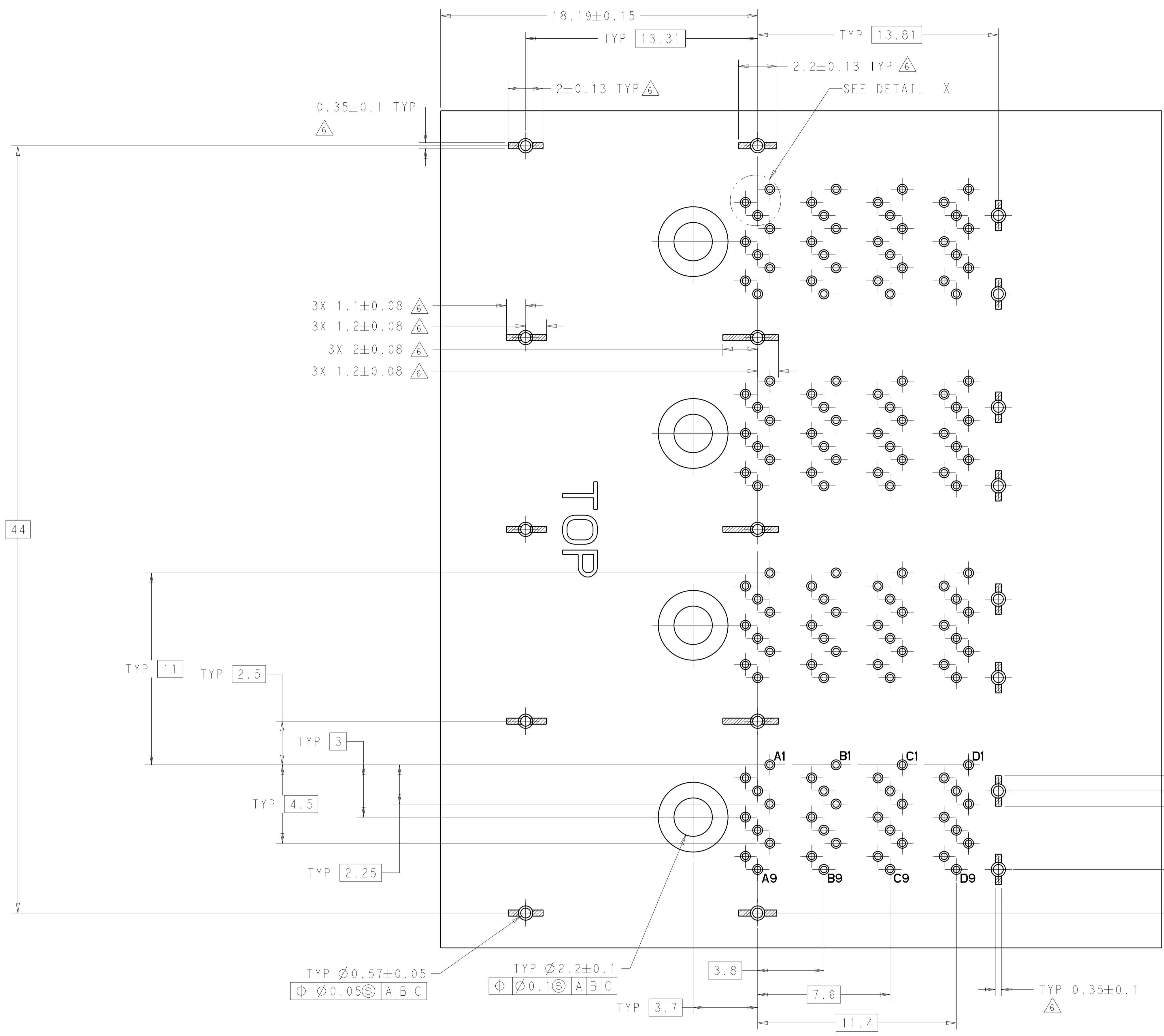
1. MATERIALS
 RECEPTACLE HOUSING, LCP, BLACK, UL94V-0 RATED
 SHIELD ASSY: NICKEL SILVER COPPER ALLOY
 CONTACTS: COPPER ALLOY
 EMI SPRING: COPPER ALLOY
 THREADED NUT: BRASS
 CHICKLETS: LCP, BLACK, UL 94V-0 RATED
 2. FINISH
 EMI SPRING: TIN PLATE OVER NICKEL PLATE
 NON-PLATED EDGES PERMISSABLE
 THREADED NUT: NICKEL PLATE
- △ CONTACT FINISH: 0.76µm MIN GOLD PLATE IN CONTACT AREA, 1.25µm MIN TIN ON PCB TAILS. ALL OVER 1.27µm MIN NICKEL UNDERPLATE.
4. THREAD LENGTH OF FASTENER = PCB THICKNESS+1.45 MAX
 5. THIS PRODUCT HAS NOT COMPLETED VALIDATION/QUALIFICATION TESTING
- △ RECOMMENDED TRACE KEEP OUT ZONE



2274680-1
 PART NUMBER

THIS DRAWING IS A CONTROLLED DOCUMENT.		DMN B. MATTHEWS 18FEB2014	TE Connectivity NAME RECEPTACLE ASSEMBLY, MINI-SAS HD, 4X
DIMENSIONS: mm		CHK D. GORENC 18FEB2014	
TOLERANCES UNLESS OTHERWISE SPECIFIED:		APVD D. GORENC 18FEB2014	SIZE CAGE CODE DRAWING NO RESTRICTED TO
0 PLC ±	1 PLC ±	PRODUCT SPEC 108-2462	A100779C=2274680
2 PLC ±	3 PLC ±	APPLICATION SPEC 114-13316	SCALE 6:1 SHEET 1 OF 3 REV B
4 PLC ±	ANGLES ±	WEIGHT	CUSTOMER DRAWING
MATERIAL	FINISH		

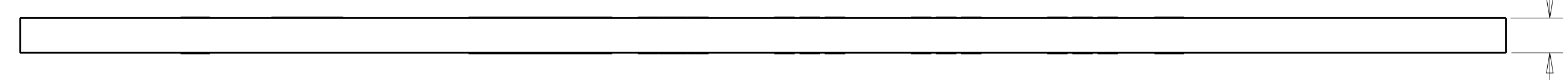
LOC		DIST		REVISIONS			
P	LTN	DESCRIPTION	DATE	DWN	APVD		
-	-	SEE SHEET 1	-	-	-	-	-



44

TOP

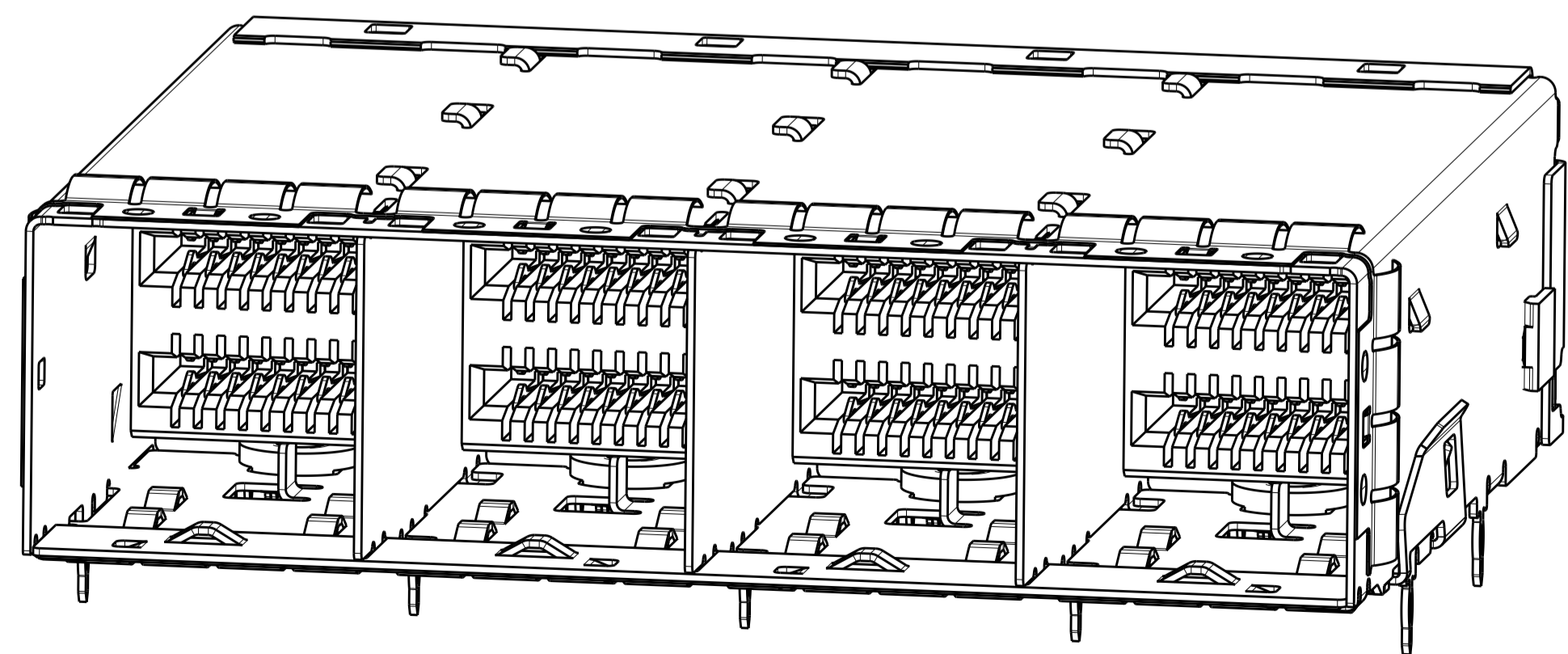
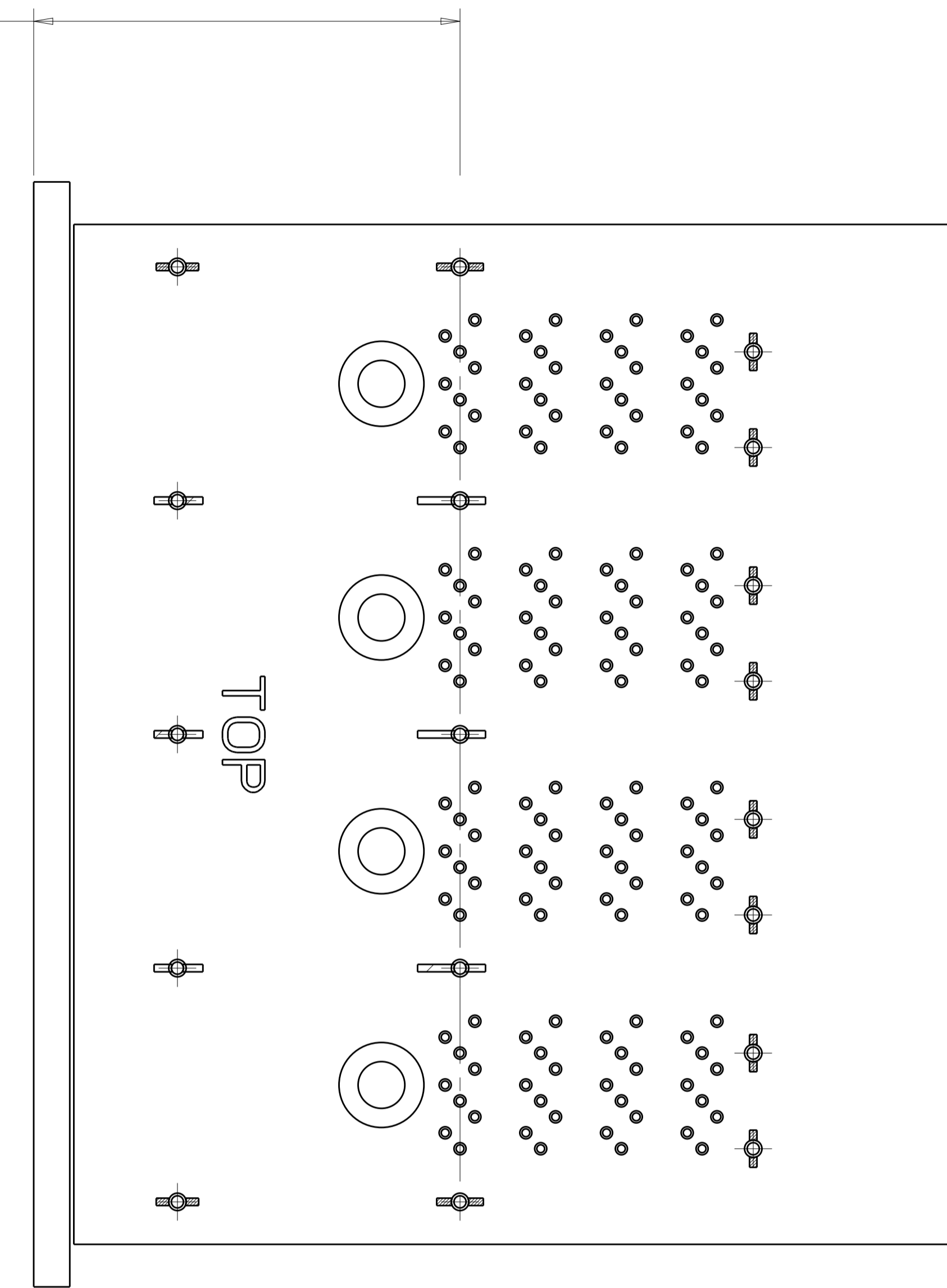
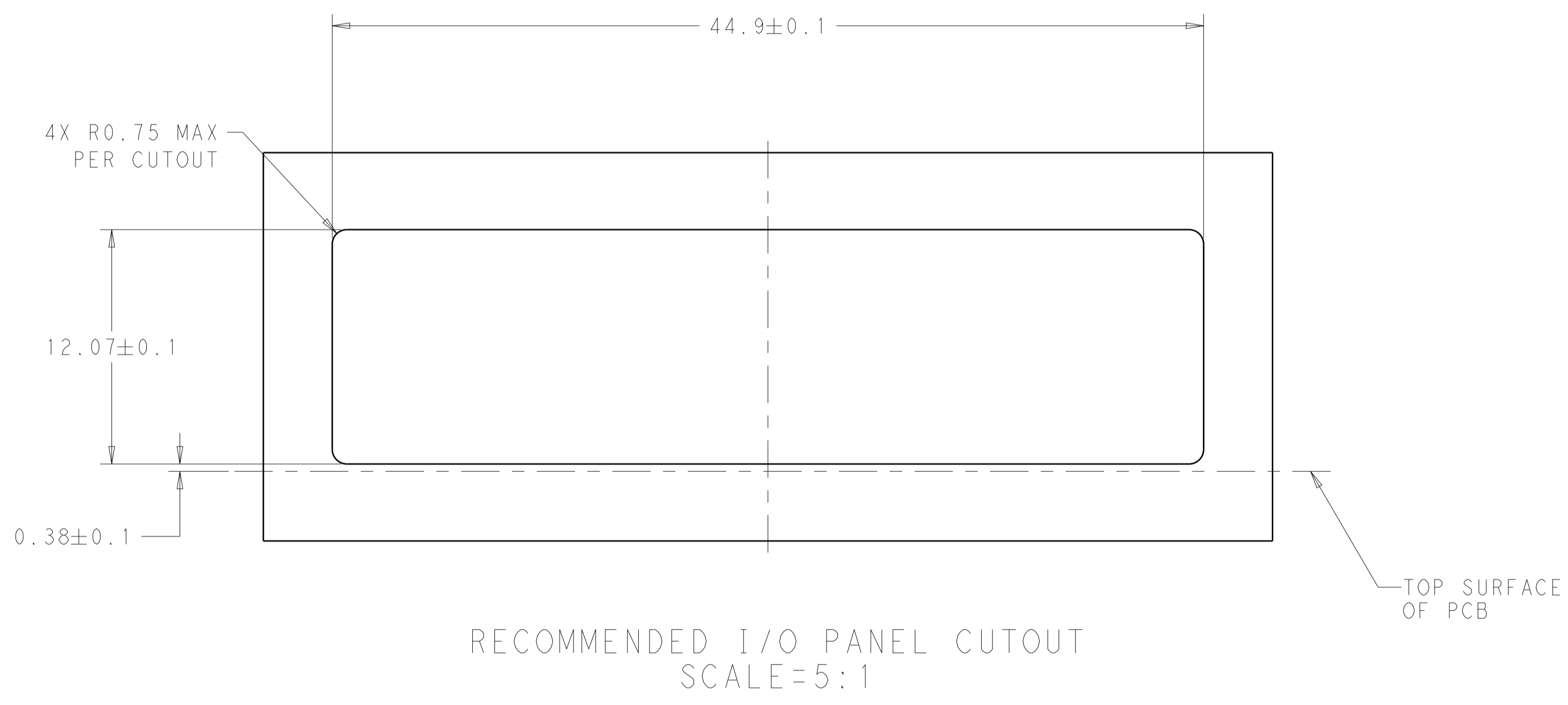
RECOMMENDED PCB LAYOUT



THIS DRAWING IS A CONTROLLED DOCUMENT.		DWN B. MATTHEWS 18FEB2014	TE Connectivity
DIMENSIONS: mm		CHK D. GORENC 18FEB2014	
TOLERANCES UNLESS OTHERWISE SPECIFIED:		APVD D. GORENC 18FEB2014	NAME
0 PLC ±	1 PLC ±	PRODUCT SPEC	RECEPTACLE ASSEMBLY, MINI-SAS HD, 4X
2 PLC ±	3 PLC ±	APPLICATION SPEC	
4 PLC ±	ANGLES ±	114-13316	SIZE CAGE CODE DRAWING NO
MATERIAL	FINISH	WEIGHT	A100779C=2274680
CUSTOMER DRAWING			RESTRICTED TO
SCALE 6:1			SHEET 2 OF 3
			REV B

LOC		DIST		REVISIONS			
P	LTN	DESCRIPTION	DATE	DWN	APVD		
-	-	SEE SHEET 1	-	-	-		

19 PCI APPLICATION
 20.08 ALL OTHER APPLICATIONS



THIS DRAWING IS A CONTROLLED DOCUMENT.		DWN B. MATTHEWS 18FEB2014	
		CHK D. GORENC 18FEB2014	
DIMENSIONS:		APVD D. GORENC 18FEB2014	NAME
mm	0 PLC ±	PRODUCT SPEC	RECEPTACLE ASSEMBLY, MINI-SAS HD, 4X
	2 PLC ±	108-2462	SIZE CAGE CODE DRAWING NO
	3 PLC ±	APPLICATION SPEC	A100779C=2274680
	4 PLC ±	114-13316	RESTRICTED TO
	ANGLES ±	WEIGHT	-
MATERIAL	FINISH	CUSTOMER DRAWING	SCALE 5:1 SHEET 3 OF 3 REV B