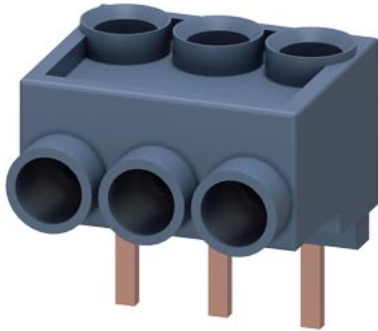


3-phase supply terminal for contactor 3RT201, Size S00



General technical data		
product brand name		SIRIUS
product designation		3-phase infeed terminals
size of contactor		S00
ambient temperature		
• during storage	°C	-50 ... +80
• during operation	°C	-40 ... +60
insulation voltage with degree of pollution 3 at AC rated value	V	690
Installation/ mounting/ dimensions		
width	mm	25.9
height	mm	30.4
depth	mm	28.4
Connections/ Terminals		
type of electrical connection		screw-type terminals with box terminals
• for main current circuit		
type of connectable conductor cross-sections		
• for main contacts		
— solid		1x (2.5 ... 6.0 mm ²)
— stranded		1x (2.5 ... 6.0 mm ²)
— finely stranded		
— with core end processing		1x (2.5 ... 10.0 mm ²)
• at AWG cables		
— for main contacts		1x (12 ... 8)
Certificates/ approvals		
certificate of suitability		CE / UL / CSA / CCC
General Product Approval	Declaration of Conformity	



[Miscellaneous](#)

[Miscellaneous](#)

Test Certificates

Shipping Approval

[Special Test Certificate](#)

[Type Test Certificates/Test Report](#)



Shipping Approval

other

Railway



[Confirmation](#)

[Vibration and Shock](#)

Further information

Information- and Downloadcenter (Catalogs, Brochures,...)

<https://www.siemens.com/ic10>

Industry Mall (Online ordering system)

<https://mall.industry.siemens.com/mall/en/en/Catalog/product?mlfb=3RA2913-3K>

Cax online generator

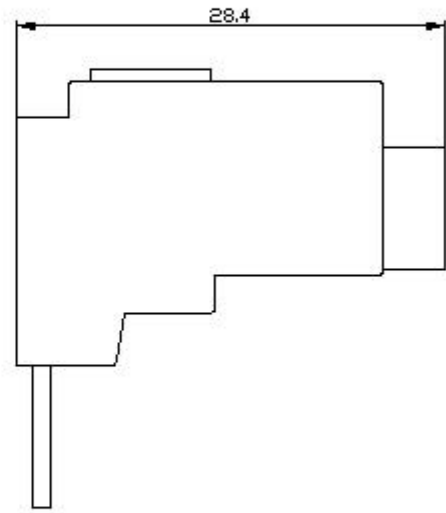
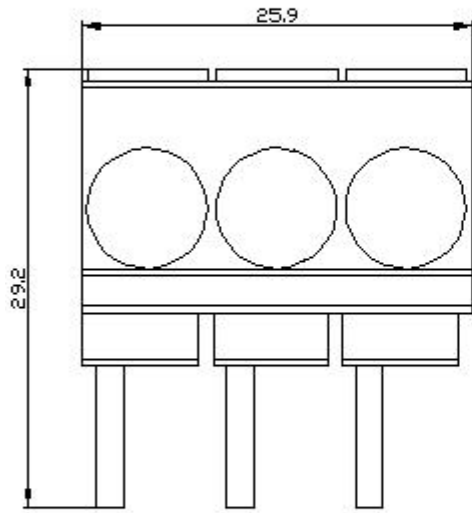
<http://support.automation.siemens.com/WW/CAXorder/default.aspx?lang=en&mlfb=3RA2913-3K>

Service&Support (Manuals, Certificates, Characteristics, FAQs,...)

<https://support.industry.siemens.com/cs/ww/en/ps/3RA2913-3K>

Image database (product images, 2D dimension drawings, 3D models, device circuit diagrams, EPLAN macros, ...)

http://www.automation.siemens.com/bilddb/cax_de.aspx?mlfb=3RA2913-3K&lang=en



last modified:

12/18/2020 