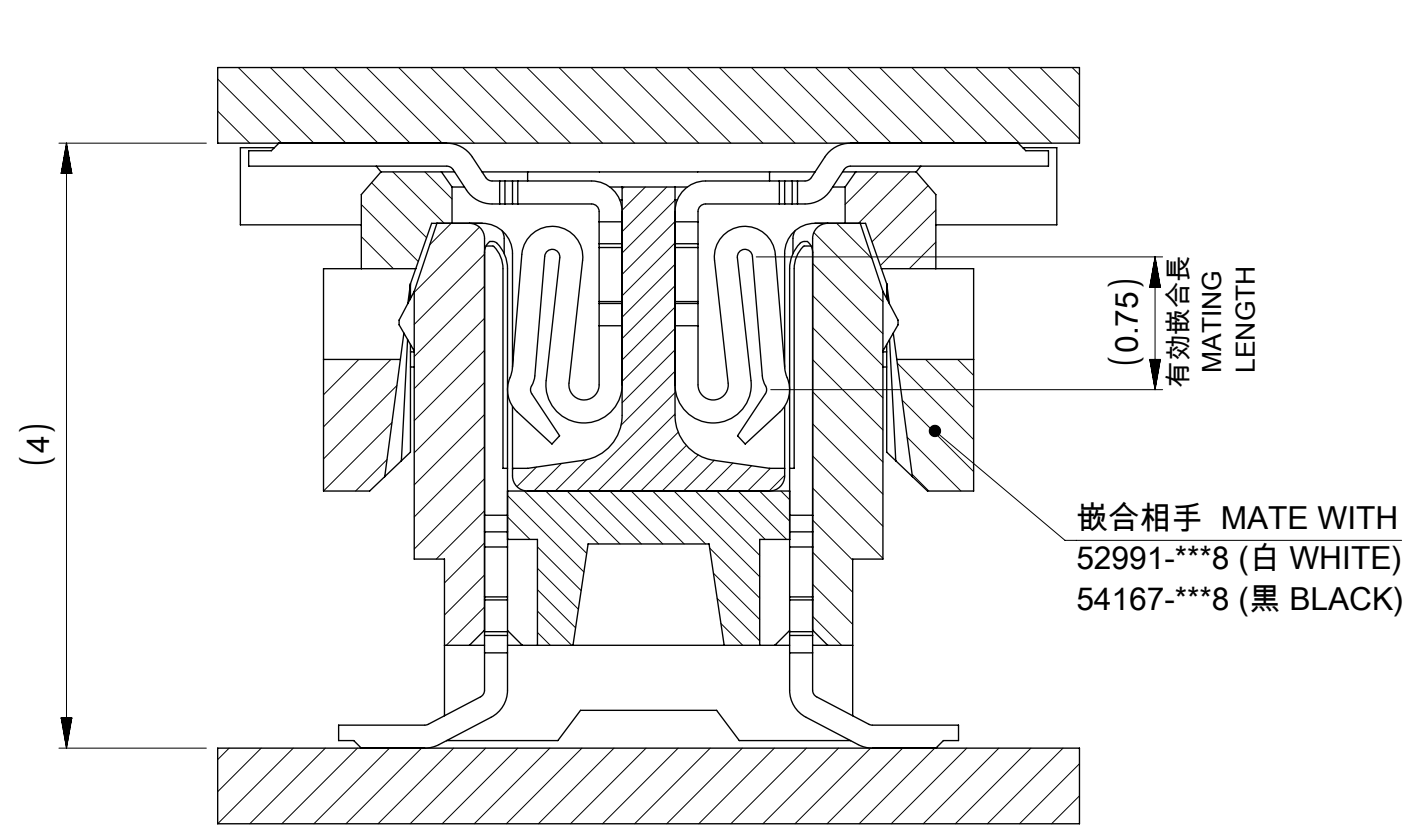


NOTES

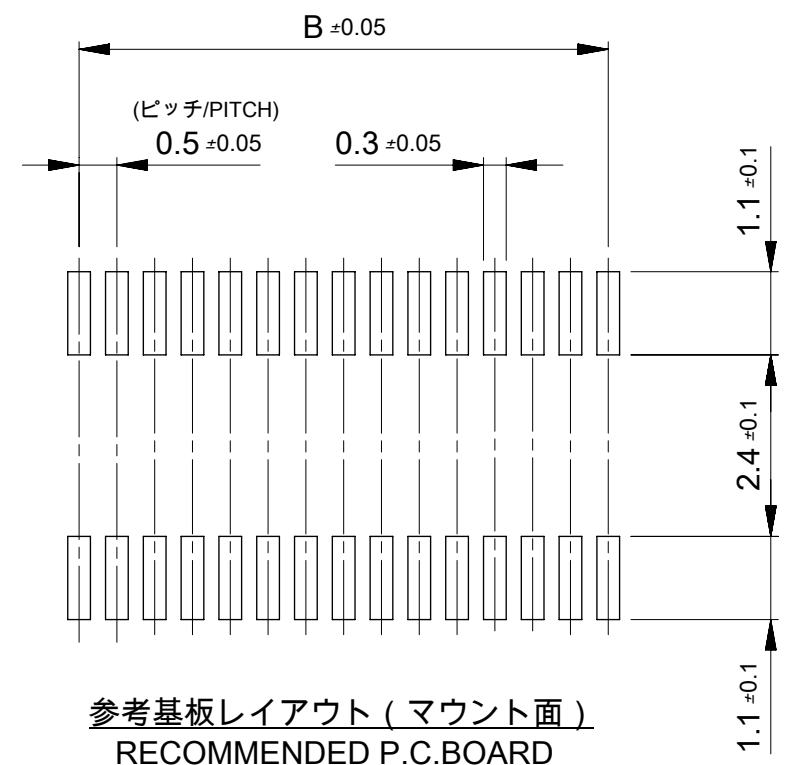
- 材質
MATERIAL
ハウジング : LCP (液晶ポリマー)、ガラス充填、黒色、UL94V-0
HOUSING: GLASS FILLED LIQUID CRYSTAL POLYMER, BLACK, UL94V-0
ターミナル : 銅合金 (t=0.15)
TERMINAL: COPPER ALLOY (t=0.15)
- メッキ仕様
PLATING
ターミナル
TERMINAL
接点部 : 金メッキ
CONTACT AREA: GOLD
半田付け部 : 錫メッキ
SOLDER TAIL AREA : TIN
下地メッキ : ニッケルメッキ
UNDER PLATING : NICKEL
- テール平坦度 : 0.1 MAXIMUM
COPLANARITY: 0.1 MAXIMUM
- ELV AND RoHS COMPLIANT.
- 嵌合相手 : 52991シリーズ (嵌合高さ = 4mm)、54167シリーズ (嵌合高さ = 4mm)
MATE WITH: 52991 SERIES (HEIGHT = 4mm), AND 54167 SERIES (HEIGHT = 4mm)

12.74	12	14.8	501920-5001	50
10.24	9.5	12.3	501920-4001	40
7.74	7.0	9.8	501920-3001	30
C	B	A	EMBOSSSED TAPE	極数
			ORDER No.	CIRCUIT
CONNECTOR SERIES No.			501920-**09	

THIS DRAWING CONTAINS INFORMATION THAT IS PROPRIETARY TO MOLEX ELECTRONIC TECHNOLOGIES, LLC AND SHOULD NOT BE USED WITHOUT WRITTEN PERMISSION		CURRENT REV DESC: REVISED		molex	
DIMENSION UNITS	SCALE	EC NO: 642297			
mm	10:1	DRWN: SUDAYGUNAGI		PRODUCT CUSTOMER DRAWING	
GENERAL TOLERANCES (UNLESS SPECIFIED)		CHK'D: HSHIMYOYAMA		DOCUMENT NUMBER	
ANGULAR TOL ± 10°		APPR: SHOSHIKAWA		SD-501920-001	
4 PLACES ± 0.2		INITIAL REVISION:		DOC TYPE	
3 PLACES ± 0.25		DRWN: M. I SOGAYA		DOC PART	
2 PLACES ± 0.3		APPR: M. SASAO		REVISION	
1 PLACE ± 0.1		2005/08/17		001	
0 PLACES ±		2005/08/17		C	
ANGULAR ± 1°		THIRD ANGLE PROJECTION		MATERIAL NUMBER	
DRAFT WHERE APPLICABLE MUST REMAIN WITHIN DIMENSIONS		DRAWING		CUSTOMER	
		A3-SIZE		GENERAL	
		SERIES		SHEET NUMBER	
		501920		1 OF 2	

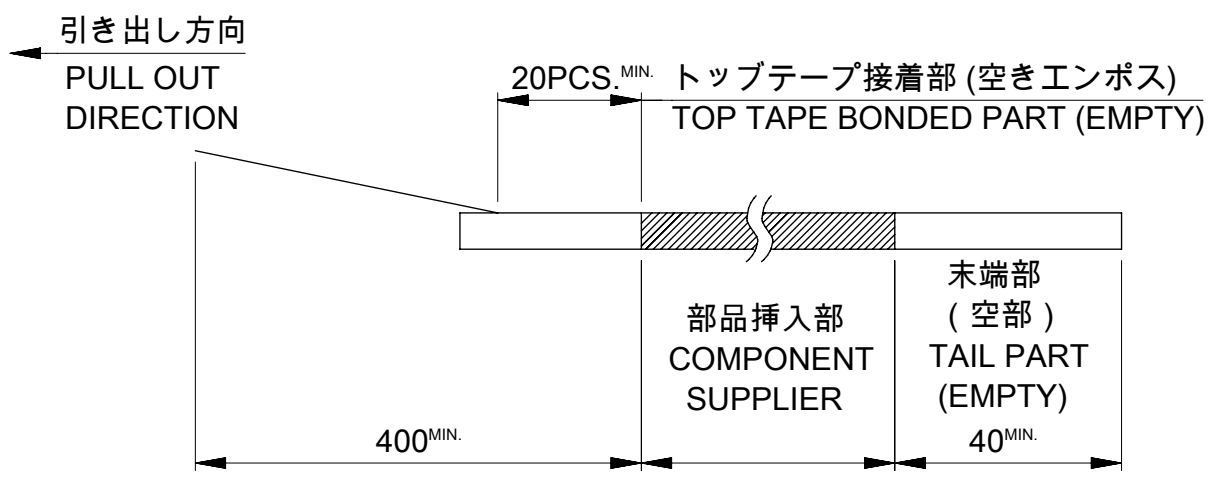
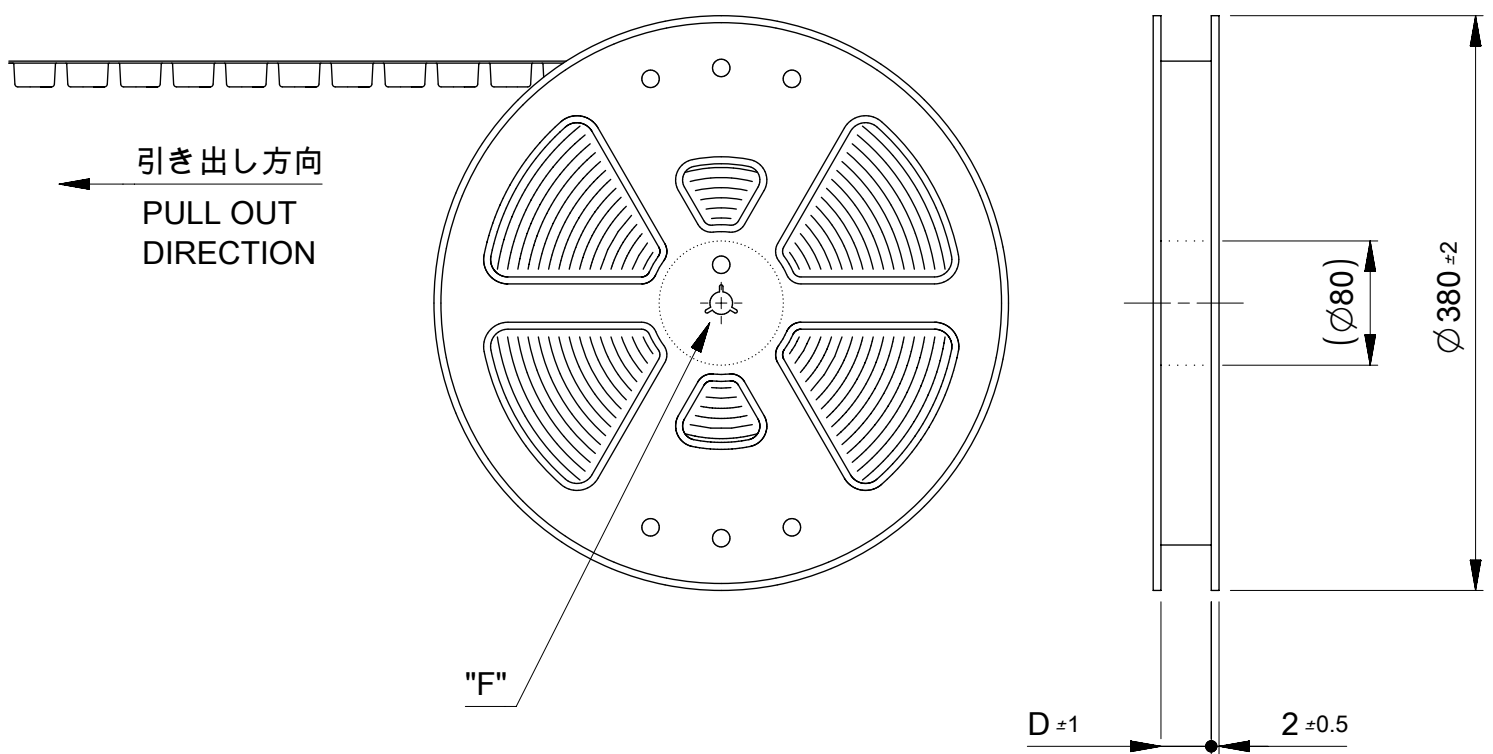


嵌合断面図 (参考)
MATED DRAWING (REF.)



参考基板レイアウト (マウント面)
RECOMMENDED P.C.BOARD
PATTERN DIMENSION (REF.)
(MOUNTING AREA) (SCALE 10:1)

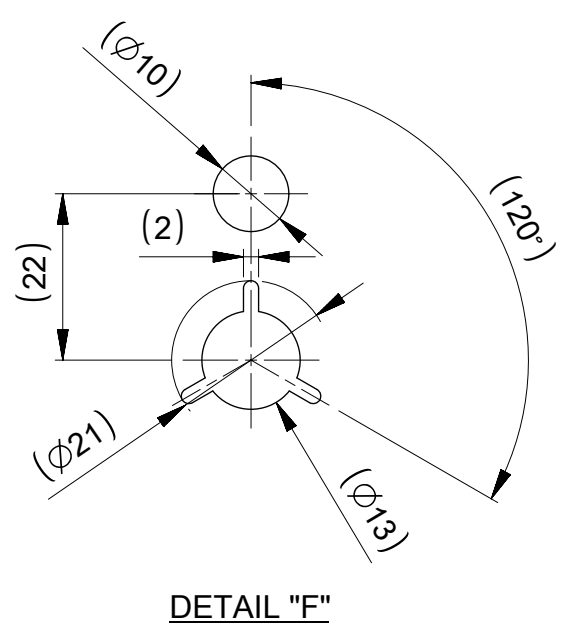
THIS DRAWING CONTAINS INFORMATION THAT IS PROPRIETARY TO MOLEX ELECTRONIC TECHNOLOGIES, LLC AND SHOULD NOT BE USED WITHOUT WRITTEN PERMISSION		CURRENT REV DESC: REVISED		molex	
0.5 MM PITCH B-TO-B CONN. HEIGHT = 4 PLUG		PRODUCT CUSTOMER DRAWING			
GENERAL TOLERANCES (UNLESS SPECIFIED)		EC NO: 642297		DOCUMENT NUMBER	
ANGULAR TOL ± 10°		DRWN: SUDAYGUNAGI		DOC TYPE	
4 PLACES ± 0.2		2020/08/10		DOC PART	
3 PLACES ± 0.25		2020/11/30		REVISION	
2 PLACES ± 0.3		CHK'D: HSHIMUYAMA		SD-501920-001	
1 PLACE ± 0.1		APPR: SHOSHIKAWA		PSD 001 C	
0 PLACES ±		INITIAL REVISION:		MATERIAL NUMBER	
ANGULAR ±1°		DRWN: M. I SOGAYA		CUSTOMER	
DRAFT WHERE APPLICABLE MUST REMAIN WITHIN DIMENSIONS		2005/08/17		SEE SHEET 1	
DRAFT WHERE APPLICABLE MUST REMAIN WITHIN DIMENSIONS		2005/08/17		GENERAL	
THIRD ANGLE PROJECTION		DRAWING		SHEET NUMBER	
A3-SIZE		SERIES		2 OF 2	
501920		MATERIAL NUMBER			
SEE SHEET 1		CUSTOMER			
GENERAL					



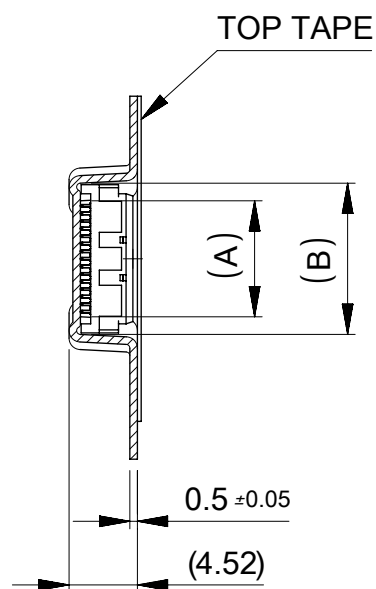
NOTES

- 製品詳細寸法については、製品単体図面を参照下さい。
DETAIL DIMENSIONS, SEE SD-501920-001
- 梱包数量：1500個 / リール
NUMBER OF CONNECTORS : 1500PCS/REEL
- リードテープ長さ
LEAD TAPE LENGTH

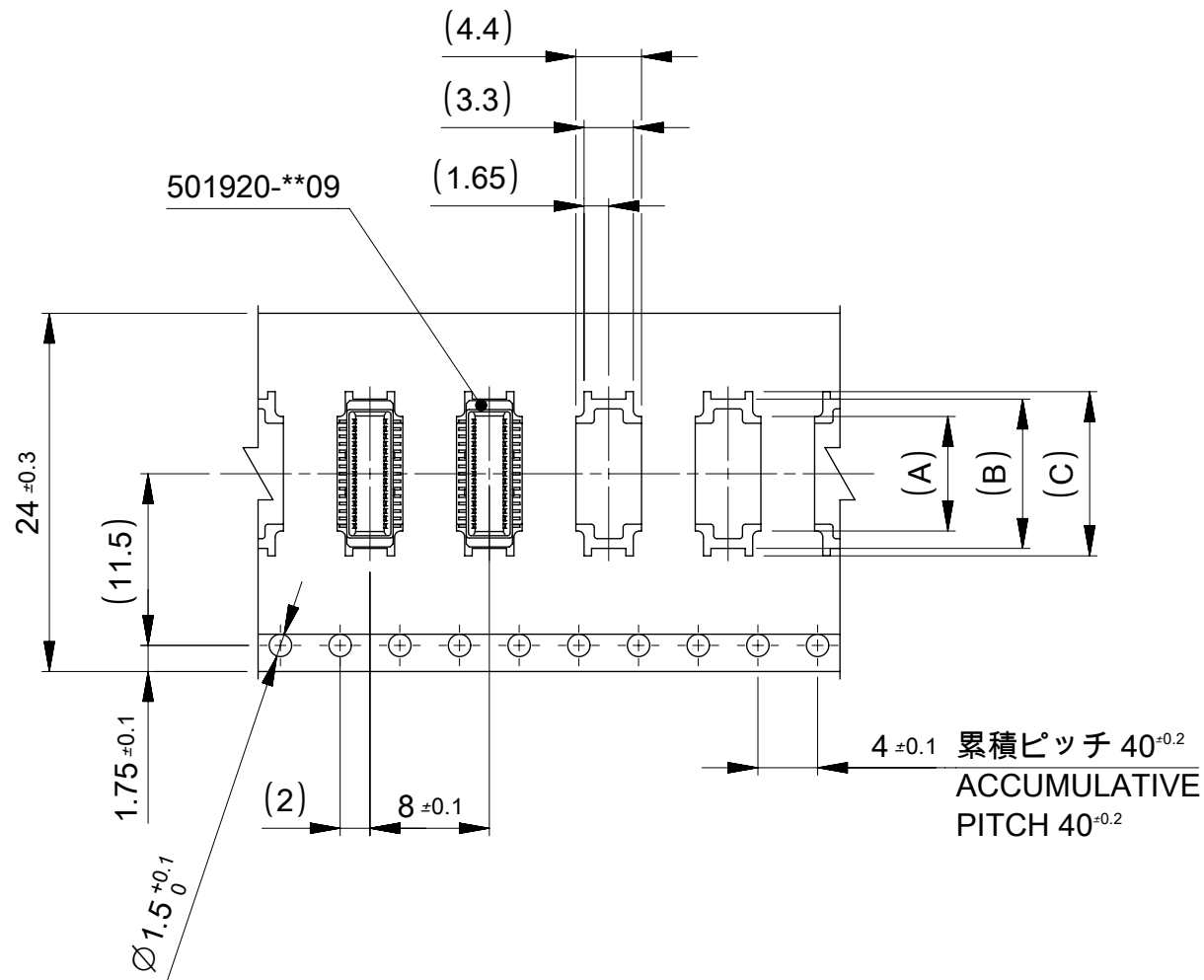
- カバートープの剥離強度については、IEC60286-3に準拠
COVER TAPE PEEL FORCE IS DEFINED BY IEC60286-3.
- 材料 MATERIAL
キャリアテープ：ポリプロピレン
トップテープ：PET, PE, PEF
リール：ポリスチレン (PS) <リサイクル材を含む>
CARRIER TAPE : POLYPROPYLENE
TOP TAPE : PET, PE, PEF
REEL : POLYSTYREN(PS) <RECYCLE MATERIAL CONTANED>
- ELV AND RoHS COMPLIANT.



THIS DRAWING CONTAINS INFORMATION THAT IS PROPRIETARY TO MOLEX ELECTRONIC TECHNOLOGIES, LLC AND SHOULD NOT BE USED WITHOUT WRITTEN PERMISSION		CURRENT REV DESC: REVISED		molex	
DIMENSION UNITS	SCALE	EC NO: 649457			
mm	---	DRWN: SUDAYGUNAGI 2020/08/10		PRODUCT CUSTOMER DRAWING	
GENERAL TOLERANCES (UNLESS SPECIFIED)		CHK'D: HSHIMOYAMA 2020/12/02			
ANGULAR TOL ± 10°		APPR: SHOSHIKAWA 2020/12/02		DOCUMENT NUMBER	
4 PLACES ± 0.2		INITIAL REVISION:		SD-501920-002	
3 PLACES ± 0.25		DRWN: M. I SOGAYA 2005/08/18		DOC TYPE	
2 PLACES ± 0.3		APPR: M. SASAO 2005/08/18		PSD	
1 PLACE ± 0.1		SERIES		001	
0 PLACES ±		501920		C	
DRAFT WHERE APPLICABLE MUST REMAIN WITHIN DIMENSIONS		THIRD ANGLE PROJECTION		SHEET NUMBER	
DRAFT WHERE APPLICABLE MUST REMAIN WITHIN DIMENSIONS		DRAWING		1 OF 2	
DRAFT WHERE APPLICABLE MUST REMAIN WITHIN DIMENSIONS		A3-SIZE		GENERAL	
DRAFT WHERE APPLICABLE MUST REMAIN WITHIN DIMENSIONS		MATERIAL NUMBER		CUSTOMER	
DRAFT WHERE APPLICABLE MUST REMAIN WITHIN DIMENSIONS		SEE SHEET 2		GENERAL	



引き出し方向
PULL OUT
DIRECTION



24mm 幅キャリアテープ
24mm WIDTH CARRIER TAPE

24	25.4	16.0	15.0	12.67	501920-5001	50
		13.5	12.5	10.17	501920-4001	40
		11.0	10.0	7.67	501920-3001	30
キャリアテープ幅 CARRIER TAPE WIDTH	D	(C)	(B)	(A)	MATERIAL NO.	CIRCUIT

THIS DRAWING CONTAINS INFORMATION THAT IS PROPRIETARY TO MOLEX ELECTRONIC TECHNOLOGIES, LLC AND SHOULD NOT BE USED WITHOUT WRITTEN PERMISSION

DIMENSION UNITS mm		SCALE ---	CURRENT REV DESC: REVISED		molex	
GENERAL TOLERANCES (UNLESS SPECIFIED)		ANGULAR TOL ± 10°		0.5 MM PITCH B-TO-B CONN. HEIGHT = 4 PLUG EMBOSS TAPE PACKAGE		
GENERAL TOLERANCES (UNLESS SPECIFIED)		ANGULAR TOL ± 10°		EC NO: 649457		PRODUCT CUSTOMER DRAWING
4 PLACES ± 0.2		3 PLACES ± 0.25		DRWN: SUDAYGUNAGI 2020/08/10		
10 ^{UNDER} ± 0.2		2 PLACES ± 0.3		CHK'D: HSHIMOYAMA 2020/12/02		DOCUMENT NUMBER SD-501920-002
10 ^{OVER} ± 0.25		1 PLACE ± 0.1		APPR: SHOSHIKAWA 2020/12/02		
30 ^{OVER} ± 0.3		0 PLACES ±		INITIAL REVISION:		DOC PART 001
ANGULAR ± 1°		DRAFT WHERE APPLICABLE MUST REMAIN WITHIN DIMENSIONS		DRWN: M. I SOGAYA 2005/08/18		REVISION C
DRAFT WHERE APPLICABLE MUST REMAIN WITHIN DIMENSIONS		THIRD ANGLE PROJECTION		APPR: M. SASAO 2005/08/18		SHEET NUMBER 2 OF 2
		DRAWING A3-SIZE		SERIES 501920		
				MATERIAL NUMBER SEE TABLE		CUSTOMER GENERAL