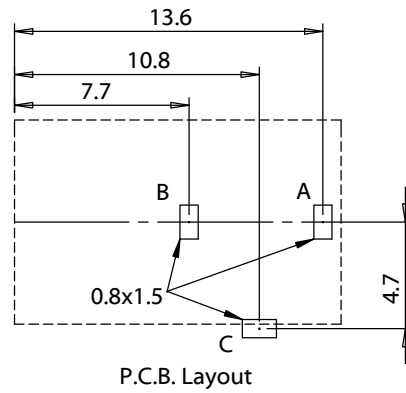
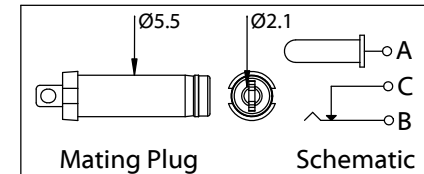


SECTION A-A

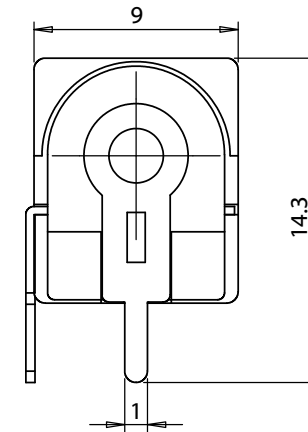
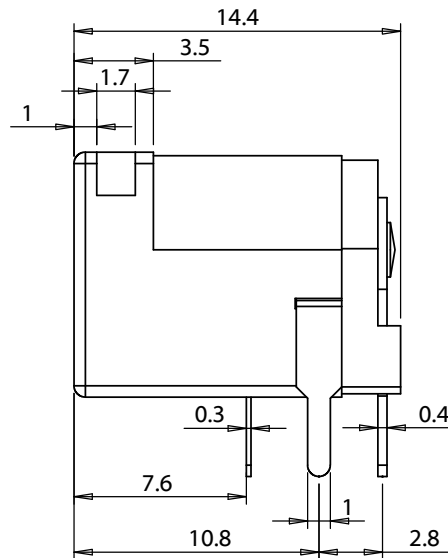
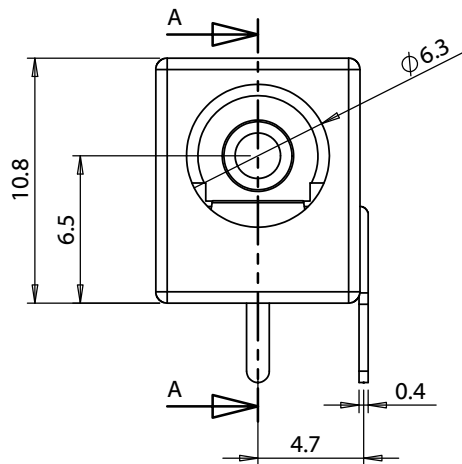


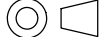
P.C.B. Layout



Mating Plug

Schematic



Revision:	Date:	Description:	Prepared:	Notes:	<h1>TENSILITY</h1> <p>tel 1.541.323.3228 800 877.670.7118 fax 1.541.323.4202 web tensility.com</p>
A	9/26/2018	Initial release	Verified:		
			Dimensions are in millimeters. Tolerances: < 1.0: ± 0.1 mm 1.0 to 10.0: ± 0.2 mm > 10.0: ± 0.3 mm	Description:	Size: Part number:
				Connector, dc jack 5.5x2.1 mm, PCB mount, 90°, silver plated, thru hole	A 54-00133
					Scale: 3:1  Sheet 1 of 2

