

THIS DRAWING IS UNPUBLISHED.

RELEASED FOR PUBLICATION

ALL RIGHTS RESERVED.

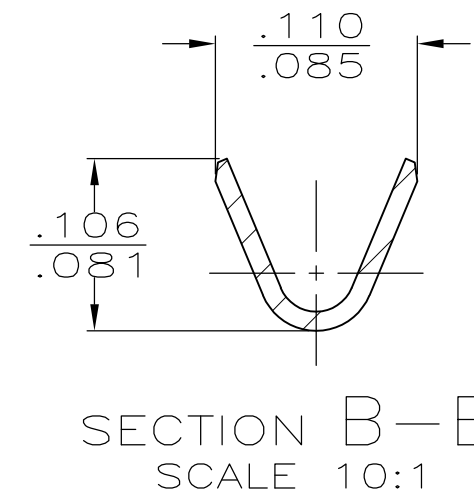
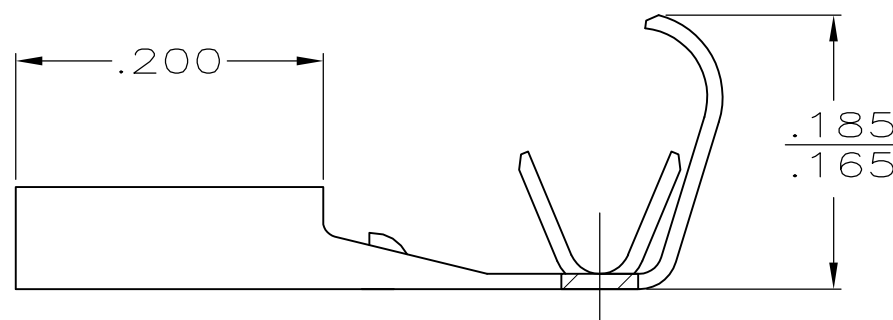
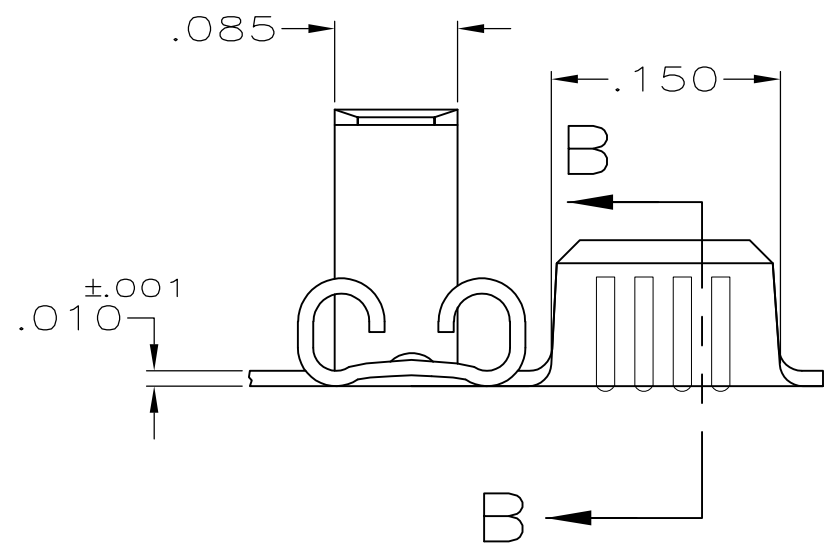
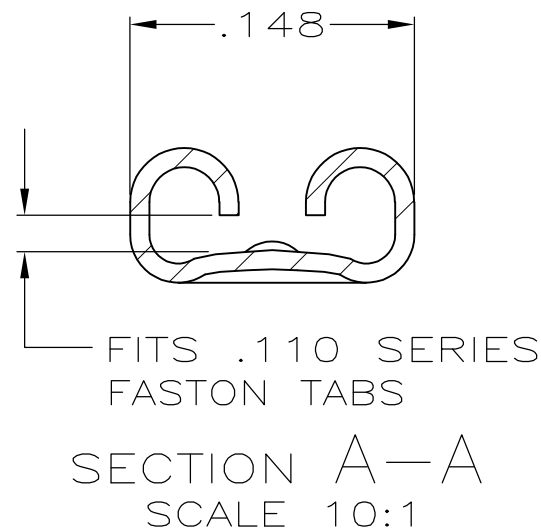
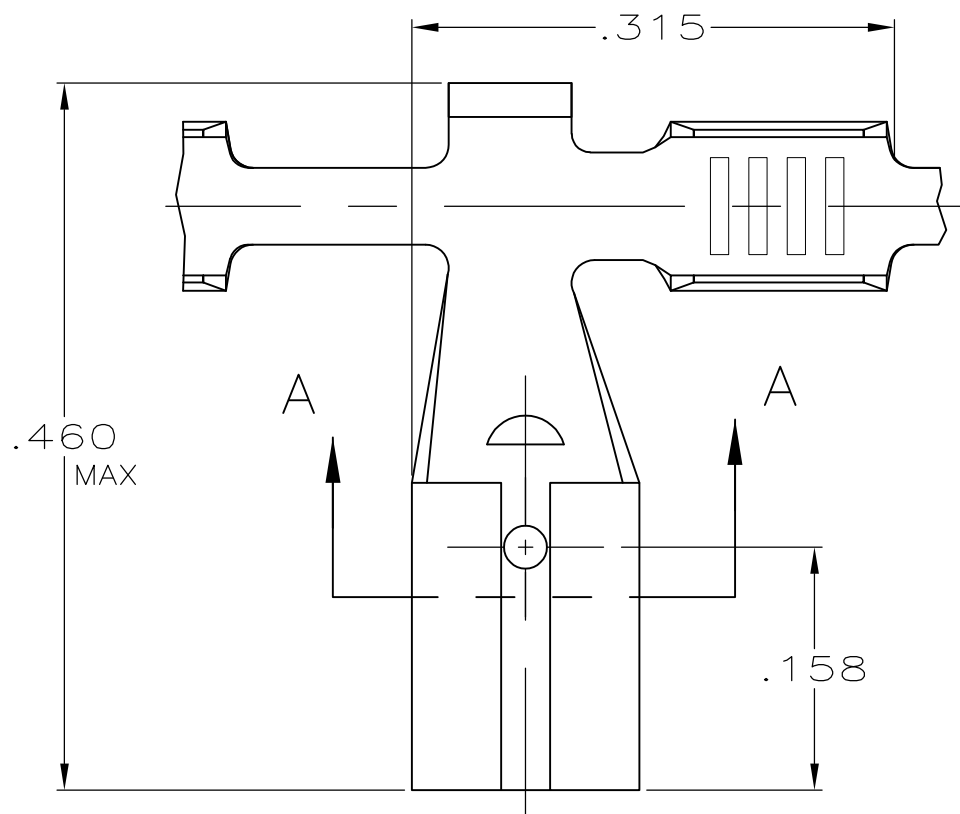
© COPYRIGHT - By -

LOC AF DIST 50


REVISIONS

P	LTR	DESCRIPTION	DATE	DWN	APVD
	C	REVISED PER ECR-12-013459	28NOV2012	KH	PD

1 CONTINUOUS STRIP ON REELS



.065-.100 DIA	22-18 AWG	.016	61459-1
INSULATION RANGE	WIRE SIZE	MATING TAB THK ±.001	PART NO.

THIS DRAWING IS A CONTROLLED DOCUMENT.		DWN JR RUTH 4/24/91	 <b>TE Connectivity</b> RECEPTACLE, FASTON, FLAG, .110 SERIES					
DIMENSIONS: INCHES		CHK MS FEHER 4/24/91				NAME		
TOLERANCES UNLESS OTHERWISE SPECIFIED:		APVD C MEYERS 4/24/91				PRODUCT SPEC		
0 PLC ± - 1 PLC ± - 2 PLC ± - 3 PLC ± .015 4 PLC ± - ANGLES ± -		APPLICATION SPEC						
MATERIAL BRASS	FINISH PRE-TIN	WEIGHT -	SIZE A3	CAGE CODE 00779	DRAWING NO C-61459	RESTRICTED TO -		
CUSTOMER DRAWING			SCALE 8:1	SHEET 1 OF 1	REV C			