

THIS DRAWING IS UNPUBLISHED.

RELEASED FOR PUBLICATION

ALL RIGHTS RESERVED.

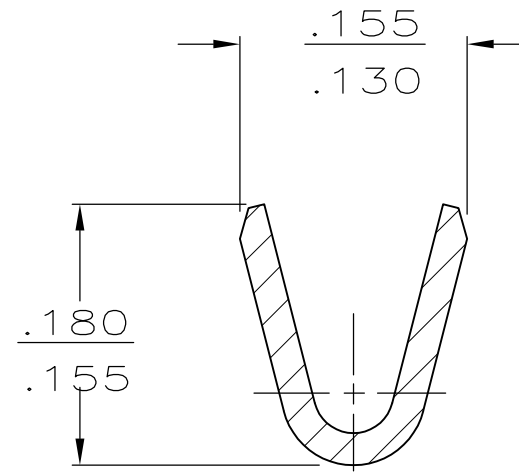
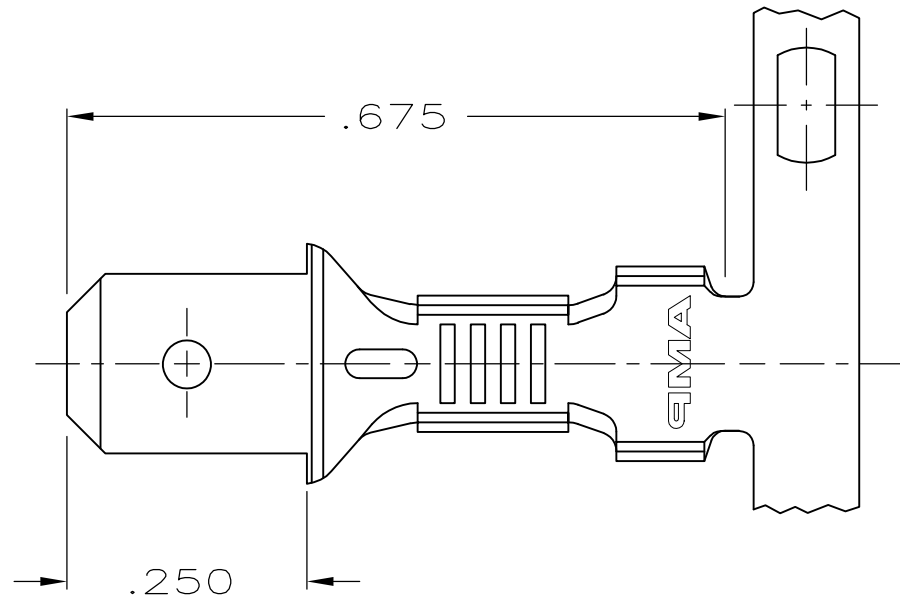
© COPYRIGHT - By -

LOC
AF

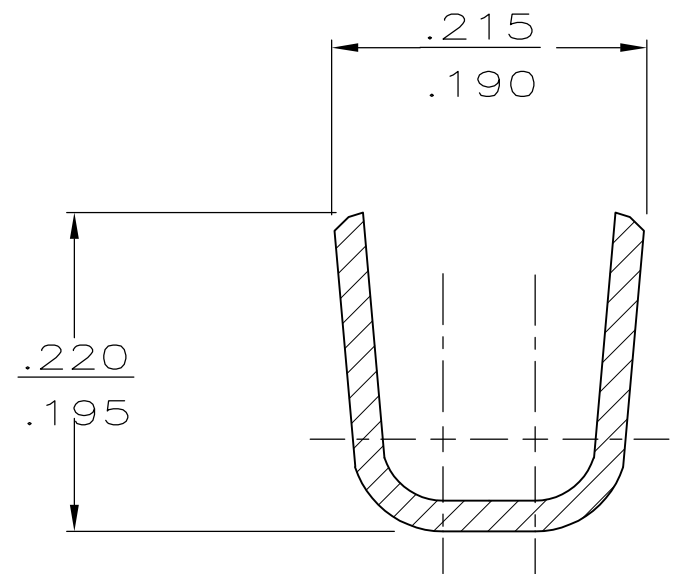
DIST
50

REVISIONS

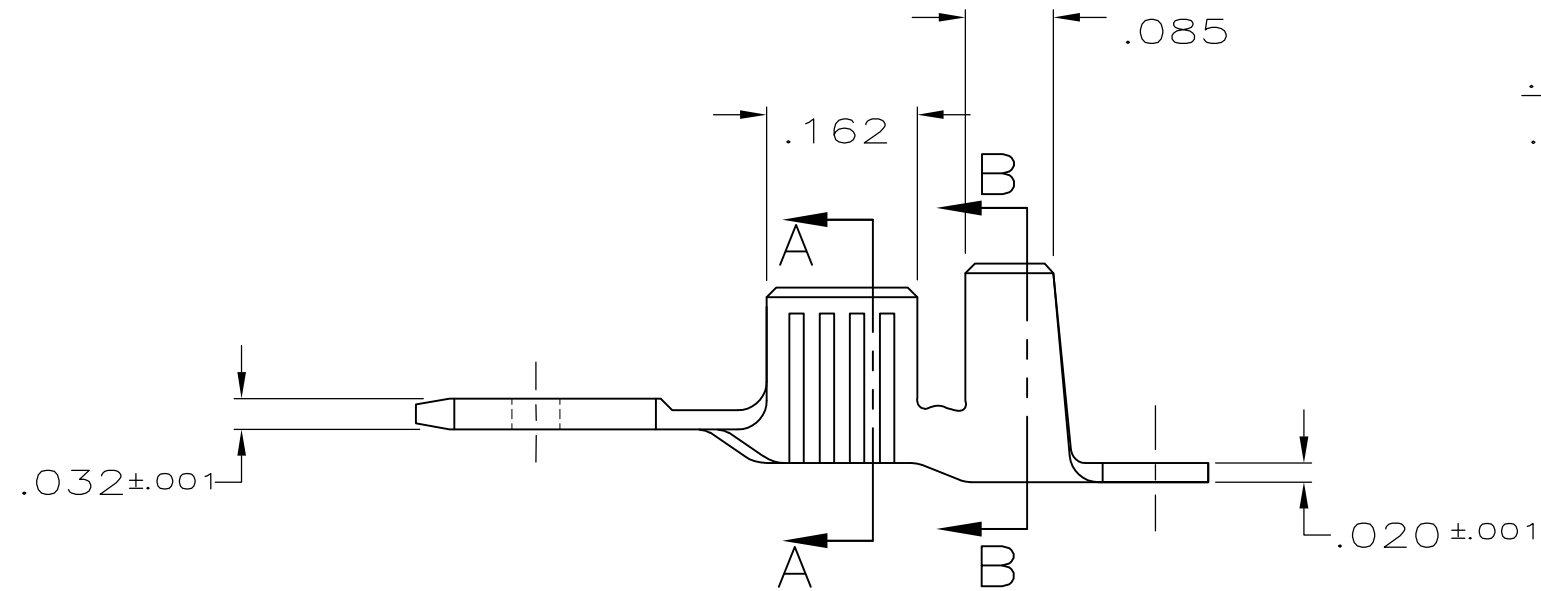
P	LTR	DESCRIPTION	DATE	DWN	APVD
	L	REVISED PER ECR-13-011489	05DEC2013	KH	PD




SECTION A-A



SECTION B-B



	TIN	18-14	.120-.150	61687-2
OBSOLETE	-			61687-1
	FINISH	WIRE SIZE	INSUL. RANGE	PART NO

THIS DRAWING IS A CONTROLLED DOCUMENT.		DWN DK SCHRUM 2-27-89	 TE Connectivity TAB, FASTON,™ .187 SERIES					
DIMENSIONS: INCHES		CHK JR RUTH 2-27-89				NAME		
TOLERANCES UNLESS OTHERWISE SPECIFIED:		APVD C MEYERS 2-27-89				SIZE		
0 PLC ± - 1 PLC ± - 2 PLC ± - 3 PLC ± .015 4 PLC ± - ANGLES ± -		PRODUCT SPEC R KUZO 2-27-89				CAGE CODE		
MATERIAL BRASS		FINISH SEE TABLE	DRAWING NO A300779 C-61687		RESTRICTED TO -			
CUSTOMER DRAWING			SCALE 5:1	SHEET 1 OF 1	REV L			