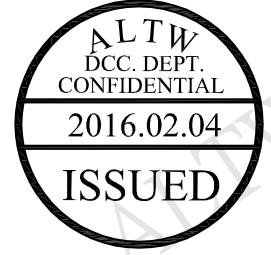
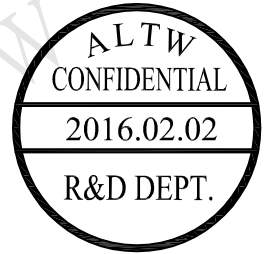
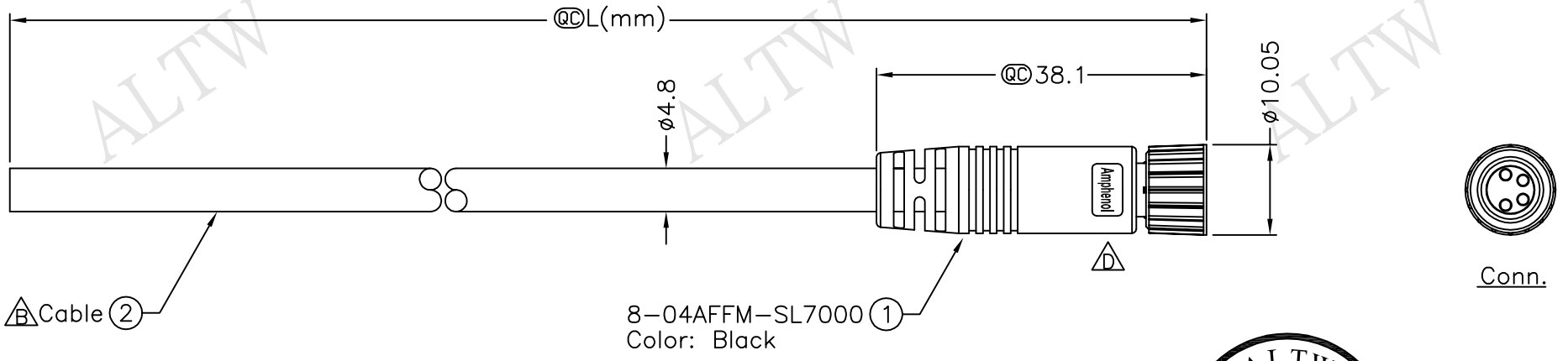
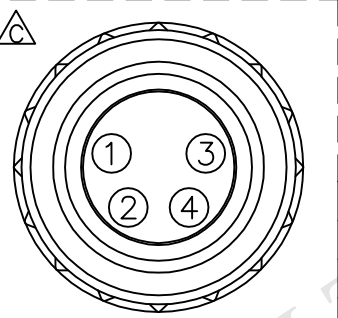


REV.	ECN NO.	DATE	SIGN	DESCRIPTION
B	LEN-770200	2007/01/12	Cloyd	Change Pin-Out & Apply New Format.
C	LEN-920226~233	2009/02/06	Vicky	Update the drawing.
D	LEN1620041~48	2016/02/02	Lodess	Add Logo.



8-04AFFM-SL7BXX  
 XX:01~99Meters  
 01:01Meter  
 02:02Meters  
 :  
 :  
 99:99Meters  
 Cable Length(L):01~99Meters

- Notes:
- \* @C Important Dimension.
  - \* Waterproof Rate:IP67.
  - \* Connector:Black,PU.
  - \* Female Pin:Copper Alloy,Gold Plated.
  - \* Cable:22AWG\*4C+Insulation,Black, PU,OD=4.8mm.
  - \* Cable Length Tolerance: 01M:±40mm  
 02M~05M:±60mm  
 06M~10M:±100mm  
 11M~30M:±200mm  
 31M~99M:±500mm



Pin Assignments  
Front View

Conn.	Wire Color	Pin Out
4	Black	黑
3	Blue	藍
2	White	白
1	Brown	棕

UNIT:mm		TITLE M8 Conn
TOLERANCE ±0.5 mm		Cable Screw 4P F Conn F Pin
SCALE Free	SHEET 1 OF 1	
REV. D	SIZE A4	@C :Inspection Item

<b>Amphenol LTW</b> 安費諾亮泰企業股份有限公司	ITEM NO	DRAWN BY Lodess	DATE 2016/02/02
	DWG NO 8-04AFFM-SL7BXX	CHECKED BY Nick	DATE 2016/02/02
	CUSTOMER ALTW	APPROVED BY Lisa	DATE 2016/02/02

THIS DOCUMENT IS SUBJECT TO CHANGE WITHOUT NOTICE. IT IS CONFIDENTIAL AND A PROPERTY OF Amphenol LTW. DISCLOSURE TO THIRD PARTY HAS TO BE AUTHORIZED BY Amphenol LTW.