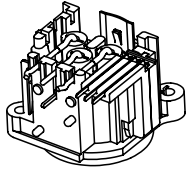
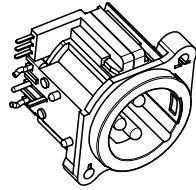
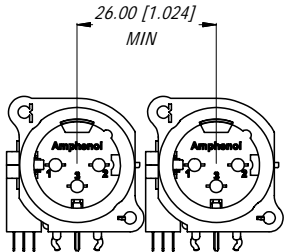


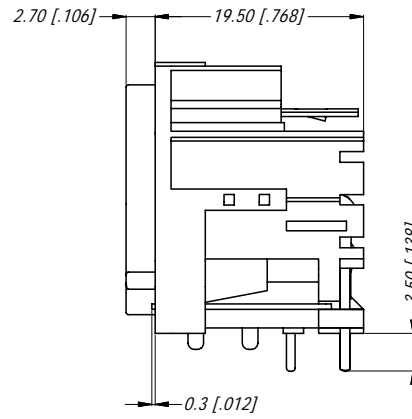
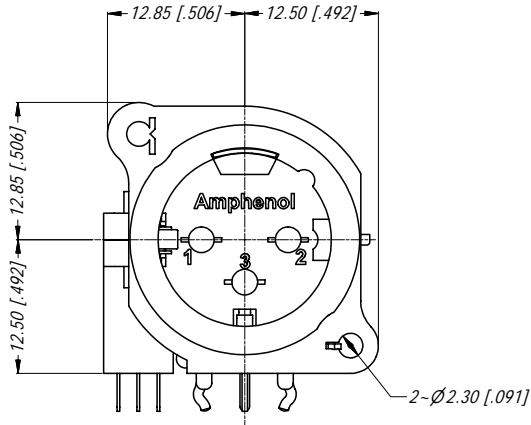
LEGEND = KEY PRODUCT CHARACTERISTICS



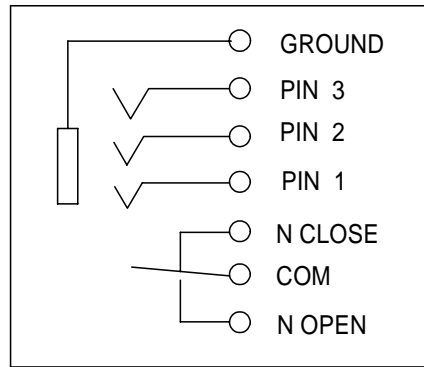
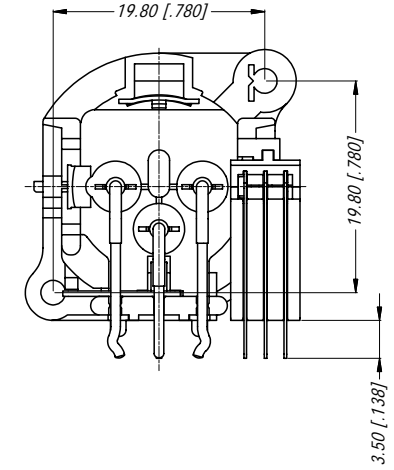
ISO VIEW
SCALE 1:1



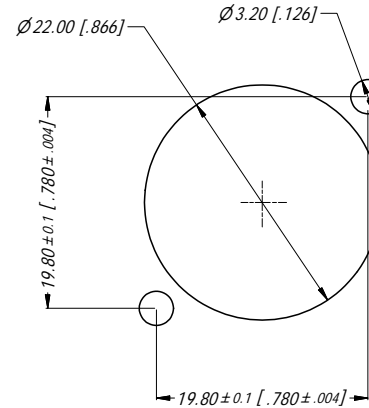
MIN MOUNTING PITCH
SCALE 1:1



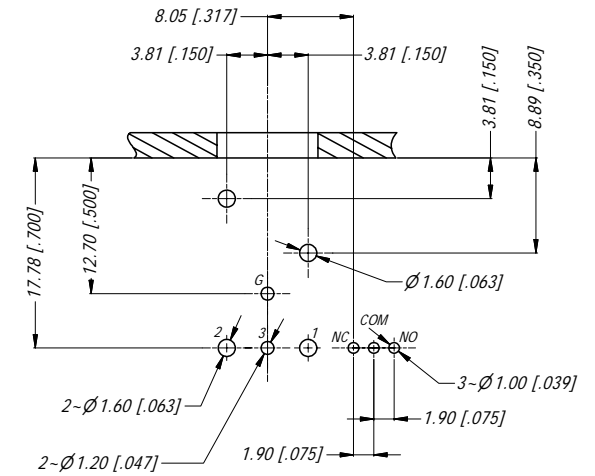
REVISION HISTORY				
REV	DESCRIPTION	DATE	BY	CHG/NO
0	FIRST ISSUE	02/06/2010	A.O	---
1	ADD THE PROTRUDING 0.3mm HEIGHT OF GROUND CONTACT	09/09/2010	A.O	8935



SCHEMATIC CHART



PANEL CUT OUT
REAR VIEW



PCB-LAYOUT
COMPONENT SIDE
TOLERANCE: ±0.05mm [0.002"]

UNLESS OTHERWISE SPECIFIED TOLERANCE TO BE		THIS DOCUMENT IS THE PROPERTY OF AMPHENOL AUSTRALIA PTY. LTD. NO PART THEREOF MAY BE REPRODUCED AND USED WITHOUT THE PRIOR WRITTEN CONSENT OF THE OWNER			Amphenol Amphenol Australia Pty. Ltd. 2 Fiveways Blvd, Keysborough, VIC 3173	
LINEAR	ANGULAR	MATERIAL:	DRN: A.O	DATE: 06/04/10	TITLE:	PART NO:
X ±0.5 XX ±0.1 XXX ±0.05	X° ±1 X.X° ±30 X.XX° ±15	REFER TO COMPONENT	CKD: M.H	DATE: 09/09/10	AC3MAH4-SW-B	AC3MAH4-SW-B
BREAK ALL SHARP EDGES AND REMOVE ALL BURRS		FINISH: REFER TO COMPONENT	APP'D: P.M	DATE: 09/09/10	CUSTOMER DRAWING	DRAWING NO.
DO NOT SCALE		SCALE: 1:1		SIZE: A3	CAD FILE: 55010665000221	SHEET 2/2
DIMENSIONS IN MILLIMETRES		THIRD ANGLE PROJECTION				