

AIW-346

Pre-carrier Certified Embedded 4G LTE Cat 4 Modem



Features

- 4G/LTE Cat 4 and FDD-LTE/WCDMA
- LTE FDD:150Mbps DL/50Mbps UL (Cat 4)
- LTE TDD:130Mbps DL/30.5Mbps UL (Cat 4)
- Supports wide operating temperatures -30 ~ 80 °C (-22 ~ 176 °F)
- Pre-carrier certified modem: AT&T and Verizon
- Provides GPS functionality
- Driver ready on Windows 10 and Linux (RNDIS supported)

Specifications

Main Chipset	QUALCOMM MDM9607
Antenna	2 x I-PEX connector for external LTE antenna 1 x I-PEX connector for external GPS antenna
Band	LTE Band: B2, B4, B5, B12, B13, B14, B66, and B71 WCDMA Band: B2, B4, B5 GNSS
Data Throughput	Cat-4 LTE (150Mbps DL, 50Mbps UL)
Interface	USB 2.0 / UART board-to-board connector
Operation Voltage	DC 3.3/5V through board-to-board connector
O/S supported	Supports drivers for Windows 10 and Linux
Temperature Ranges	-30 ~ 80 °C (-22 ~ 176 °F)
Dimensions (L x W x H) (Top Layer)	L x W x H: 50 x 31 x 7.5 mm 1.96 x 1.23 x 0.3 in

Ordering Information

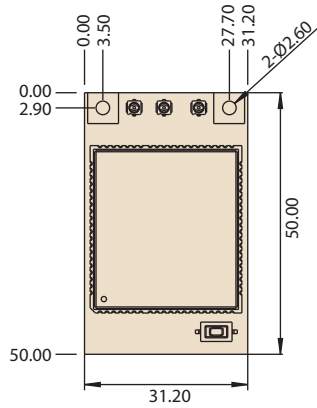
Part No.	Product Description
AIW-346 FQ-N01	4G communication modem, USB only for data transmission, with mPCIe adapter 2* screws and 2* studs
AIW-346 FQ-N02	4G communication modem, USB only for data transmission, with M.2 3052 adapter 3* screws

Recommended Antennas and Cables

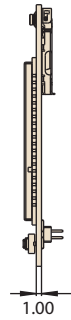
Part No.	Specifications
1750007991-01	GPS antenna 1575 MHz, Antenna 3 dBi, (Zenith) L1: 1575.42 MHz, B2: 1561.098 MHz, GNSS: 1602 MHz antenna 4.94 x 3.93 x 1.49, RHCP and SMA male (cm)
1750006264	Coaxial Cable, 15 cm/5.9 in, SMA (F) to MHF
1750006009	Coaxial Cable, 25 cm/9.84 in, SMA (F) to MHF
1750008303-01	4G/LTE full band dipole antenna, 130 mm/5.11 in

Dimensions

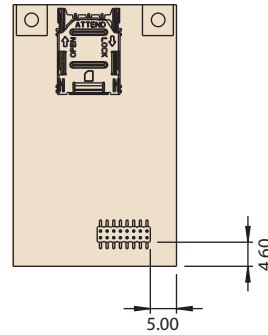
Unit: mm



Top View

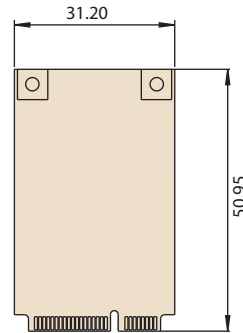
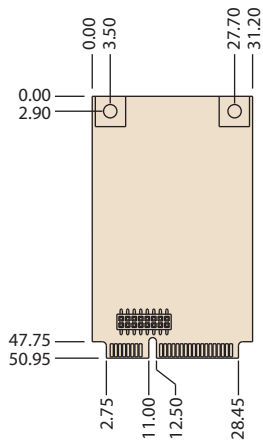


Side View

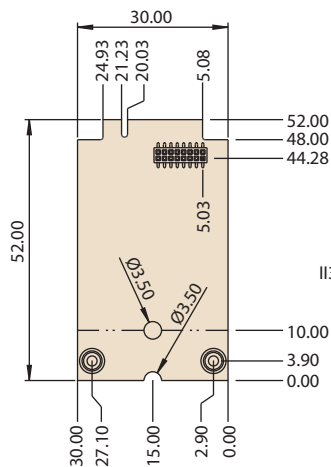


Bottom View

miniPCle Adapter



M.2 Adapter



II390YII028AI

