



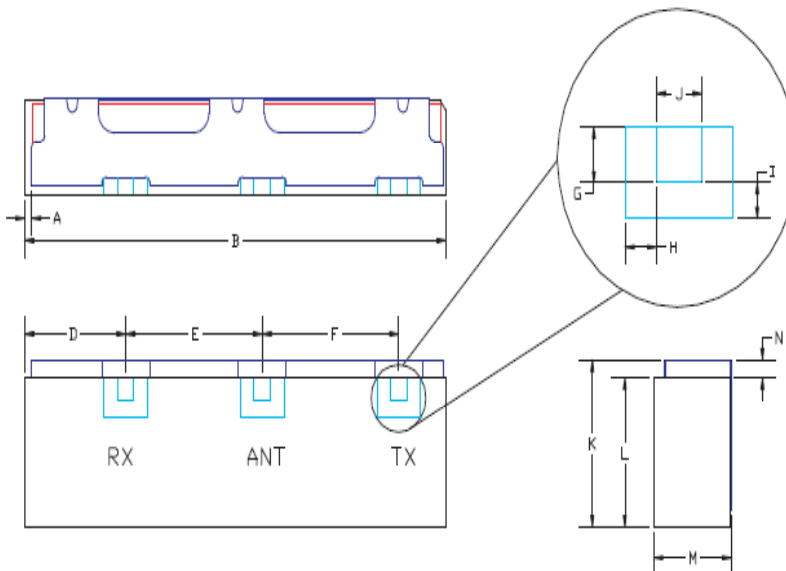
<u>Characteristics</u>	<u>Band 1</u>	<u>Band 2</u>
Passband:	880-915 MHz	925-960 MHz
Bandwidth:	35 MHz	35 MHz
Passband Return Loss:	10.5 dB min	10.5 dB min
Passband Insertion Loss:	3.8 dB max	3.9 dB max
Passband Ripple:	2.6 dB max	2.6 dB max
Input / Output Impedance:	50 Ohms	50 Ohms
Isolation:	30.5 dB min	40.5 dB min
Power Handling:	1 W max	1 W max

<u>Mechanical</u>	
Mounting Method:	SMT
Dimensions:	21.54 x 9 x 4 mm

<u>Environmental</u>	
Operating Temperature:	-40 to +70 deg.C
Storage Temperature:	-50 to +90 deg.C

This product is RoHS compliant.

Outline Drawing:



Dim	Nominal (mm)	Tolerance (mm) +/- or max
A		
B	21.54	max
C		
D	2.72	0.20
E	7.95	0.20
F	7.95	0.20
G	0.76	0.13
H	1.00	0.13
I	1.00	0.13
J	0.76	0.13
K	9.00	max
L	8.00	0.20
M	4.00	max
N	0.80	0.13



Response Plot:

