

● SPECIFICATIONS

| PARAMETER | VALUE |
|--------------------------------------|------------------------|
| NOMINAL FREQUENCY | 16.000 MHz |
| MODE OF OSCILLATION | Fundamental |
| FREQUENCY TOLERANCE AT 25°C | ±10 ppm max |
| FREQUENCY STABILITY OVER TEMPERATURE | ±15 ppm max |
| OPERATING TEMPERATURE RANGE | -20°C to +70°C |
| STORAGE TEMPERATURE RANGE | -55°C to +125°C |
| AGING | ±5 ppm per year max |
| LOAD CAPACITANCE | 20 pF |
| EQUIVALENT SERIES RESISTANCE | 40 Ω max |
| SHUNT CAPACITANCE | 6 pF max |
| DRIVE LEVEL | 100 μW typ, 500 μW max |
| INSULATION RESISTANCE | 500 MΩ min @DC 100V |
| REFLOW CONDITIONS | 260°C for 10 sec max |

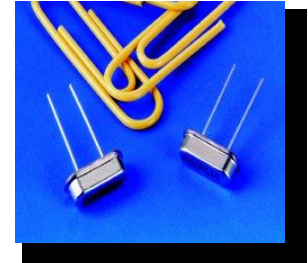
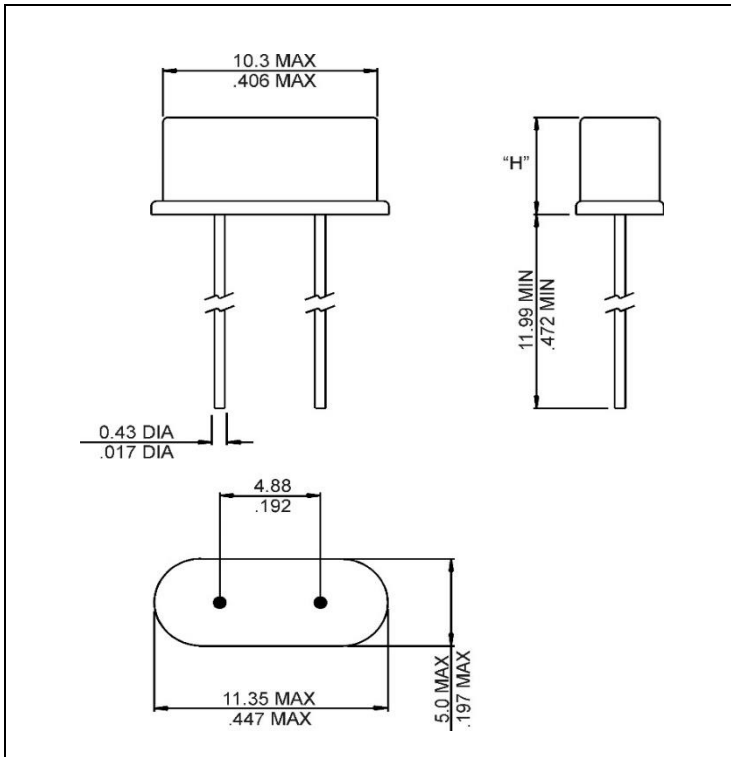


Photo is not actual part

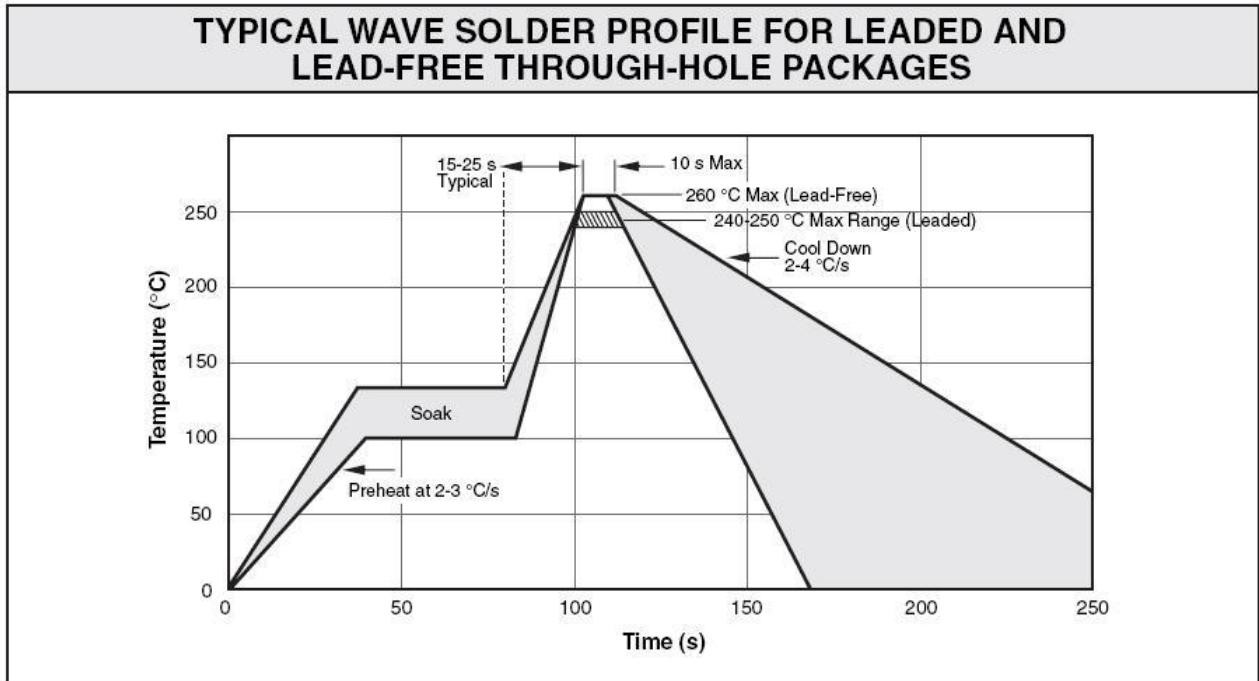
● MECHANICAL SPECIFICATION



H=3.5 mm



- REFLOW PROFILE



| Wave Solder profile | | |
|---|--------------------------------------|--------------------------------------|
| Profile Feature | SnPb eutectic | Pb-Free |
| Average ramp-up rate | ~200°C/second | ~200°C/second |
| Heating Rate during preheat | typical 1-2°/second max 4°/second | typical 1-2°/second max 4°/second |
| Final preheat temperature, T _S | ~130°C | ~130°C |
| Peak temperature, T _P | 235°C | 260°C |
| Time within +0°C / -5°C of actual temperature, t _P | 10 seconds | 10 seconds |
| Ramp-down rate | 5°C/second max. | 5°C/second max. |

- ENVIRONMENTAL

| PARAMETER | VALUE |
|----------------------------|-----------|
| MOISTURE SENSITIVITY LEVEL | 1 |
| RoHS | Compliant |
| REACH SVHC | Compliant |
| HALOGEN-FREE | Compliant |
| ESD CLASSIFICATION LEVEL | N/A |
| TERMINATION FINISH | Sn |





A RAMI TECHNOLOGY Company

MARKING

R160xAyw

x – Internal Production ID code
y – Year code
w – Week code

| YEAR CODE | |
|-----------|------|
| Year | Code |
| 2015 | 5 |
| 2016 | 6 |
| 2017 | 7 |
| 2018 | 8 |
| 2019 | 9 |
| 2020 | 0 |
| 2021 | 1 |
| 2022 | 2 |
| 2023 | 3 |
| 2024 | 4 |
| 2025 | 5 |

| ALPHA WEEK CODE TABLE | | | | | |
|-----------------------|------|------|------|------|------|
| Week | Code | Week | Code | Week | Code |
| 1 | a | 19 | s | 37 | K |
| 2 | b | 20 | t | 38 | L |
| 3 | c | 21 | u | 39 | M |
| 4 | d | 22 | v | 40 | N |
| 5 | e | 23 | w | 41 | O |
| 6 | f | 24 | x | 42 | P |
| 7 | g | 25 | y | 43 | Q |
| 8 | h | 26 | z | 44 | R |
| 9 | i | 27 | A | 45 | S |
| 10 | j | 28 | B | 46 | T |
| 11 | k | 29 | C | 47 | U |
| 12 | l | 30 | D | 48 | V |
| 13 | m | 31 | E | 49 | W |
| 14 | n | 32 | F | 50 | X |
| 15 | o | 33 | G | 51 | Y |
| 16 | p | 34 | H | 52 | Z |
| 17 | q | 35 | I | | |
| 18 | r | 36 | J | | |

APPROVAL

| | |
|--------------|--|
| DRAWN BY: | Initial Release, August 31, 2012 |
| APPROVED BY: | FP, August 31, 2012 |
| REVISION: | A, Initial Release B, Updated to current spec levels by YLi, May 12, 2020 |

Raltron Electronics / RAMI Technology USA, LLC, including its affiliates, employees, agents and other persons acting on its behalf (collectively Raltron/RAMI Tech), disclaim any and all liability for any errors or inaccuracies contained in this data sheet. While Raltron/RAMI Tech has made every reasonable effort ensure the accuracy of all product information, specifications and data contained herein, Raltron/RAMI Tech does not guarantee that the information is accurate, reliable or current. The product information is provided only for reference purposes only and is subject to change, correction or revision, at any time without notice. Raltron/RAMI Tech does not assume any liability arising out of an application or use of any product described herein and disclaims any warranties expressed or implied. The user of products in such applications shall assume all risks of such use and will agree to hold Raltron/RAMI Tech, harmless against all damages.

Copyright © 2016, Raltron Electronics / RAMI Technology USA, LLC. All rights reserved. No part of this document may be reproduced in any form without the prior written permission of Raltron Electronics / RAMI Technology USA, LLC.