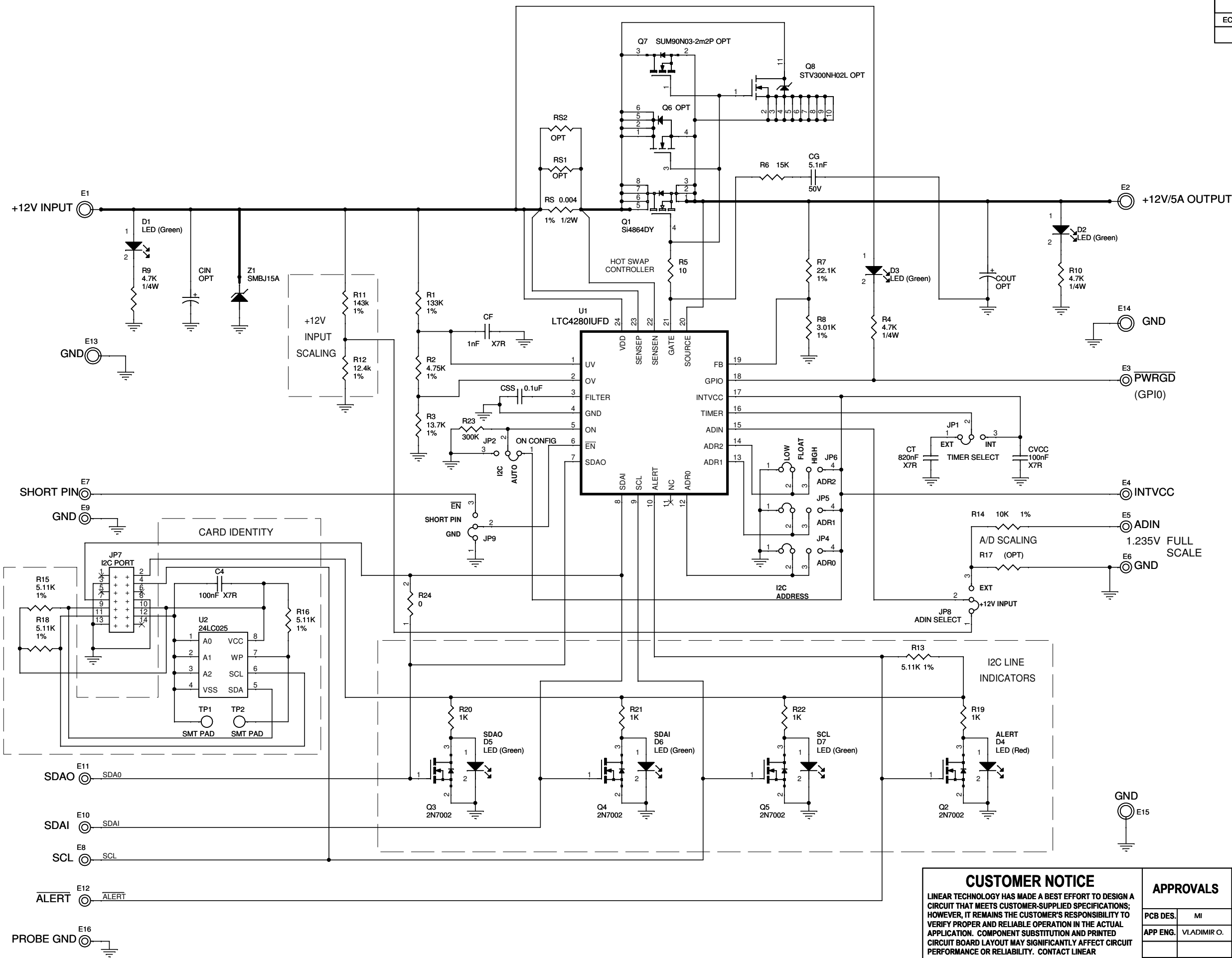



REVISION HISTORY				
ECO	REV	DESCRIPTION	DATE	APPROVED
	1	FIRST PROTOTYPE	06/07/10	VLADIMIR O.



CUSTOMER NOTICE		APPROVALS		 1630 McCarthy Blvd. Milpitas, CA 95035 Phone: (408)432-1900 www.linear.com Fax: (408)434-0507 LTC Confidential-For Customer Use Only
LINEAR TECHNOLOGY HAS MADE A BEST EFFORT TO DESIGN A CIRCUIT THAT MEETS CUSTOMER-SUPPLIED SPECIFICATIONS; HOWEVER, IT REMAINS THE CUSTOMER'S RESPONSIBILITY TO VERIFY PROPER AND RELIABLE OPERATION IN THE ACTUAL APPLICATION. COMPONENT SUBSTITUTION AND PRINTED CIRCUIT BOARD LAYOUT MAY SIGNIFICANTLY AFFECT CIRCUIT PERFORMANCE OR RELIABILITY. CONTACT LINEAR TECHNOLOGY APPLICATIONS ENGINEERING FOR ASSISTANCE.		PCB DES.	MI	
		APP ENG.	VLADIMIR O.	
		SCALE	NONE	
THIS CIRCUIT IS PROPRIETARY TO LINEAR TECHNOLOGY AND SUPPLIED FOR USE WITH LINEAR TECHNOLOGY PARTS.		TITLE: SCHEMATIC 60W POSITIVE 12V HOT SWAP CONTROLLER w/CURRENT AND VOLTAGE MONITOR		
SIZE	N/A	IC NO.	LTC4280IUFD	
REV.	1	DATE	Tuesday, March 15, 2011	
		SHEET 1 OF 1		