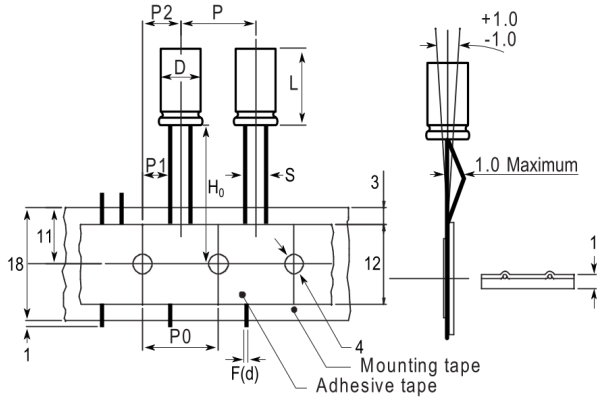


Straight Leads Diameter > 8
Lead and packaging code EA and KA



Note: '(j)' correspond to the letters used in the product bulletin

Click [here](#) for the 3D model.

Dimensions

D	13mm +/-0.5mm
L	20mm +2.0mm
S	5mm +/-0.5mm
LL Negative	15mm MIN
LL Positive	20mm MIN
F	0.6mm NOM

Packaging Specifications

Packaging	Ammo
Packaging Quantity	500

General Information

Series	ESE
Dielectric	Aluminum Electrolytic
Description	Single Ended, Aluminum Electrolytic
RoHS	Yes
Lead	Wire Leads
AEC-Q200	No

Specifications

Capacitance	470 uF
Capacitance Tolerance	20%
Voltage DC	63 VDC, 79 VDC (Surge)
Temperature Range	-40/+105°C
Rated Temperature	105°C
Life	1000 Hrs
Dissipation Factor	10% 120Hz 20C
Ripple Current	700 mAmps (120Hz 105C)
Leakage Current	296.1 uA (2min 20°C)
Impedance Ratio at -25C	3
Impedance Ratio at -40C	3