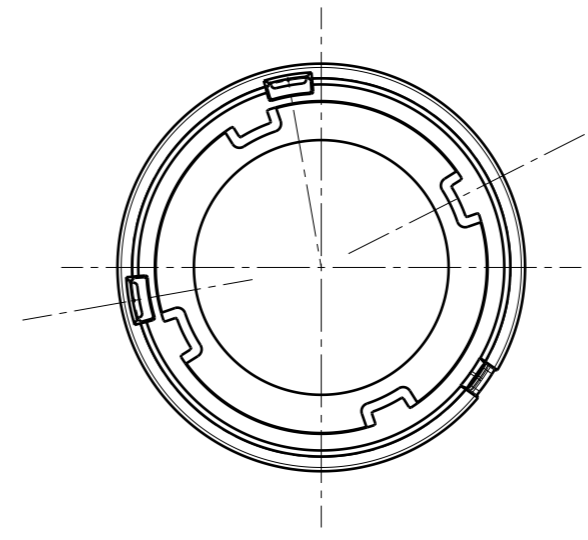
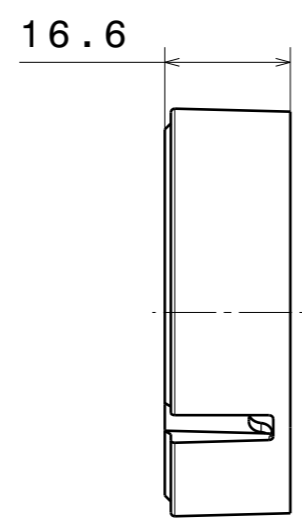
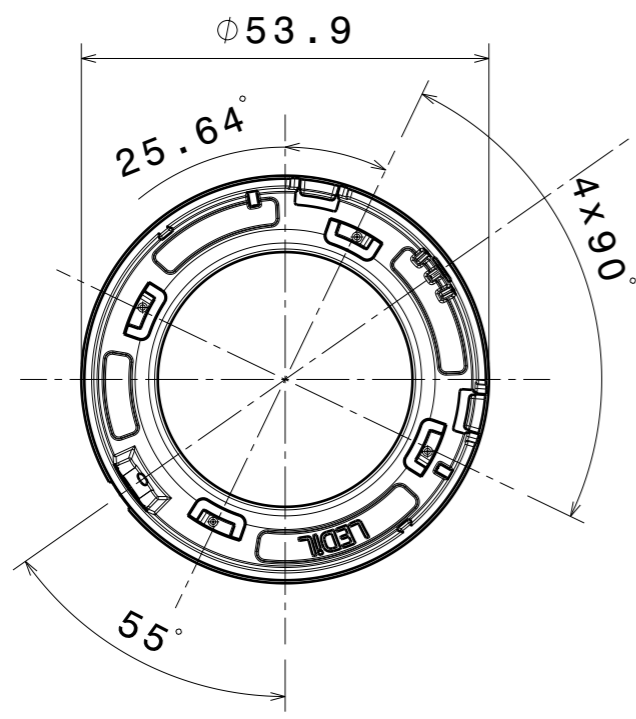


H G F E D C B A

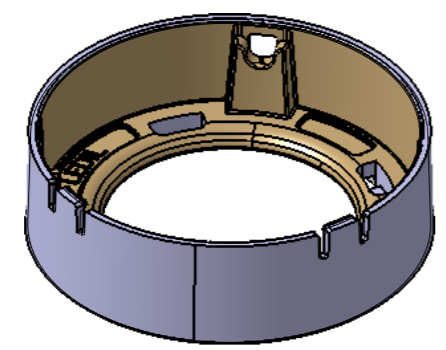
4

4



3

3



Isometric view (2:1)

2

2

1

1

INDEX	PART NO	DESCRIPTION	MATERIAL	COLOUR
1	F15635	Ronda-HLD-C	PC	white

Tolerances if not otherwise shown
 According to DIN ISO 2768-1
 Linear measures:
 Up to 30mm class M, otherwise class C.
 According to DIN ISO 2768-2
 Form and position: class L

LEDiL LediL Oy
 Salorankatu 10
 FIN 24240 SALO
 Finland

THIRD ANGLE PROJECTION:

DRAWING TITLE
F15635_Ronda-HLD-C

This drawing is the property of LEDiL Oy. It may not be reproduced, copied or communicated without a written agreement with LEDiL Oy.

SIZE	PART NUMBER
A3	F15635

SCALE	1:1	WEIGHT	8,4 g	SHEET	1/1
-------	-----	--------	-------	-------	-----

H G F E D C B A