

IS31LT3117 53V, 350MA, 4-CHANNEL CONSTANT CURRENT REGULATOR WITH OTP

DESCRIPTION

The IS31LT3117 is a 4-channel, linear regulated, constant current LED driver which can sink 4 equal currents of up to 350mA per channel to drive high brightness LEDs over an input voltage range of 6V to 53V, while maintaining an output leakage current of less than 1uA. The sink current is easily programmed using a single external resistor. The current sinks of the IS31LT3117 may be connected in parallel to allow greater than 350mA of LED current, ie, all four VLEDx pins tied together for a maximum 1.4A sink available for one LED string. See limitations in the LED CURRENT SETTING section.

The IS31LT3117 also features a PWM input to enable simple dimming control using a digital control signal.

FEATURES

- 6V to 53V input supply voltage range
- Up to 1.4A total sink current
- Over temperature protections
- Thermal current regulation above 130°C
- Sink current matching 3% between channels
- PWM dimming and Shutdown control input
- Very few external components

QUICK START



Figure 1: Photo of IS31LT3117 Evaluation Board

RECOMMENDED EQUIPMENT

- 6.0V~53V, 2A DC power supply
- One digital voltmeter
- Four series-connected HB LED strings rated no less than 100mA
- A current probe to measure the HB LED current

ABSOLUTE MAXIMUM RATINGS

- $\leq 53V$ power supply

Caution: Do not exceed the conditions listed above, otherwise the board will be damaged.

EVALUATION BOARD OPERATION

The evaluation board is configured to operate each HBLED string (CHx) at 100mA. The operating current is set by the resistor value at IS31LT3117 pin 8. See "LED CURRENT SETTING" section of the datasheet for guidance in calculating resistor values for specific currents.

PROCEDURE

The IS31LT3117 evaluation board is fully assembled and tested. Follow the steps listed below to verify board operation.

Caution: Do not turn on the power supply until all connections are completed.

- 1) Connect each HBLED string as follows:
CHx: Connect an HBLED strings cathode to the CHx of CON3 and the anode to the CON2, Where x is 1, 2, 3 and 4.
Unused CHx inputs should be connected to GND.
- 2) Calculate the VCC, recommended value is 0.5V to 1V higher than the sum of the LED string's total forward voltage drop.
For example, if the LED string's total forward voltage is 9V@100mA, the recommended VCC is 10V.

Note: Selecting an input voltage much higher than the LED string's total forward voltage will cause a high IS31LT3117 power dissipation which may lead to device shutdown.

- 3) Insert the current probe between the CHx terminal (CON3) and the cathode of the CHx LED string to measure the HBLED current
- 4) JP1 is used to configure the PWM signal input mode. When JP1 is "ON" the IS31LT3117 is enabled and no external PWM signal should be connected. When JP1 is "OFF" the IS31LT3117 must be driven by an external PWM signal source.

Caution: Always remove JP1 when driving the IS31LT3117 with an external PWM source. JP1 ON pulls up the TP1 pin to a possibly high VCC voltage that may damage the PWM signal source.

IS31LT3117 53V, 350MA, 4-CHANNEL CONSTANT CURRENT REGULATOR WITH OTP



- 5) Verify that the VCC is 10V and connect the VCC and GND to CON1.
- 6) Turn on the power supply (VCC) and measure the HBLED current using the current probe and verify all currents are equal.

ORDERING INFORMATION

Part No.	Temperature Range	Package
IS31LT3117-ZLS4-EB	-40°C ~ +125°C (Industrial Range)	eTSSOP-16, Lead-free

Table1: Ordering Information

For pricing, delivery, and ordering information, please contact Lumissil's analog marketing team at analog@Lumissil.com or (408) 969-6600

IS31LT3117 53V, 350mA, 4-CHANNEL CONSTANT CURRENT REGULATOR WITH OTP



POWER SUPPLY AND POWER DISSIPATION

The dissipation is proportional to the voltage across the LED and the sink current that can be defined as:

$$P_{LEDx} = V_{LEDSx} \times I_{OUTx}$$

Where x is 1, 2, 3 or 4. V_{LEDSx} is the total forward voltage of LEDs in series; I_{OUTx} is the current of the LED series. V_{VLEDx} is the voltage of the IS31LT3117 VLEDx pin.

The power of the IS31LT3117 can be defined as:

$$\begin{aligned} P_{3117} &= \sum_{x=1}^4 (V_{VLEDx} \times I_{OUTx}) + V_{CC} \times I_Q \\ &= \sum_{x=1}^4 (V_{CC} - V_{LEDSx}) \times I_{OUTx} + V_{CC} \times I_Q \end{aligned}$$

Assume $V_{CC}=10V$, $I_{OUTx}=0.1A$, $V_{LEDSx}=9V$, $I_Q=5mA$:

$$P_{LEDx}=9V \times 0.1A=0.9W$$

$$\begin{aligned} P_{3117} &= (10V-9V) \times 0.1A \times 4 + 10V \times 0.005A \\ &= 0.45W \end{aligned}$$

The voltage at VLEDx pin of the IS31LT3117 will be the remaining value of $V_{CC}-V_{OUTx}$, and if it is larger than 1.8V@350mA, the IC dissipation will be high which may trigger the IC over temperature protection (OTP).

LED CURRENT SETTING

The maximum sink current of all four channels (VLEDx) is set by resistor (R_{ISET}) connected from the IS31LT3117 ISET pin (8) to ground. The maximum

possible current is 350mA per VLEDx pin, however, more than one VLEDx pin can be tied together to allow for larger currents. Two combined VLEDx pins will double the available sink current for the LED string, while combining all four VLEDx pins will result in 4x the sink current for one LED string. The VLEDx sink current can be calculated by the following; $V_{ISET} = 1.27V$ (typ):

$$I_{SINKx} = 1600 \times \frac{V_{ISET}}{R_{ISET}}$$

From Figure 2, $R_{ISET}=R1//R2$, for accurate LED current, resistors should be 1% or better tolerance. More information please refers to the IS31LT3117 datasheet.

HBLED DIGITAL-DIMMING CONTROL

The JP1 connector is used for configuring the dimming function as in the table below:

JP1	Configuration Description
ON	No external PWM signal
OFF	Connect external PWM signal source

The evaluation board features a PWM input terminal for connecting an external digital PWM signal. JP1 connector is used to connect or disconnect a 100k ohm pull up resistor (R3) to the PWM input. Apply a digital PWM signal with a 0.8V logic-low (or less) and a 2.1V logic high (or greater) level, and frequencies from 4kHz to 100kHz. To adjust the HB LED brightness, vary the signal duty cycle from 0 to 100.

Caution: If JP1 is "ON" the PWM pin will be pulled up to the input VCC which can be up to 53V.

IS31LT3117 53V, 350MA, 4-CHANNEL CONSTANT CURRENT REGULATOR WITH OTP

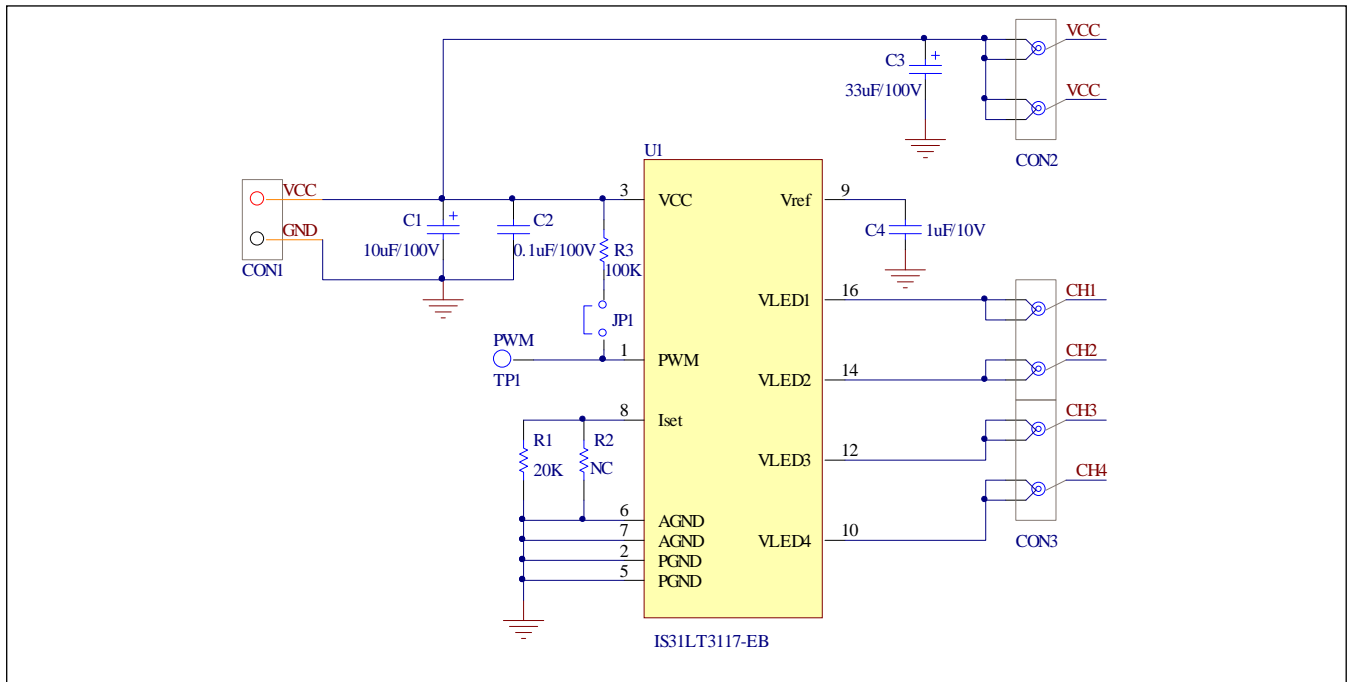


Figure 2: IS31LT3117 Application Schematic

BILL OF MATERIALS

Name	Symbol	Description	Qty	Supplier	Part No.
LED Driver	U1	Constant current LED driver	1	Lumissil	IS31LT3117
Resistor	R1	RES,20k,1/10W,±1%,SMD	1	YAGEO	RC0805FR-0720KL
Resistor	R2	NC	1		
Resistor	R3	RES,100k,1/10W,±5%,SMD	1	YAGEO	RC0805JR-07100KL
Capacitor	C1	CAP,10µF,100V,±20%,SMD	1		
Capacitor	C2	CAP, 0.1µF,100V,±10%,SMD	1	YAGEO	CC1206DKX7R0BB104
Capacitor	C3	CAP,33µF,100V,±20%,SMD	1		
Capacitor	C4	CAP, 1µF,10V,±10%,SMD	1	YAGEO	CC0805DKX7R6BB105
Jumper	JP1	2.54mm Jumper	1		
Connector	CON1,CON2,CON3	DC connector	3		

Bill of materials, refer to Figure 2 above.

IS31LT3117 53V, 350MA, 4-CHANNEL CONSTANT CURRENT REGULATOR WITH OTP

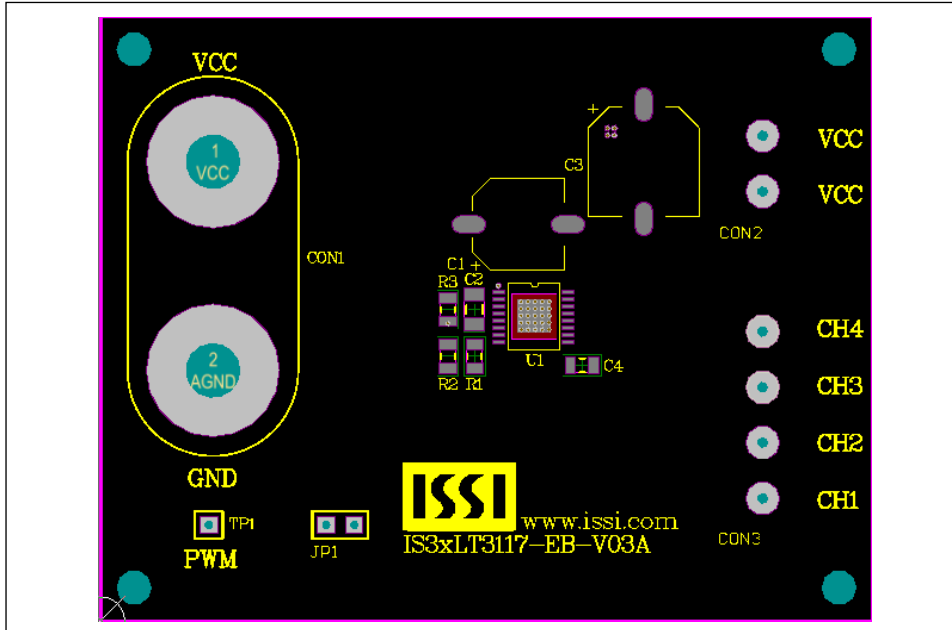


Figure 3: Board Component Placement Guide -Top Layer

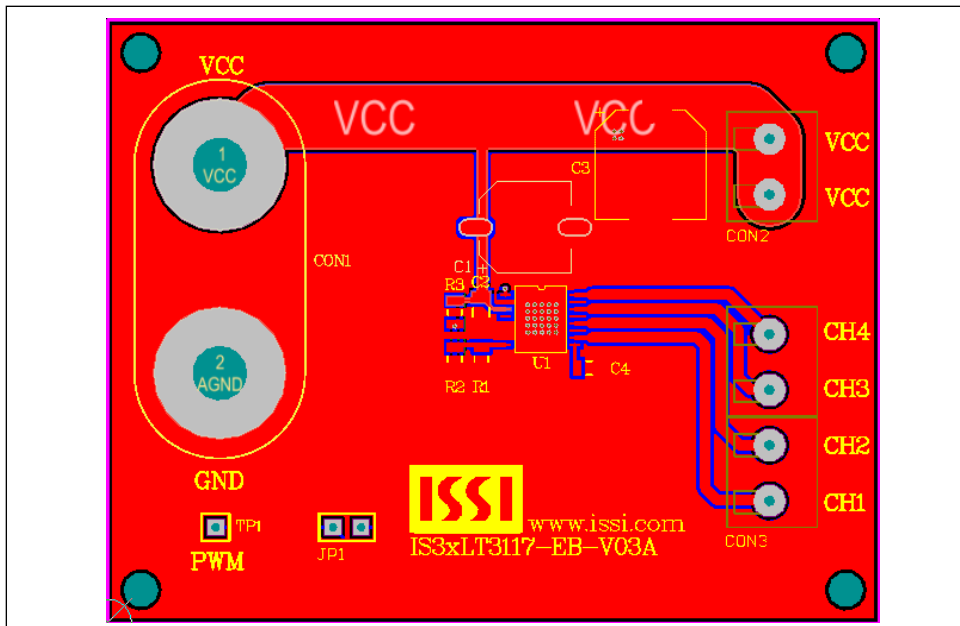


Figure 4: Board PCB Layout- Top Layer

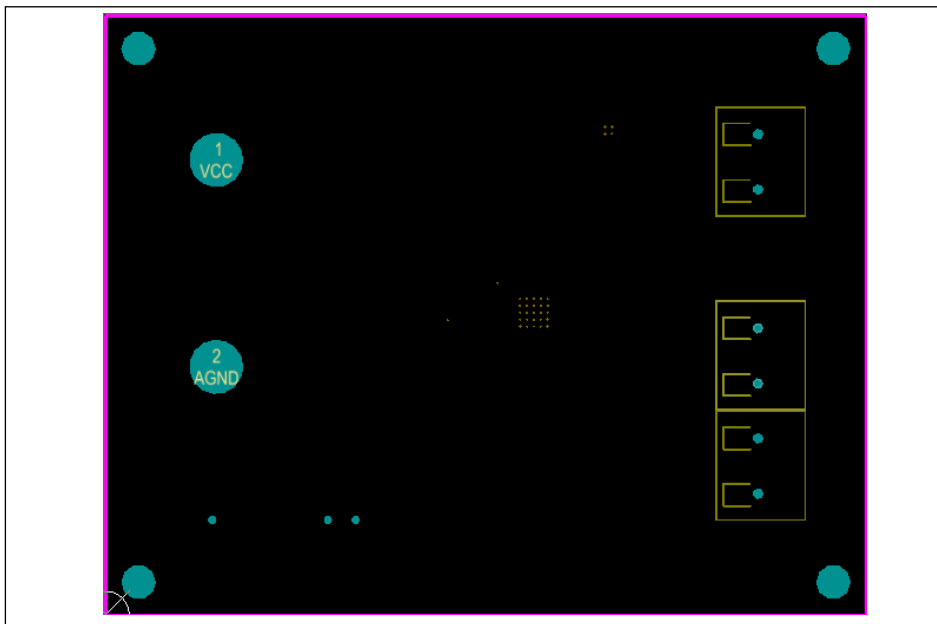


Figure 5: Board Component Placement Guide -Bottom Layer

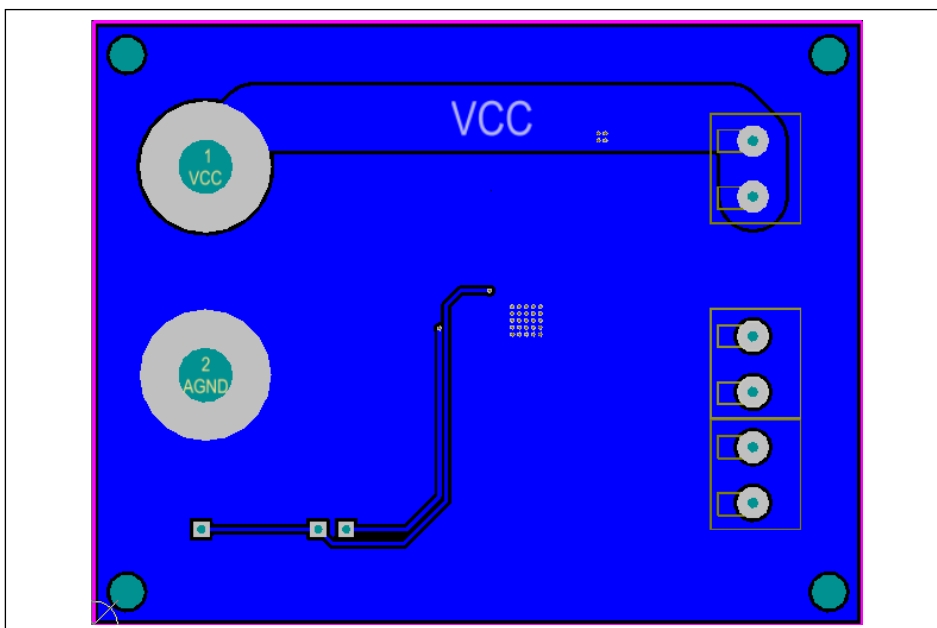


Figure 6: Board PCB Layout-Bottom Layer

Copyright © 2014 Lumissil Microsystems. All rights reserved. Lumissil Microsystems reserves the right to make changes to this specification and its products at any time without notice. Lumissil Microsystems assumes no liability arising out of the application or use of any information, products or services described herein. Customers are advised to obtain the latest version of this device specification before relying on any published information and before placing orders for products.

Lumissil Microsystems does not recommend the use of any of its products in life support applications where the failure or malfunction of the product can reasonably be expected to cause failure of the life support system or to significantly affect its safety or effectiveness. Products are not authorized for use in such applications unless Lumissil Microsystems receives written assurance to its satisfaction, that:

- a.) the risk of injury or damage has been minimized;
- b.) the user assume all such risks; and
- c.) potential liability of Lumissil Microsystems is adequately protected under the circumstances