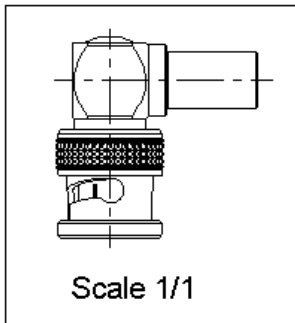
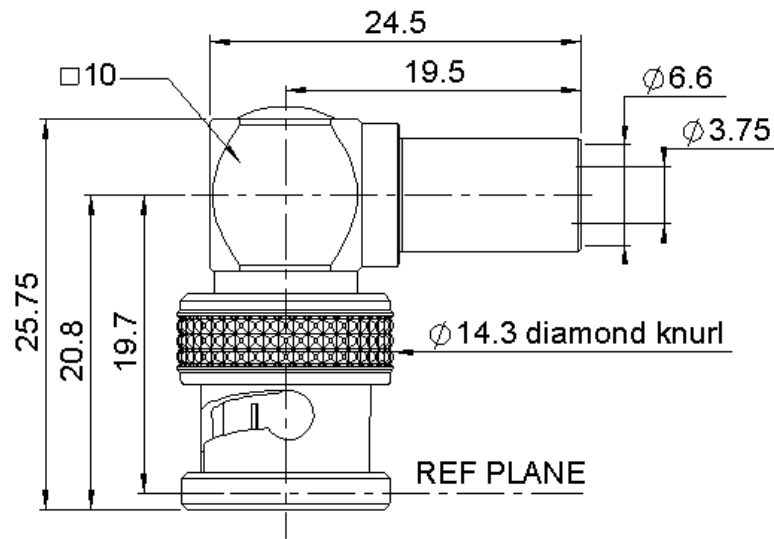
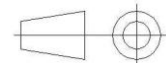
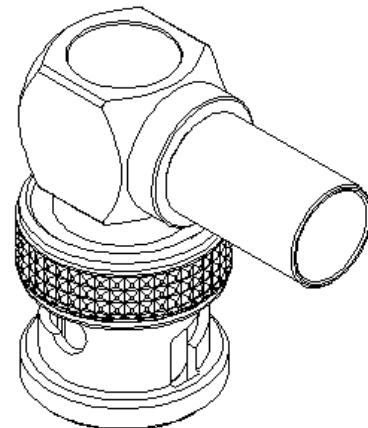


PAGE 1/2	ISSUE 03-03-17B	SERIES BNC 75 HDTV	PART NUMBER R142187720
----------	-----------------	--------------------	------------------------



All dimensions are in mm.



COMPONENTS	MATERIALS	PLATING (µm)
Body	<b>BRASS</b>	<b>BBR</b>
Center contact	<b>BRASS</b>	<b>NPGR</b>
Outer contact	<b>BRASS</b>	<b>NPGR</b>
Insulator	<b>PTFE</b>	
Gasket	<b>SILICONE RUBBER</b>	
Others parts	<b>BRASS</b>	<b>BBR</b>
-	-	-
-	-	-

PAGE <b>2/2</b>	ISSUE <b>03-03-17B</b>	SERIES <b>BNC 75 HDTV</b>	PART NUMBER <b>R142187720</b>
-----------------	------------------------	---------------------------	-------------------------------

### PACKAGING

Standard	Unit	Other
<b>100</b>	<b>Contact us</b>	<b>Contact us</b>

### ELECTRICAL CHARACTERISTICS

Impedance	<b>75</b>	Ω
Frequency	<b>DC-12</b>	GHz
VSWR	<b>1.05 + 0.0400</b>	x F(GHz) Maxi
Insertion loss	<b>0.15</b>	√F(GHz) dB Maxi
RF leakage	<b>NA</b>	- F(GHz)) dB Maxi
Voltage rating	<b>500</b>	Veff Maxi
Dielectric withstanding voltage	<b>1500</b>	Veff mini
Insulation resistance	<b>5000</b>	MΩ mini

### MECHANICAL CHARACTERISTICS

Center contact retention		
Axial force – Mating End	<b>10</b>	N mini
Axial force – Opposite end	<b>10</b>	N mini
Torque	<b>NA</b>	N.cm mini
Recommended torque		
Mating	<b>NA</b>	N.cm
Panel nut	<b>NA</b>	N.cm
Clamp nut	<b>NA</b>	N.cm
A/F clamp nut	<b>0.0000</b>	mm
Mating life	<b>1000</b>	Cycles mini
Weight	<b>16.3670</b>	g

### ENVIRONMENTAL

Operating temperature	<b>-65/+165</b>	°C
Hermetic seal	<b>NA</b>	Atm.cm3/s
Panel leakage	<b>NA</b>	

### SPECIFICATION

### CABLE ASSEMBLY

Stripping	a	b	c	d	e	f
mm	<b>2</b>	<b>7.5</b>	<b>16</b>	<b>0</b>	<b>14</b>	<b>0</b>

Assembly instruction: **Crimp 05**

Recommended cable(s)  
**DRAKA 0.8/3.7**  
**BELDEN 1505A**  
**CAE HD 08370**

Characteristics indicated on this data sheet are those that can be achieved with the highest performance cable. Intrinsic limitations of the cable may diminish the performance of the assembly

Cable retention

- pull off	<b>136</b>	N mini
- torque	<b>NA</b>	N.cm

### TOOLING

Part Number	Description	Hexagon
R282235013	CRIMPING DIES	6.48
R282249000		6.48
R282293000	CRIMPING TOOL M22520/5-01	
R282223000	CRIMPING TOOL	6.48

### OTHER CHARACTERISTICS

**Data speed rate up to 12.5Gb/s**