

**Specification Status: RELEASED**

**Electrical Rating**

**Voltage: 16V<sub>DC</sub> MAX**  
**Current: 100A MAX**

**INSULATING MATERIAL:**

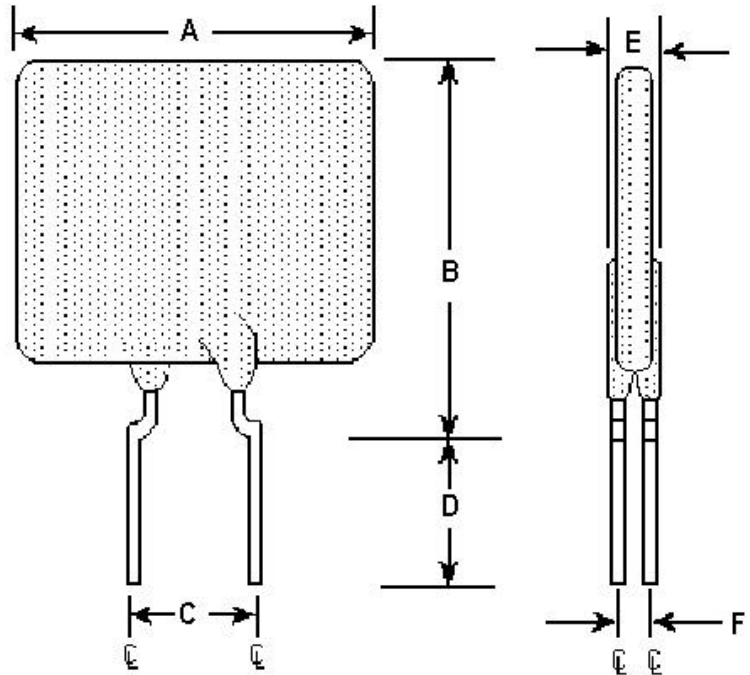
Cured, Flame Retarded Epoxy Polymer  
 meets UL94 V-0 Requirements

**LEAD MATERIAL:**

20 AWG Tin/Lead Plated Copper  
 (0.8 mm [0.032] nom. diameter)

**PART MARKING:**

- Raychem Logo and Voltage
- ⊗ 16
- H4.5 — Part Identification
- — Lot Identification (can be on back)



**TABLE I. DIMENSIONS:**

	A		B		C		D		E		F
	MIN	MAX	MIN	MAX	MIN	MAX	MIN	MAX	MIN	MAX	TYP
mm:	--	10.4	--	15.6	4.3	5.8	7.6	--	--	3.0	1.2
in*:	--	(0.41)	--	(0.61)	(0.17)	(0.23)	(0.30)	--	--	(0.12)	(0.05)

\*Rounded off approximation

**TABLE II. PERFORMANCE RATINGS:**

I HOLD	CURRENT TRIP LIMITS						TIME TO TRIP	RESISTANCE		TRIPPED-STATE POWER DISSIPATION
	AMPS AT 0°C		AMPS AT 25°C		AMPS AT 60°C			OHMS AT 25°C		
25°C	HOLD	TRIP	HOLD	TRIP	HOLD	TRIP	SECONDS AT 25°C, 22.5 A	MIN	MAX	WATTS AT 25°C, 16V
							MAX			TYP
4.5	--	--	4.5	7.8	--	--	3.0	0.022	0.054	3.6

Recognitions: UL, TUV, CSA recognized.  
 Reference Documents: PS300  
 Precedence: This specification takes precedence over documents referenced herein.  
 Effectivity: Reference documents shall be the issue in effect on the date of invitation for bid.  
 CAUTION: Operation beyond the rated voltage or current may result in rupture, electrical arcing or flame.